

ARDUINO

tutorialspoint

SIMPLY EASY LEARNING

www.tutorialspoint.com



<https://www.facebook.com/tutorialspointindia>



<https://twitter.com/tutorialspoint>

About the Tutorial

Arduino is a prototype platform (open-source) based on an easy-to-use hardware and software. It consists of a circuit board, which can be programmed (referred to as a microcontroller) and a ready-made software called Arduino IDE (Integrated Development Environment), which is used to write and upload the computer code to the physical board.

Arduino provides a standard form factor that breaks the functions of the micro-controller into a more accessible package.

Audience

This tutorial is intended for enthusiastic students or hobbyists. With Arduino, one can get to know the basics of micro-controllers and sensors very quickly and can start building prototype with very little investment.

Prerequisites

Before you start proceeding with this tutorial, we assume that you are already familiar with the basics of C and C++. If you are not well aware of these concepts, then we will suggest you go through our short tutorials on C and C++. A basic understanding of microcontrollers and electronics is also expected.

Copyright & Disclaimer

© Copyright 2016 by Tutorials Point (I) Pvt. Ltd.

All the content and graphics published in this e-book are the property of Tutorials Point (I) Pvt. Ltd. The user of this e-book is prohibited to reuse, retain, copy, distribute or republish any contents or a part of contents of this e-book in any manner without written consent of the publisher.

We strive to update the contents of our website and tutorials as timely and as precisely as possible, however, the contents may contain inaccuracies or errors. Tutorials Point (I) Pvt. Ltd. provides no guarantee regarding the accuracy, timeliness or completeness of our website or its contents including this tutorial. If you discover any errors on our website or in this tutorial, please notify us at contact@tutorialspoint.com

Table of Contents

About the Tutorial	i
Audience.....	i
Prerequisites.....	i
Copyright & Disclaimer	i
Table of Contents	ii
ARDUINO – BASICS.....	1
1. Arduino – Overview	2
Board Types.....	3
2. Arduino – Board Description.....	6
3. Arduino – Installation	9
4. Arduino – Program Structure	17
5. Arduino – Data Types.....	19
void	19
Boolean.....	19
Char	20
unsigned char	21
byte.....	21
int	21
Unsigned int	21
Word.....	21
Long	22
unsigned long	22
short	22
float	22
double.....	23
6. Arduino – Variables & Constants	24
What is Variable Scope?	24
7. Arduino – Operators	26
Arithmetic Operators.....	26
Comparison Operators	27
Boolean Operators	29
Bitwise Operators.....	30
Compound Operators.....	31
8. Arduino – Control Statements.....	33
if statement	34
If ...else statement	35
if...else if ...else statement.....	37
Switch Case Statement	39
Conditional Operator ? :	41
Rules of Conditional Operator	41
9. Arduino – Loops.....	42

while loop	42
do...while loop	43
for loop	44
Nested Loop	45
Infinite loop	45
10. Arduino - Functions.....	47
Function Declaration	48
11. Arduino – Strings	51
String Character Arrays.....	51
Manipulating String Arrays.....	52
Functions to Manipulate String Arrays	54
Array Bounds	58
12. Arduino – String Object.....	59
What is an Object?	59
When to Use a String Object	61
13. Arduino – Time	62
delay() function	62
delayMicroseconds() function	63
millis() function.....	63
micros() function	64
14. Arduino – Arrays.....	66
Declaring Arrays	67
Examples Using Arrays	67
Arduino – Passing Arrays to Functions	70
Multidimensional Arrays	73
ARDUINO – FUNCTION LIBRARIES.....	78
15. Arduino – I/O Functions.....	79
Pins Configured as INPUT	79
Pull-up Resistors	79
Pins Configured as OUTPUT.....	80
pinMode() Function.....	80
digitalWrite() Function	81
analogRead() function	82
16. Arduino – Advanced I/O Function	84
analogReference() Function	84
17. Arduino – Character Functions.....	86
Examples.....	87
18. Arduino – Math Library.....	93
Library Macros.....	93
Library Functions	95
Example	99
19. Arduino – Trigonometric Functions.....	101

ARDUINO – ADVANCED	102
20. Arduino – Due & Zero	103
Arduino Zero.....	104
21. Arduino – Pulse Width Modulation	106
Basic Principle of PWM.....	106
analogWrite() Function.....	107
22. Arduino – Random Numbers.....	109
randomSeed (seed)	109
random().....	109
Bits	110
Bytes	110
23. Arduino – Interrupts	112
Types of Interrupts	113
24. Arduino – Communication	115
Parallel Communication	115
Serial Communication Modules	115
Types of Serial Communications	116
Arduino UART	117
25. Arduino – Inter Integrated Circuit	119
Board I2C Pins.....	119
Arduino I2C.....	119
Master Transmitter / Slave Receiver	120
Master Receiver / Slave Transmitter	121
26. Arduino – Serial Peripheral Interface	123
Board SPI Pins.....	123
SPI as MASTER	124
SPI as SLAVE.....	125
ARDUINO – PROJECTS	127
27. Arduino – Blinking LED.....	128
28. Arduino – Fading LED	132
29. Arduino – Reading Analog Voltage.....	137
30. Arduino – LED Bar Graph.....	141
31. Arduino – Keyboard Logout	145
32. Arduino – Keyboard Message	151
33. Arduino – Mouse Button Control	154
34. Arduino – Keyboard Serial	158

ARDUINO – SENSORS 161

35. Arduino – Humidity Sensor 162

36. Arduino – Temperature Sensor 168

37. Arduino – Water Detector / Sensor 171

38. Arduino – PIR Sensor 174

39. Arduino – Ultrasonic Sensor 179

40. Arduino – Connecting Switch 183

ARDUINO – MOTOR CONTROL..... 187

41. Arduino – DC Motor 188
 Motor Speed Control..... 190
 Spin Direction Control 192

42. Arduino – Servo Motor 196

43. Arduino – Stepper Motor 201

ARDUINO AND SOUND 205

44. Arduino – Tone Library 206

45. Arduino – Wireless Communication 212

46. Arduino – Network Communication..... 217

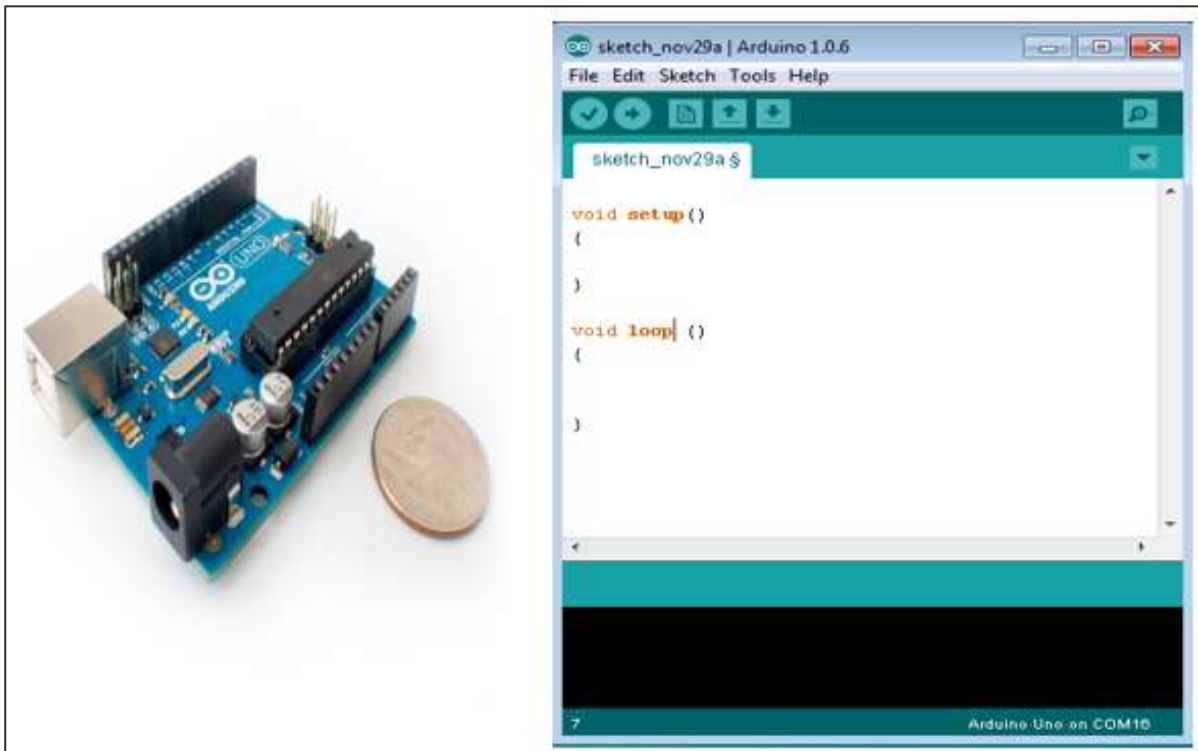
Arduino – Basics

1. Arduino – Overview

Arduino is a prototype platform (open-source) based on an easy-to-use hardware and software. It consists of a circuit board, which can be programmed (referred to as a microcontroller) and a ready-made software called Arduino IDE (Integrated Development Environment), which is used to write and upload the computer code to the physical board.

The key features are:

- Arduino boards are able to read analog or digital input signals from different sensors and turn it into an output such as activating a motor, turning LED on/off, connect to the cloud and many other actions.
- You can control your board functions by sending a set of instructions to the microcontroller on the board via Arduino IDE (referred to as uploading software).
- Unlike most previous programmable circuit boards, Arduino does not need an extra piece of hardware (called a programmer) in order to load a new code onto the board. You can simply use a USB cable.
- Additionally, the Arduino IDE uses a simplified version of C++, making it easier to learn to program.
- Finally, Arduino provides a standard form factor that breaks the functions of the micro-controller into a more accessible package.



Board Types

Various kinds of Arduino boards are available depending on different microcontrollers used. However, all Arduino boards have one thing in common: they are programmed through the Arduino IDE.

The differences are based on the number of inputs and outputs (the number of sensors, LEDs, and buttons you can use on a single board), speed, operating voltage, form factor etc. Some boards are designed to be embedded and have no programming interface (hardware), which you would need to buy separately. Some can run directly from a 3.7V battery, others need at least 5V.

Here is a list of different Arduino boards available.

Arduino boards based on ATMEGA328 microcontroller

Board Name	Operating Volt	Clock Speed	Digital i/o	Analog Inputs	PWM	UART	Programming Interface
Arduino Uno R3	5V	16MHz	14	6	6	1	USB via ATmega16U2
Arduino Uno R3 SMD	5V	16MHz	14	6	6	1	USB via ATmega16U2
Red Board	5V	16MHz	14	6	6	1	USB via FTDI
Arduino Pro 3.3v/8 MHz	3.3V	8 MHz	14	6	6	1	FTDI- Compatible Header
Arduino Pro 5V/16MHz	5V	16MHz	14	6	6	1	FTDI- Compatible Header
Arduino mini 05	5V	16MHz	14	8	6	1	FTDI- Compatible Header
Arduino Pro mini 3.3v/8mhz	3.3V	8MHz	14	8	6	1	FTDI- Compatible Header
Arduino Pro mini 5v/16mhz	5V	16MHz	14	8	6	1	FTDI- Compatible Header
Arduino Ethernet	5V	16MHz	14	6	6	1	FTDI- Compatible Header
Arduino Fio	3.3V	8MHz	14	8	6	1	FTDI- Compatible Header
LilyPad Arduino 328 main board	3.3V	8MHz	14	6	6	1	FTDI- Compatible Header
LilyPad Arduino simply board	3.3V	8MHz	9	4	5	0	FTDI- Compatible Header

Arduino boards based on ATMEGA32u4 microcontroller

Board Name	Operating Volt	Clock Speed	Digital i/o	Analog Inputs	PWM	UART	Programming Interface
Arduino Leonardo	5V	16MHz	20	12	7	1	Native USB
Pro micro 5V/16MHz	5V	16MHz	14	6	6	1	Native USB
Pro micro 3.3V/8MHz	5V	16MHz	14	6	6	1	Native USB
LilyPad Arduino USB	3.3V	8MHz	14	6	6	1	Native USB

Arduino boards based on ATMEGA2560 microcontroller

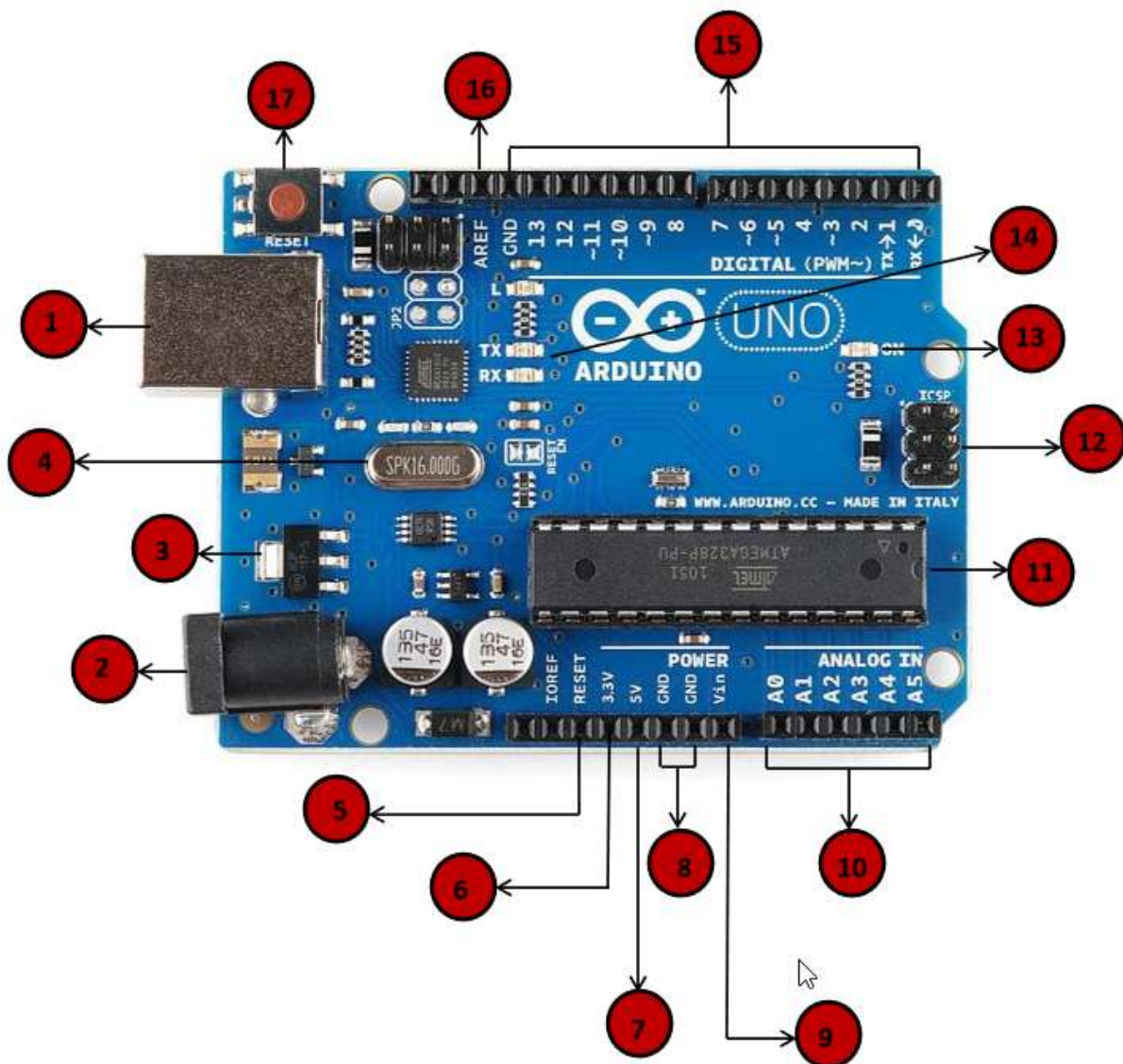
Board Name	Operating Volt	Clock Speed	Digital i/o	Analog Inputs	PWM	UART	Programming Interface
Arduino Mega 2560 R3	5V	16MHz	54	16	14	4	USB via ATmega16U2
Mega Pro 3.3V	3.3V	8MHz	54	16	14	4	FTDI-Compatible Header
Mega Pro 5V	5V	16MHz	54	16	14	4	FTDI-Compatible Header
Mega Pro Mini 3.3V	3.3V	8MHz	54	16	14	4	FTDI-Compatible Header

Arduino boards based on AT91SAM3X8E microcontroller

Board Name	Operating Volt	Clock Speed	Digital i/o	Analog Inputs	PWM	UART	Programming Interface
Arduino Due	3.3V	84MHz	54	12	12	4	USB native

2. Arduino – Board Description

In this chapter, we will learn about the different components on the Arduino board. We will study the Arduino UNO board because it is the most popular board in the Arduino board family. In addition, it is the best board to get started with electronics and coding. Some boards look a bit different from the one given below, but most Arduinos have majority of these components in common.



Power USB

Arduino board can be powered by using the USB cable from your computer. All you need to do is connect the USB cable to the USB connection (1).

2

Power (Barrel Jack)

Arduino boards can be powered directly from the AC mains power supply by connecting it to the Barrel Jack (2).

3

Voltage Regulator

The function of the voltage regulator is to control the voltage given to the Arduino board and stabilize the DC voltages used by the processor and other elements.

4

Crystal Oscillator

The crystal oscillator helps Arduino in dealing with time issues. How does Arduino calculate time? The answer is, by using the crystal oscillator. The number printed on top of the Arduino crystal is 16.000H9H. It tells us that the frequency is 16,000,000 Hertz or 16 MHz.

5,17

Arduino Reset

You can reset your Arduino board, i.e., start your program from the beginning. You can reset the UNO board in two ways. First, by using the reset button (17) on the board. Second, you can connect an external reset button to the Arduino pin labelled RESET (5).

6,7
8,9**Pins (3.3, 5, GND, V_{in})**

- 3.3V (6): Supply 3.3 output volt
- 5V (7): Supply 5 output volt
- Most of the components used with Arduino board works fine with 3.3 volt and 5 volt.
- GND (8)(Ground): There are several GND pins on the Arduino, any of which can be used to ground your circuit.
- V_{in} (9): This pin also can be used to power the Arduino board from an external power source, like AC mains power supply.

10

Analog pins

The Arduino UNO board has five analog input pins A0 through A5. These pins can read the signal from an analog sensor like the humidity sensor or temperature sensor and convert it into a digital value that can be read by the microprocessor.



Main microcontroller

Each Arduino board has its own microcontroller (11). You can assume it as the brain of your board. The main IC (integrated circuit) on the Arduino is slightly different from board to board. The microcontrollers are usually of the ATMEL Company. You must know what IC your board has before loading up a new program from the Arduino IDE. This information is available on the top of the IC. For more details about the IC construction and functions, you can refer to the data sheet.



ICSP pin

Mostly, ICSP (12) is an AVR, a tiny programming header for the Arduino consisting of MOSI, MISO, SCK, RESET, VCC, and GND. It is often referred to as an SPI (Serial Peripheral Interface), which could be considered as an "expansion" of the output. Actually, you are slaving the output device to the master of the SPI bus.



Power LED indicator

This LED should light up when you plug your Arduino into a power source to indicate that your board is powered up correctly. If this light does not turn on, then there is something wrong with the connection.



TX and RX LEDs

On your board, you will find two labels: TX (transmit) and RX (receive). They appear in two places on the Arduino UNO board. First, at the digital pins 0 and 1, to indicate the pins responsible for serial communication. Second, the TX and RX led (13). The TX led flashes with different speed while sending the serial data. The speed of flashing depends on the baud rate used by the board. RX flashes during the receiving process.



Digital I / O

The Arduino UNO board has 14 digital I/O pins (15) (of which 6 provide PWM (Pulse Width Modulation) output. These pins can be configured to work as input digital pins to read logic values (0 or 1) or as digital output pins to drive different modules like LEDs, relays, etc. The pins labeled "~" can be used to generate PWM.



AREF

AREF stands for Analog Reference. It is sometimes, used to set an external reference voltage (between 0 and 5 Volts) as the upper limit for the analog input pins.

3. Arduino – Installation

After learning about the main parts of the Arduino UNO board, we are ready to learn how to set up the Arduino IDE. Once we learn this, we will be ready to upload our program on the Arduino board.

In this section, we will learn in easy steps, how to set up the Arduino IDE on our computer and prepare the board to receive the program via USB cable.

Step 1: First you must have your Arduino board (you can choose your favorite board) and a USB cable. In case you use Arduino UNO, Arduino Duemilanove, Nano, Arduino Mega 2560, or Diecimila, you will need a standard USB cable (A plug to B plug), the kind you would connect to a USB printer as shown in the following image.

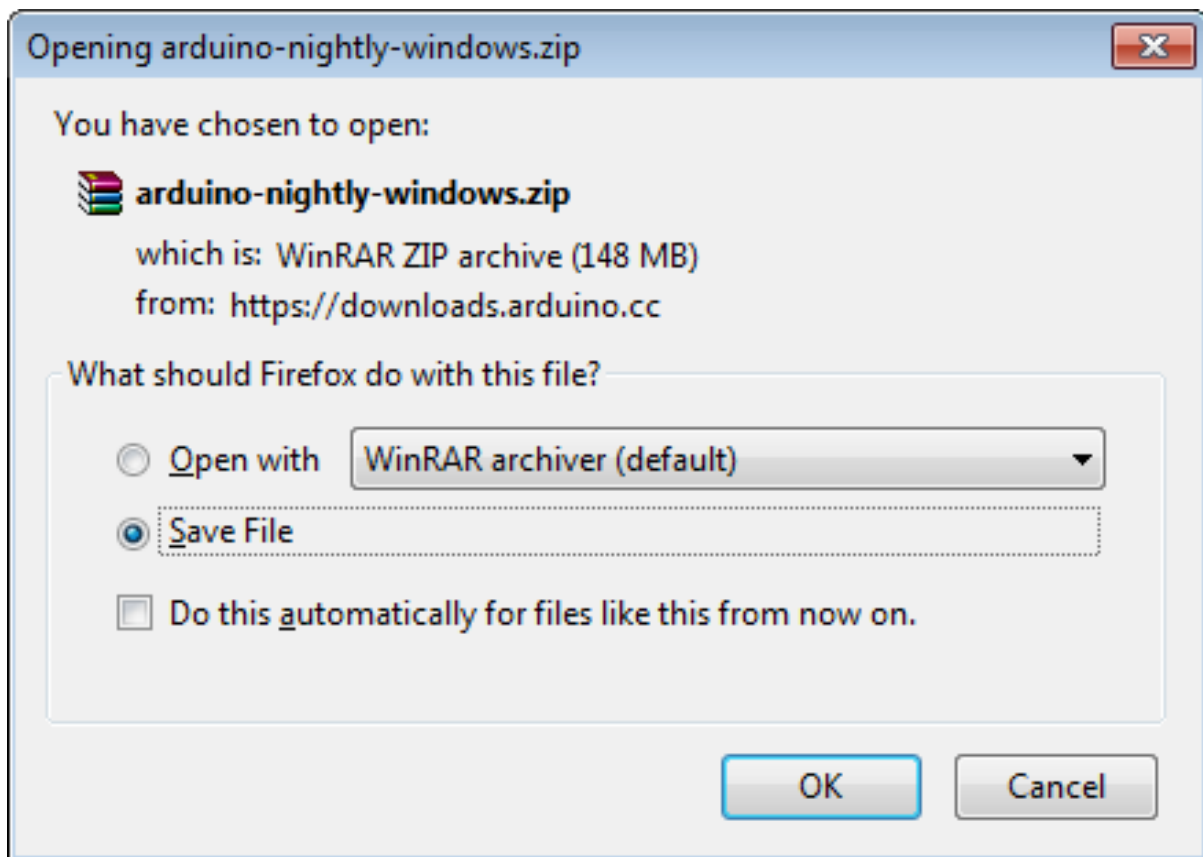


In case you use Arduino Nano, you will need an A to Mini-B cable instead as shown in the following image.



Step 2: Download Arduino IDE Software.

You can get different versions of Arduino IDE from the [Download page](#) on the Arduino Official website. You must select your software, which is compatible with your operating system (Windows, IOS, or Linux). After your file download is complete, unzip the file.



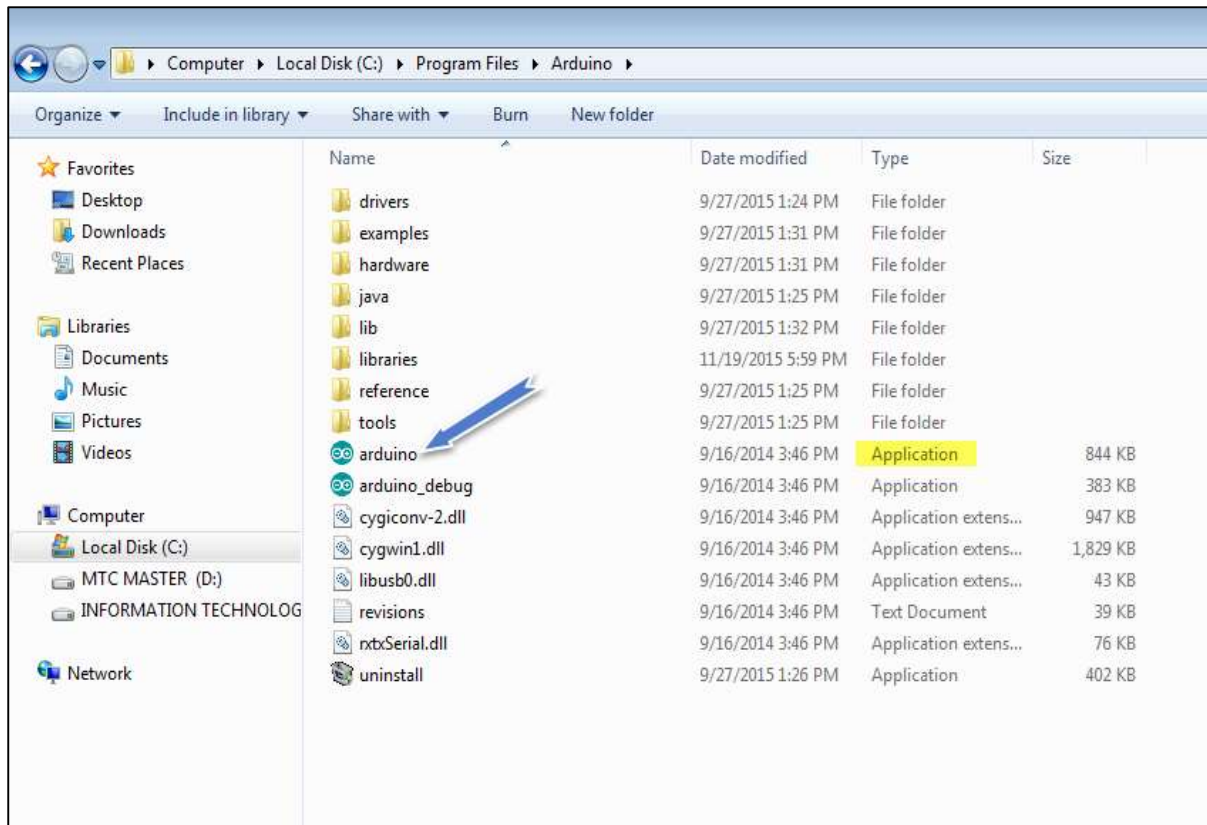
Step 3: Power up your board.

The Arduino Uno, Mega, Duemilanove and Arduino Nano automatically draw power from either, the USB connection to the computer or an external power supply. If you are using an Arduino Diecimila, you have to make sure that the board is configured to draw power from the USB connection. The power source is selected with a jumper, a small piece of plastic that fits onto two of the three pins between the USB and power jacks. Check that it is on the two pins closest to the USB port.

Connect the Arduino board to your computer using the USB cable. The green power LED (labeled PWR) should glow.

Step 4: Launch Arduino IDE.

After your Arduino IDE software is downloaded, you need to unzip the folder. Inside the folder, you can find the application icon with an infinity label (application.exe). Double-click the icon to start the IDE.

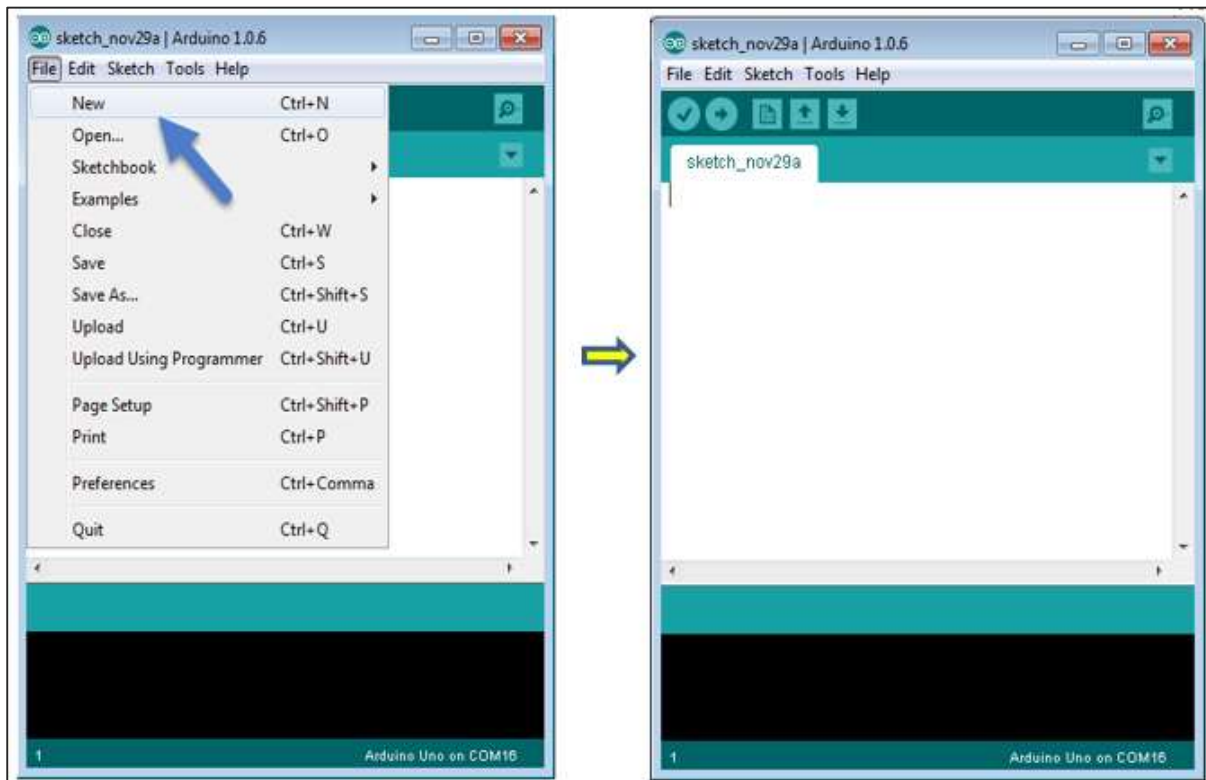


Step 5: Open your first project.

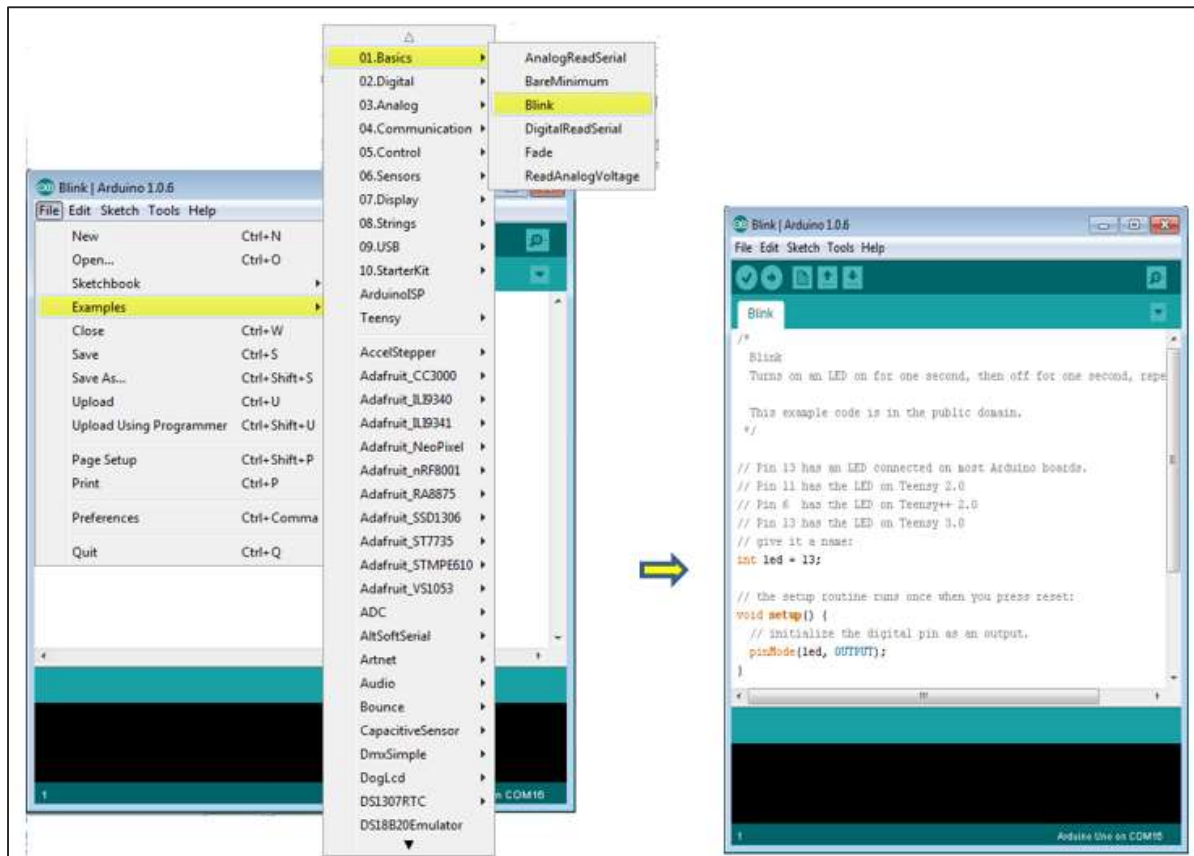
Once the software starts, you have two options:

- Create a new project.
- Open an existing project example.

To create a new project, select File --> New.



To open an existing project example, select File -> Example -> Basics -> Blink.

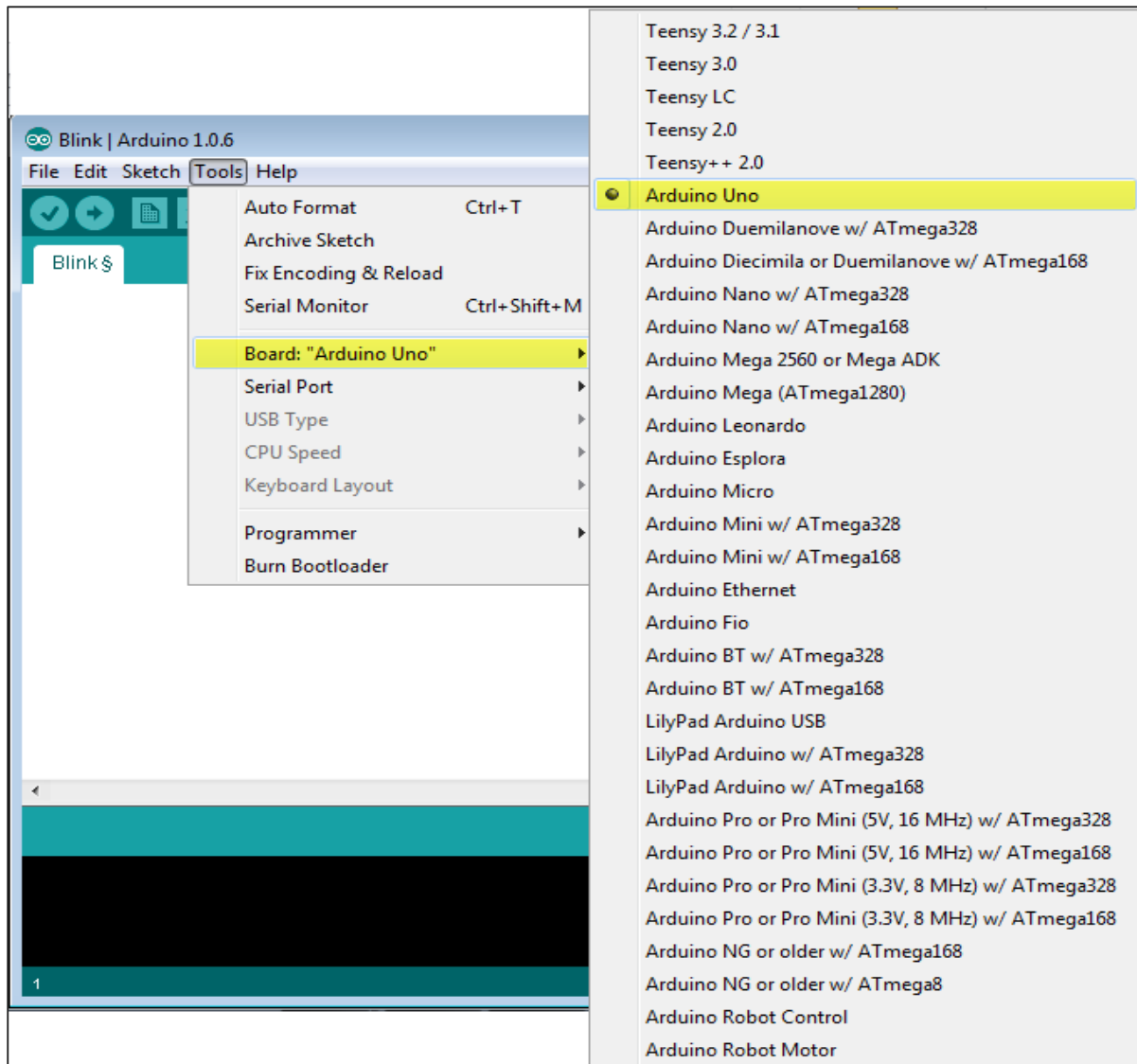


Here, we are selecting just one of the examples with the name **Blink**. It turns the LED on and off with some time delay. You can select any other example from the list.

Step 6: Select your Arduino board.

To avoid any error while uploading your program to the board, you must select the correct Arduino board name, which matches with the board connected to your computer.

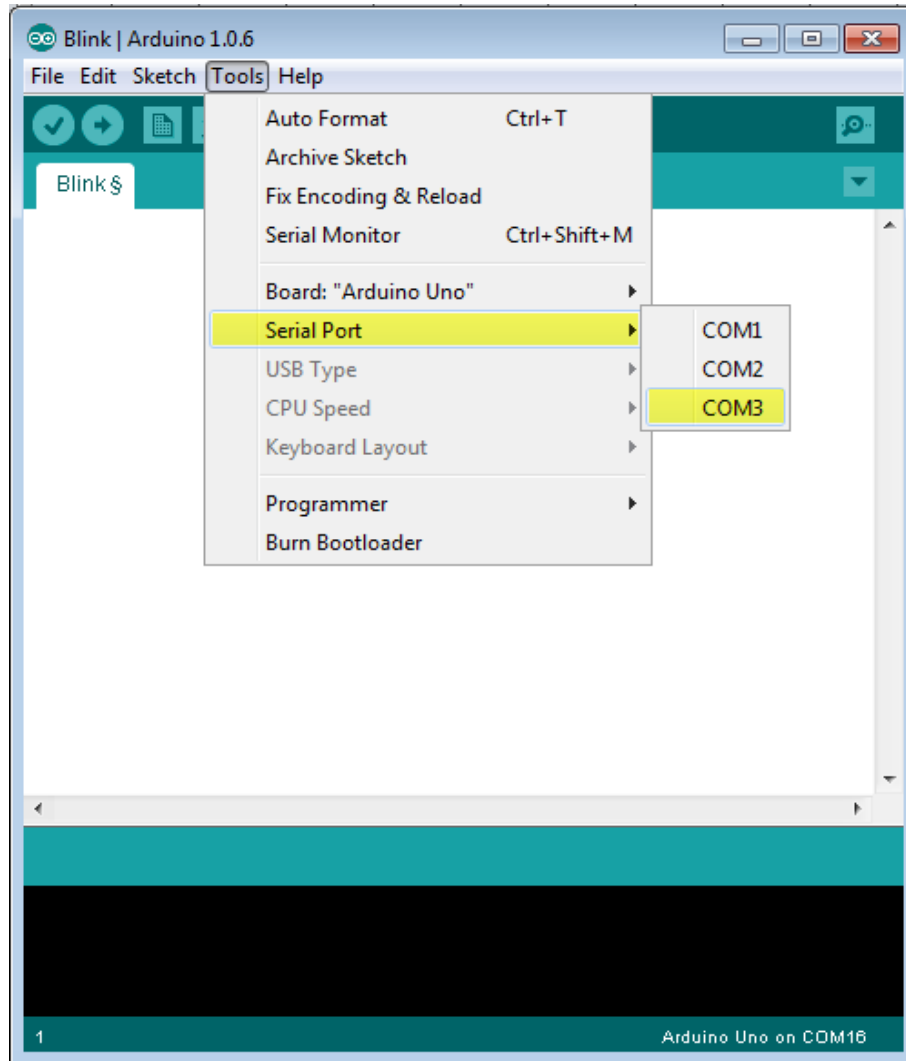
Go to Tools -> Board and select your board.



Here, we have selected Arduino Uno board according to our tutorial, but you must select the name matching the board that you are using.

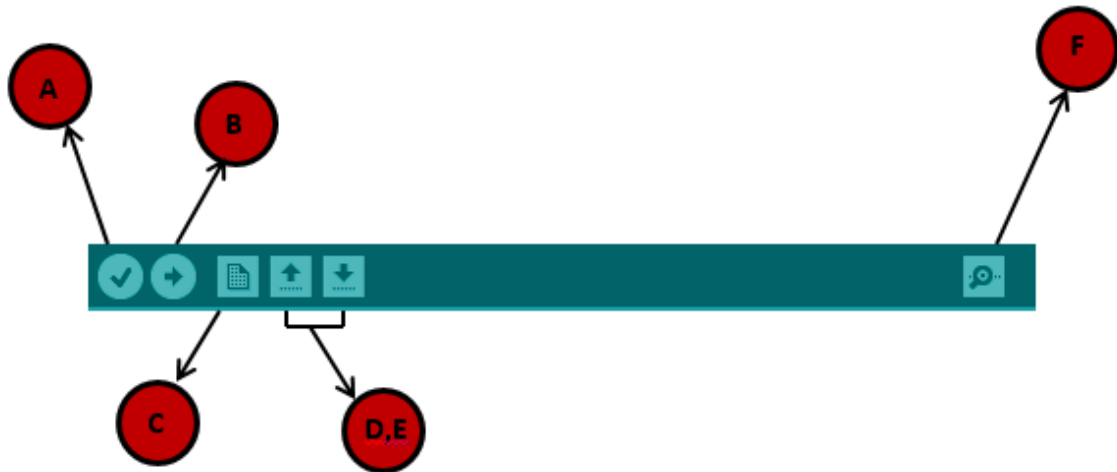
Step 7: Select your serial port.

Select the serial device of the Arduino board. Go to **Tools** -> **Serial Port** menu. This is likely to be COM3 or higher (COM1 and COM2 are usually reserved for hardware serial ports). To find out, you can disconnect your Arduino board and re-open the menu, the entry that disappears should be of the Arduino board. Reconnect the board and select that serial port.



Step 8: Upload the program to your board.

Before explaining how we can upload our program to the board, we must demonstrate the function of each symbol appearing in the Arduino IDE toolbar.



- A-** Used to check if there is any compilation error.
- B-** Used to upload a program to the Arduino board.
- C-** Shortcut used to create a new sketch.
- D-** Used to directly open one of the example sketch.
- E-** Used to save your sketch.
- F-** Serial monitor used to receive serial data from the board and send the serial data to the board.

Now, simply click the "Upload" button in the environment. Wait a few seconds; you will see the RX and TX LEDs on the board, flashing. If the upload is successful, the message "Done uploading" will appear in the status bar.

Note: If you have an Arduino Mini, NG, or other board, you need to press the reset button physically on the board, immediately before clicking the upload button on the Arduino Software.

4. Arduino – Program Structure

In this chapter, we will study in depth, the Arduino program structure and we will learn more new terminologies used in the Arduino world. The Arduino software is open-source. The source code for the Java environment is released under the GPL and the C/C++ microcontroller libraries are under the LGPL.

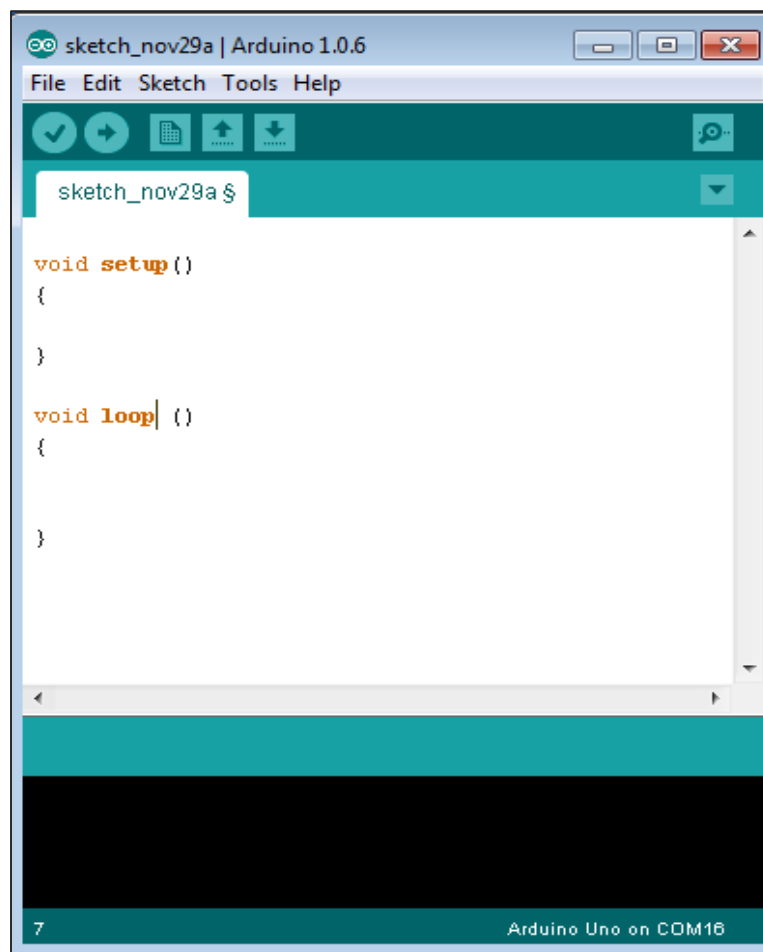
Sketch: The first new terminology is the Arduino program called “**sketch**”.

Structure

Arduino programs can be divided in three main parts: **Structure**, **Values** (variables and constants), and **Functions**. In this tutorial, we will learn about the Arduino software program, step by step, and how we can write the program without any syntax or compilation error.

Let us start with the **Structure**. Software structure consist of two main functions:

- Setup() function
- Loop() function



```
sketch_nov29a | Arduino 1.0.6
File Edit Sketch Tools Help
sketch_nov29a $
void setup()
{
}
void loop() ()
{
}
7 Arduino Uno on COM16
```

```
Void setup ( )  
{  
  
}
```

- **PURPOSE:** The **setup()** function is called when a sketch starts. Use it to initialize the variables, pin modes, start using libraries, etc. The setup function will only run once, after each power up or reset of the Arduino board.
- **INPUT:** -
- **OUTPUT:** -
- **RETURN:** -

```
Void Loop ( )  
{  
  
}
```

- **PURPOSE:** After creating a **setup()** function, which initializes and sets the initial values, the **loop()** function does precisely what its name suggests, and loops consecutively, allowing your program to change and respond. Use it to actively control the Arduino board.
- **INPUT:** -
- **OUTPUT:** -
- **RETURN:** -

5. Arduino – Data Types

Data types in C refers to an extensive system used for declaring variables or functions of different types. The type of a variable determines how much space it occupies in the storage and how the bit pattern stored is interpreted.

The following table provides all the data types that you will use during Arduino programming.

void	Boolean	char	Unsigned char	byte	int	Unsigned int	word
long	Unsigned long	short	float	double	array	String-char array	String-object

void

The void keyword is used only in function declarations. It indicates that the function is expected to return no information to the function from which it was called.

Example

```
Void Loop ( )  
{  
    // rest of the code  
}
```

Boolean

A Boolean holds one of two values, true or false. Each Boolean variable occupies one byte of memory.

Example

```
boolean val = false ; // declaration of variable with type boolean and initialize it with false  
  
boolean state = true ; // declaration of variable with type boolean and initialize it with false
```

Char

A data type that takes up one byte of memory that stores a character value. Character literals are written in single quotes like this: 'A' and for multiple characters, strings use double quotes: "ABC".

However, characters are stored as numbers. You can see the specific encoding in the [ASCII chart](#). This means that it is possible to do arithmetic operations on characters, in which the ASCII value of the character is used. For example, 'A' + 1 has the value 66, since the ASCII value of the capital letter A is 65.

Example

```
Char chr_a = 'a' ;//declaration of variable with type char and initialize it
with character a

Char chr_c = 97 ;//declaration of variable with type char and initialize it
with character 97
```

ASCII Char Table

	0	1	2	3	4	5	6	7	8	9	A	B	C	D	E	F
0	NUL	SOH	STX	ETX	EOT	ENQ	ACK	BEL	BS	HT	LF	VT	FF	CR	SO	SI
1	DLE	DC1	DC2	DC3	DC4	NAK	SYN	ETB	CAN	EM	SUB	ESC	FS	GS	RS	US
2	SPC	!	"	#	\$	%	&	'	()	*	+	,	-	.	/
3	0	1	2	3	4	5	6	7	8	9	:	;	<	=	>	?
4	@	A	B	C	D	E	F	G	H	I	J	K	L	M	N	O
5	P	Q	R	S	T	U	V	W	X	Y	Z	[\]	^	_
6	`	a	b	c	d	e	f	g	h	i	j	k	l	m	n	o
7	p	q	r	s	t	u	v	w	x	y	z	{		}	~	DEL
8	€		,	f	"	...	†	‡	^	%oo	Š	<	œ		ž	
9		\	'	"	"	•	—	—	~	™	š	>	œ		ž	Ÿ
A		i	ç	£	¤	¥	¦	§	"	©	ª	«	¬	-	®	¯
B	°	±	²	³	´	µ	¶	·	¸	¹	º	»	¼	½	¾	¿
C	À	Á	Â	Ã	Ä	Å	Æ	Ç	È	É	Ê	Ë	Ì	Í	Î	Ï
D	Ð	Ñ	Ò	Ó	Ô	Õ	Ö	×	Ø	Ù	Ú	Û	Ü	Ý	Þ	ß
E	à	á	â	ã	ä	å	æ	ç	è	é	ê	ë	ì	í	î	ï
F	ð	ñ	ò	ó	ô	õ	ö	÷	ø	ù	ú	û	ü	ý	þ	ÿ

unsigned char

Unsigned char is an unsigned data type that occupies one byte of memory. The unsigned char data type encodes numbers from 0 to 255.

Example

```
Unsigned Char  chr_y = 121 ;      // declaration of variable with type Unsigned
char and initialize it with character  y
```

byte

A byte stores an 8-bit unsigned number, from 0 to 255.

Example

```
byte  m  = 25 ;//declaration of variable with type byte and initialize it with
25
```

int

Integers are the primary data-type for number storage. **int** stores a 16-bit (2-byte) value. This yields a range of -32,768 to 32,767 (minimum value of -2^{15} and a maximum value of $(2^{15}) - 1$).

The **int** size varies from board to board. On the Arduino Due, for example, an **int** stores a 32-bit (4-byte) value. This yields a range of -2,147,483,648 to 2,147,483,647 (minimum value of -2^{31} and a maximum value of $(2^{31}) - 1$).

Example

```
int counter = 32 ;// declaration of variable with type int and initialize it with
32
```

Unsigned int

Unsigned ints (unsigned integers) are the same as int in the way that they store a 2 byte value. Instead of storing negative numbers, however, they only store positive values, yielding a useful range of 0 to 65,535 ($2^{16}) - 1$). The Due stores a 4 byte (32-bit) value, ranging from 0 to 4,294,967,295 ($2^{32}) - 1$).

Example

```
Unsigned int counter= 60 ; // declaration of variable with type unsigned int and
initialize it with 60
```

Word

On the Uno and other ATMEGA based boards, a word stores a 16-bit unsigned number. On the Due and Zero, it stores a 32-bit unsigned number.

Example

```
word w = 1000 ;//declaration of variable with type word and initialize it with
1000
```

Long

Long variables are extended size variables for number storage, and store 32 bits (4 bytes), from 2,147,483,648 to 2,147,483,647.

Example

```
Long velocity= 102346 ;//declaration of variable with type Long and initialize
it with 102346
```

unsigned long

Unsigned long variables are extended size variables for number storage and store 32 bits (4 bytes). Unlike standard longs, unsigned longs will not store negative numbers, making their range from 0 to 4,294,967,295 ($2^{32} - 1$).

```
Unsigned Long velocity = 101006 ;// declaration of variable with type Unsigned
Long and initialize it with 101006
```

short

A short is a 16-bit data-type. On all Arduinos (ATMega and ARM based), a short stores a 16-bit (2-byte) value. This yields a range of -32,768 to 32,767 (minimum value of -2^{15} and a maximum value of $(2^{15}) - 1$).

```
short val= 13 ;//declaration of variable with type short and initialize it with
13
```

float

Data type for floating-point number is a number that has a decimal point. Floating-point numbers are often used to approximate the analog and continuous values because they have greater resolution than integers.

Floating-point numbers can be as large as $3.4028235E+38$ and as low as $3.4028235E+38$. They are stored as 32 bits (4 bytes) of information.

```
float num = 1.352; //declaration of variable with type float and initialize it
with 1.352
```

double

On the Uno and other ATMEGA based boards, Double precision floating-point number occupies four bytes. That is, the double implementation is exactly the same as the float, with no gain in precision. On the Arduino Due, doubles have 8-byte (64 bit) precision.

```
double num = 45.352 ;// declaration of variable with type double and initialize  
it with    45.352
```

6. Arduino – Variables & Constants

Before we start explaining the variable types, a very important subject we need to make sure, you fully understand is called the **variable scope**.

What is Variable Scope?

Variables in C programming language, which Arduino uses, have a property called scope. A scope is a region of the program and there are three places where variables can be declared. They are:

- Inside a function or a block, which is called **local variables**.
- In the definition of function parameters, which is called **formal parameters**.
- Outside of all functions, which is called **global variables**.

Local Variables

Variables that are declared inside a function or block are local variables. They can be used only by the statements that are inside that function or block of code. Local variables are not known to function outside their own. Following is the example using local variables:

```
Void setup ()
{
}
Void loop ()
{
    int x , y ;
    int z ;           Local variable declaration

    x= 0;
    y=0;             actual initialization
    z=10;
}
```

Global Variables

Global variables are defined outside of all the functions, usually at the top of the program. The global variables will hold their value throughout the life-time of your program.

A global variable can be accessed by any function. That is, a global variable is available for use throughout your entire program after its declaration.

The following example uses global and local variables:

```
Int T , S ;  
float c =0 ; Global variable declaration  
Void setup ()  
{  
}  
Void loop ()  
{  
    int x , y ;  
    int z ; Local variable declaration  
  
    x= 0;  
    y=0; actual initialization  
    z=10;  
}
```

7. Arduino – Operators

An operator is a symbol that tells the compiler to perform specific mathematical or logical functions. C language is rich in built-in operators and provides the following types of operators:

- Arithmetic Operators
- Comparison Operators
- Boolean Operators
- Bitwise Operators
- Compound Operators

Arithmetic Operators

Assume variable A holds 10 and variable B holds 20 then -

Operator name	Operator simple	Description	Example
assignment operator	=	Stores the value to the right of the equal sign in the variable to the left of the equal sign.	A=B
addition	+	Adds two operands	A + B will give 30
subtraction	-	Subtracts second operand from the first	A - B will give -10
multiplication	*	Multiply both operands	A * B will give 200
division	/	Divide numerator by denominator	B / A will give 2
modulo	%	Modulus Operator and remainder of after an integer division	B % A will give 0

Example

```
void loop ()
{
  int a=9,b=4,c;
  c=a+b;
  c=a-b;
```



```

c=a*b;
c=a/b;
c=a%b;
}

```

Result

```

a+b=13
a-b=5
a*b=36
a/b=2
Remainder when a divided by b=1

```

Comparison Operators

Assume variable A holds 10 and variable B holds 20 then -

Operator name	Operator simple	Description	Example
equal to	==	Checks if the value of two operands is equal or not, if yes then condition becomes true.	(A == B) is not true
not equal to	!=	Checks if the value of two operands is equal or not, if values are not equal then condition becomes true.	(A != B) is true
less than	<	Checks if the value of left operand is less than the value of right operand, if yes then condition becomes true.	(A < B) is true
greater than	>	Checks if the value of left operand is greater than the value of right operand, if yes then condition becomes true.	(A > B) is not true
less than or equal to	<=	Checks if the value of left operand is less than or equal to the value of right operand, if yes then condition becomes true.	(A <= B) is true
greater than or equal to	>=	Checks if the value of left operand is greater than or equal to the value of right operand, if yes then condition becomes true.	(A >= B) is not true

Example

```
void loop ()
{ int a=9,b=4
  bool c = false;
  if(a==b)
    c=true;
  else
    c=false;

  if(a!=b)
    c=true;
  else
    c=false;

  if(a<b)
    c=true;
  else
    c=false;

  if(a>b)
    c=true;
  else
    c=false;

  if (a<=b)
    c=true;
  else
    c=false;

  if (a>=b)
    c=true;
  else
    c=false;
}
```

Result

```
c=false
c=true
c= false
c=true
c= false
c= false
```

Boolean Operators

Assume variable A holds 10 and variable B holds 20 then -

Operator name	Operator simple	Description	Example
and	&&	Called Logical AND operator. If both the operands are non-zero then then condition becomes true.	(A && B) is true
or		Called Logical OR Operator. If any of the two operands is non-zero then then condition becomes true.	(A B) is true
not	!	Called Logical NOT Operator. Use to reverses the logical state of its operand. If a condition is true then Logical NOT operator will make false.	!(A && B) is false

Example

```
void loop ()
{
  int a=9,b=4
  bool c = false;
  if((a>b)&& (b<a))
    c=true;
  else
    c=false;

  if((a==b)|| (b<a))
    c=true;
  else
    c=false;
```

```

if( !(a==b)&& (b<a))
    c=true;
else
    c=false;
}

```

Result

```

c=true
c=true
c= true

```

Bitwise Operators

Assume variable A holds 10 and variable B holds 20 then -

Operator name	Operator simple	Description	Example
and	&	Binary AND Operator copies a bit to the result if it exists in both operands.	(A & B) will give 12 which is 0000 1100
or		Binary OR Operator copies a bit if it exists in either operand.	(A B) will give 61 which is 0011 1101
xor	^	Binary XOR Operator copies the bit if it is set in one operand but not both.	(A ^ B) will give 49 which is 0011 0001
not	~	Binary Ones Complement Operator is unary and has the effect of 'flipping' bits.	(~A) will give -60 which is 1100 0011
shift left	<<	Binary Left Shift Operator. The left operands value is moved left by the number of bits specified by the right operand.	A << 2 will give 240 which is 1111 0000
shift right	>>	Binary Right Shift Operator. The left operands value is moved right by the number of bits specified by the right operand.	A >> 2 will give 15 which is 0000 1111

Example

```
void loop ()
{
  int a=10,b=20
  int c = 0;
  c= a & b ;
  c= a | b ;
  c= a ^ b ;
  c= a ~ b ;
  c= a << b ;
  c= a >> b ; }
```

Result

```
c=12
c=61
c= 49
c=-60
c=240
c=15
```

Compound Operators

Assume variable A holds 10 and variable B holds 20 then -

Operator name	Operator simple	Description	Example
increment	++	Increment operator, increases integer value by one	A++ will give 11
decrement	--	Decrement operator, decreases integer value by one	A-- will give 9
compound addition	+=	Add AND assignment operator. It adds right operand to the left operand and assign the result to left operand	B += A is equivalent to B = B+ A
compound subtraction	-=	Subtract AND assignment operator. It subtracts right operand from the left operand and assign the result to left operand	B -= A is equivalent to B = B - A

compound multiplication	<code>*=</code>	Multiply AND assignment operator. It multiplies right operand with the left operand and assign the result to left operand	<code>B*= A</code> is equivalent to <code>B = B* A</code>
compound division	<code>/=</code>	Divide AND assignment operator. It divides left operand with the right operand and assign the result to left operand	<code>B /= A</code> is equivalent to <code>B = B / A</code>
compound modulo	<code>%=</code>	Modulus AND assignment operator. It takes modulus using two operands and assign the result to left operand	<code>B %= A</code> is equivalent to <code>B = B % A</code>
compound bitwise or	<code> =</code>	bitwise inclusive OR and assignment operator	<code>A = 2</code> is same as <code>A = A 2</code>
compound bitwise and	<code>&=</code>	Bitwise AND assignment operator	<code>A &= 2</code> is same as <code>A = A & 2</code>

Example

```
void loop ()
{
  int a=10,b=20
  int c = 0;

  a++;
  a--;
  b+=a;
  b-=a;
  b*=a;
  b/=a;
  a%=b;
  a|=b;
  a&=b;
}
```

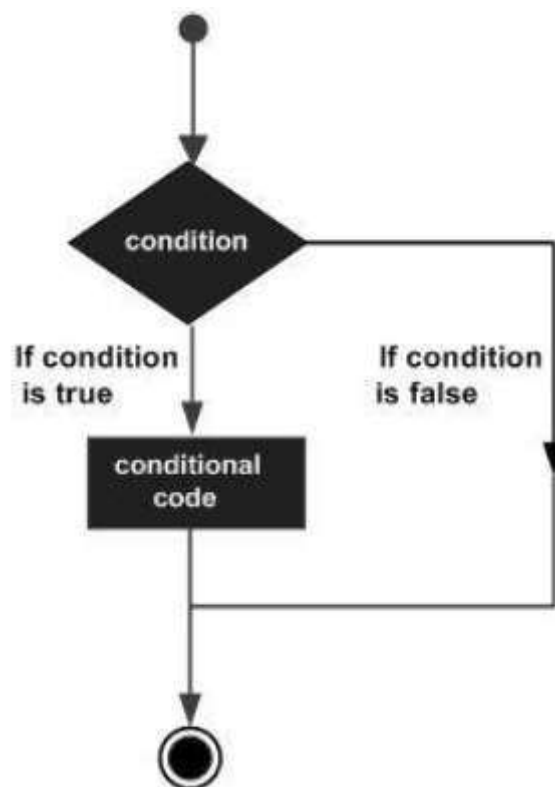
Result

```
a=11
a=9
b=30
b=10
b=200
b=2
a=0
a=61
a=12
```

8. Arduino – Control Statements

Decision making structures require that the programmer specify one or more conditions to be evaluated or tested by the program. It should be along with a statement or statements to be executed if the condition is determined to be true, and optionally, other statements to be executed if the condition is determined to be false.

Following is the general form of a typical decision making structure found in most of the programming languages –



Control Statements are elements in Source Code that control the flow of program execution. They are:

- If statement
- If ...else statement
- If...else if ...else statement
- switch case statement
- Conditional Operator ? :

if statement

It takes an expression in parenthesis and a statement or block of statements. If the expression is true then the statement or block of statements gets executed otherwise these statements are skipped.

Different forms of if statement

Form 1

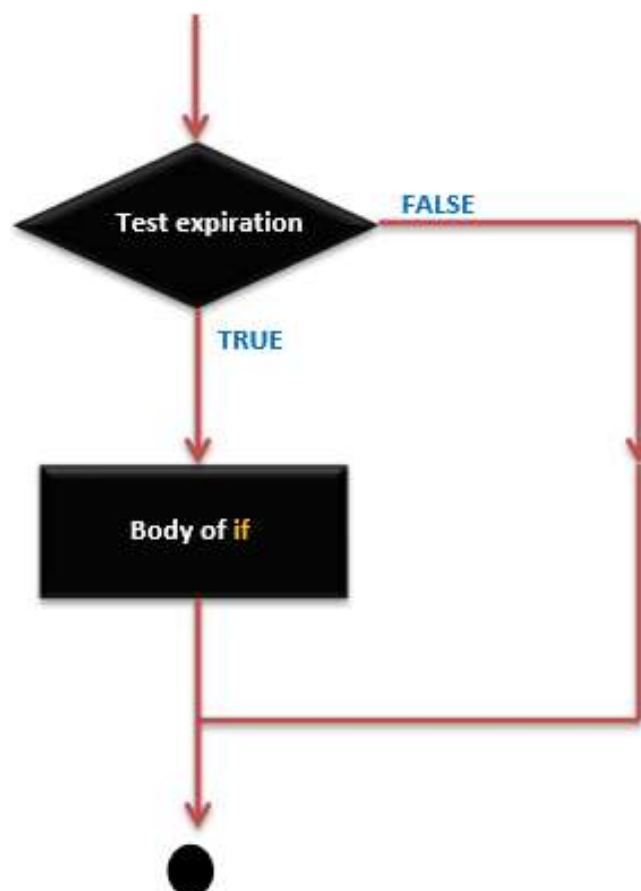
```
if (expression)
    statement;
```

You can use the if statement without braces { } if you have one statement.

Form 2

```
if (expression)
{
    Block of statements;
}
```

if Statement – Execution Sequence



Example

```

/* Global variable definition */
int A = 5 ;
int B= 9 ;
Void setup ()
{
}
Void loop ()
{
/* check the boolean condition */
    if (A > B)    /* if condition is true then execute  the following statement*/
        A++;
/* check the boolean condition */
    If ( ( A>B ) && ( B!=0 )) /* if condition is true then execute  the following
statement*/
        {
            A+=B;
            B--;
        }
}

```

If...else statement

An **if** statement can be followed by an optional else statement, which executes when the expression is false.

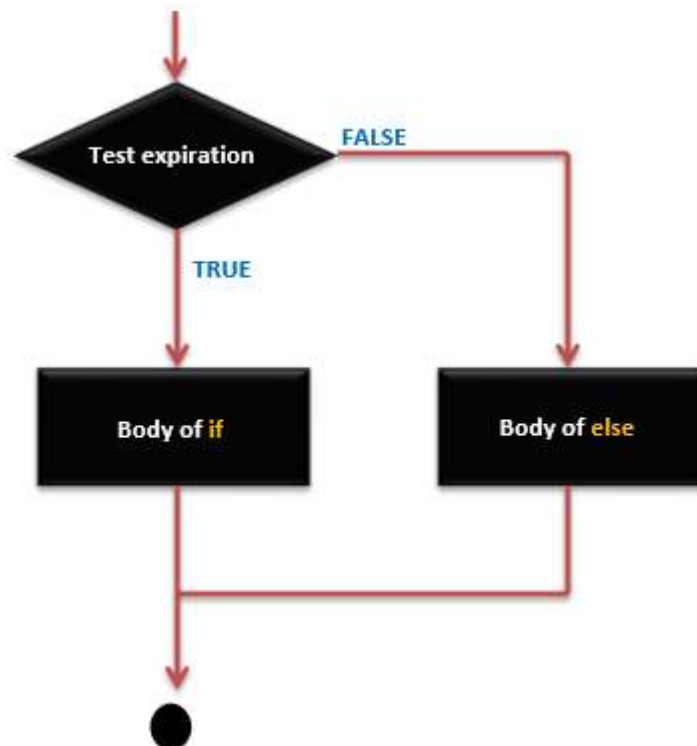
if ... else Statement Syntax

```

if (expression)
{
    Block of statements;
}
else
{
    Block of statements;
}

```

if...else Statement – Execution Sequence



Example

```
/* Global variable definition */
int A = 5 ;
int B = 9 ;
Void setup ()
{
}
Void loop ()
{
  /* check the boolean condition */
  if (A > B) /* if condition is true then execute the following statement*/
  {
    A++;
  }
  else
  {
    B -= A;
  }
}
```

if...else if ...else statement

The **if** statement can be followed by an optional **else if...else** statement, which is very useful to test various conditions using single if...else if statement.

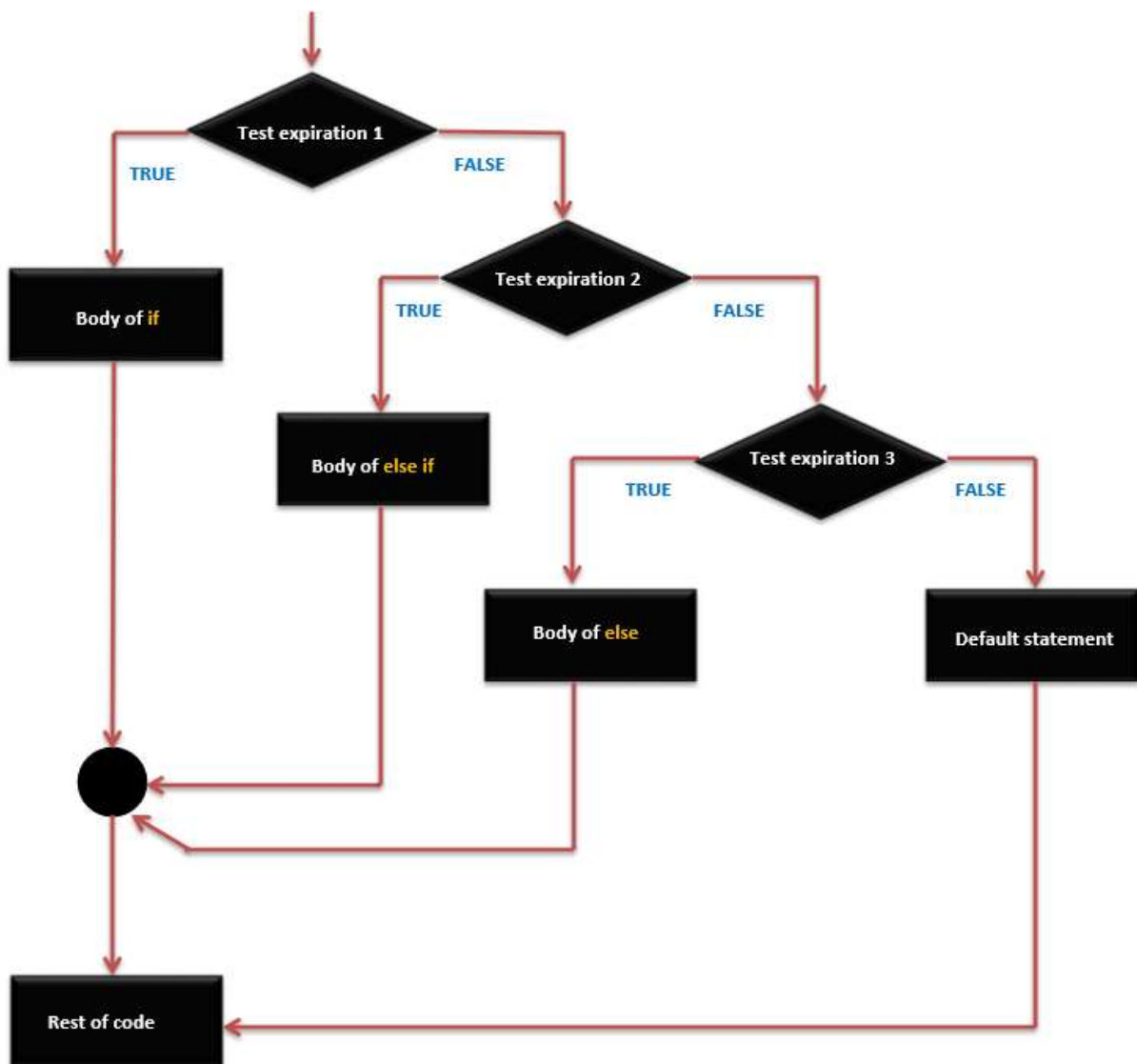
When using **if...else if...else** statements, keep in mind –

- An **if** can have zero or one else statement and it must come after any else if's.
- An **if** can have zero to many else if statements and they must come before the else.
- Once an **else if** succeeds, none of the remaining else if or else statements will be tested.

if ... else if ...else Statements Syntax

```
if (expression_1)
{
    Block of statements;
}
else if(expression_2)
{
    Block of statements;
}
.
.
.
else
{
    Block of statements;
}
```

if ... else if ... else Statement Execution Sequence



Example

```

/* Global variable definition */
int A = 5 ;
int B= 9 ;
int c=15;
Void setup ()
{
}
Void loop ()
{
  /* check the boolean condition */

  if (A > B) /* if condition is true then execute the following statement*/

```

```

{
    A++;
}

/* check the boolean condition */

else if ((A==B )||( B < c ) /* if condition is true then execute the
following statement*/
{
    C =B* A;
}

else
c++;
}

```

Switch Case Statement

Similar to the if statements, **switch...case** controls the flow of programs by allowing the programmers to specify different codes that should be executed in various conditions. In particular, a **switch** statement compares the value of a variable to the values specified in the **case** statements. When a case statement is found whose value matches that of the variable, the code in that case statement is run.

The **break** keyword makes the switch statement exit, and is typically used at the end of each case. Without a break statement, the switch statement will continue executing the following expressions ("falling-through") until a break, or the end of the switch statement is reached.

Switch Case Statement Syntax

```

switch (variable)
{
    case label:
        // statements
        break;
}
case label:
{
// statements
break;
}
default:
{
// statements
break;
}

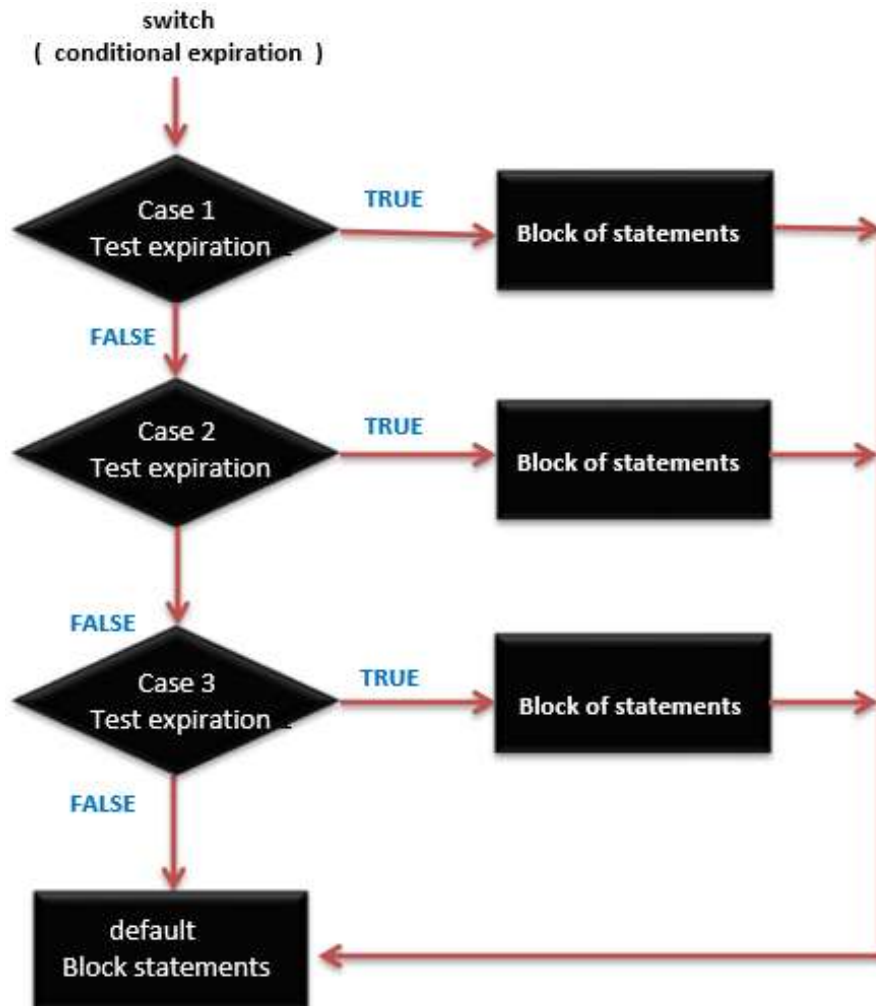
```

```

    }
}

```

Switch Case Statement Execution Sequence



Example

Here is a simple example with switch. Suppose we have a variable phase with only 3 different states (0, 1, or 2) and a corresponding function (event) for each of these states. This is how we could switch the code to the appropriate routine:

```

switch (phase)
{
case 0: Lo(); break;
case 1: Mid(); break;
case 2: Hi(); break;
default: Message("Invalid state!");
}

```

```
}

```

Conditional Operator ? :

The conditional operator ? : is the only ternary operator in C.

? : conditional operator Syntax

```
expression1 ? expression2 : expression3

```

Expression1 is evaluated first. If its value is true, then expression2 is evaluated and expression3 is ignored. If expression1 is evaluated as false, then expression3 evaluates and expression2 is ignored. The result will be a value of either expression2 or expression3 depending upon which of them evaluates as True.

Conditional operator associates from right to left.

Example

```
/* Find max(a, b): */
max = ( a > b ) ? a : b;
/* Convert small letter to capital: */
/* (no parentheses are actually necessary) */
c = ( c >= 'a' && c <= 'z' ) ? ( c - 32 ) : c;

```

Rules of Conditional Operator

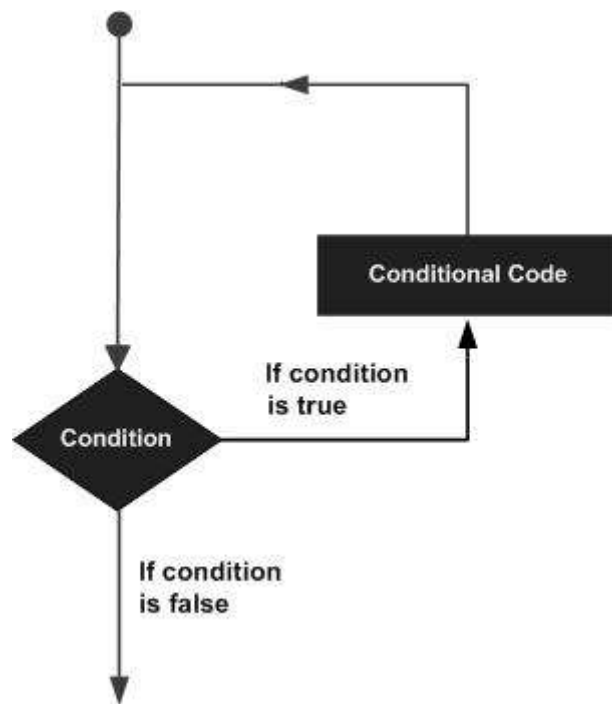
- expression1 must be a scalar expression; expression2 and expression3 must obey one of the following rules:
- Both expressions have to be of arithmetic type.
- expression2 and expression3 are subjected to usual arithmetic conversions, which determines the resulting type.

Both expressions have to be of void type. The resulting type is void.

9. Arduino – Loops

Programming languages provide various control structures that allow for more complicated execution paths.

A loop statement allows us to execute a statement or group of statements multiple times and following is the general form of a loop statement in most of the programming languages –



C programming language provides the following types of loops to handle looping requirements.

- while loop
- do...while loop
- for loop
- nested loop
- infinite loop

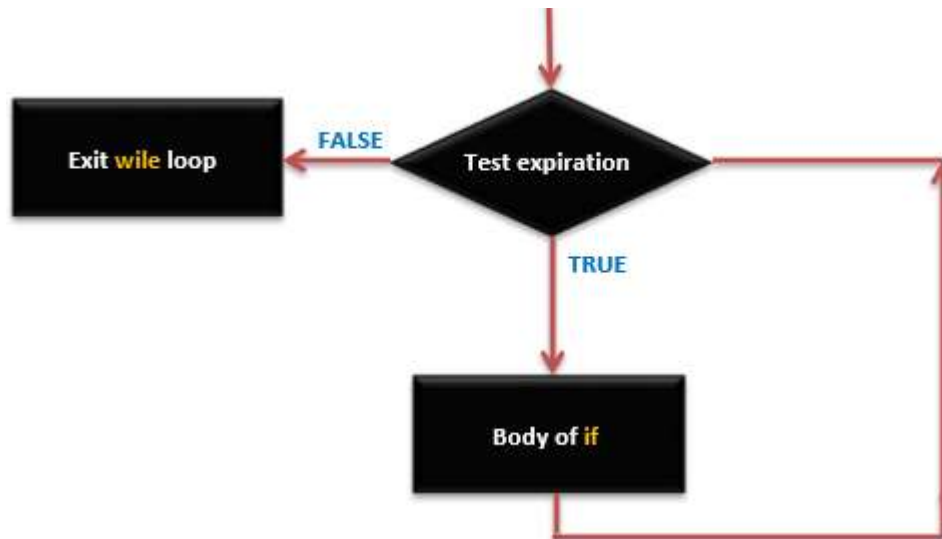
while loop

while loops will loop continuously, and infinitely, until the expression inside the parenthesis, () becomes false. Something must change the tested variable, or the while loop will never exit.

while loop Syntax

```
while(expression)
{
    Block of statements;
}
```

while loop Execution Sequence



do...while loop

The **do...while** loop is similar to the while loop. In the while loop, the loop-continuation condition is tested at the beginning of the loop before performed the body of the loop. The do...while statement tests the loop-continuation condition after performed the loop body. Therefore, the loop body will be executed at least once.

When a **do...while** terminates, execution continues with the statement after the while clause. It is not necessary to use braces in the do...while statement if there is only one statement in the body. However, the braces are usually included to avoid confusion between the while and do...while statements.

do...while loop Syntax

```
do{
    Block of statements;
} while (expression);
```

for loop

A **for loop** executes statements a predetermined number of times. The control expression for the loop is initialized, tested and manipulated entirely within the for loop parentheses. It is easy to debug the looping behavior of the structure as it is independent of the activity inside the loop.

Each **for** loop has up to three expressions, which determine its operation. The following example shows general for loop syntax. Notice that the three expressions in the for loop argument parentheses are separated with semicolons.

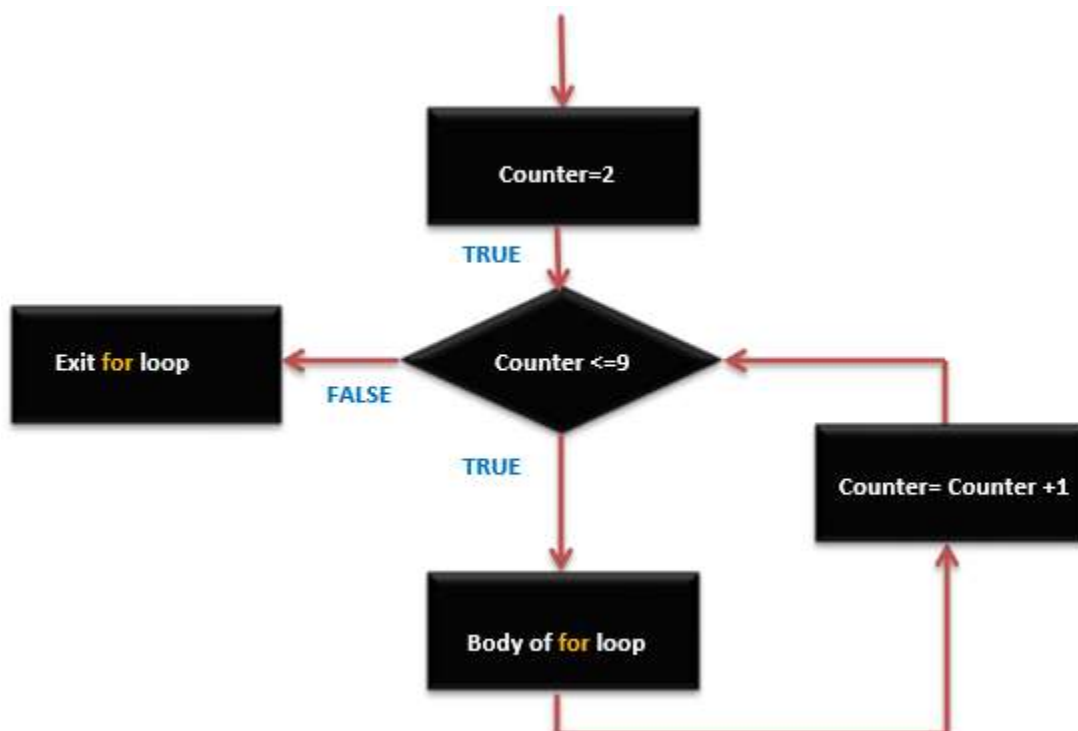
for loop Syntax

```
for ( initialize; control; increment or decrement)
{
// statement block
}
```

Example

```
for(counter=2;counter <=9;counter++)
{
//statements block will executed 10 times
}
```

for loop Execution Sequence



Nested Loop

C language allows you to use one loop inside another loop. The following example illustrates the concept.

nested loop Syntax

```
for ( initialize ;control; increment or decrement)
{
    // statement block
    for ( initialize ;control; increment or decrement)
    {
        // statement block
    }
}
```

Example

```
for(counter=0;counter<=9;counter++)
{
    //statements block will executed 10 times
    for(i=0;i<=99;i++)
    {
        //statements block will executed 100 times
    }
}
```

Infinite loop

It is the loop having no terminating condition, so the loop becomes infinite.

infinite loop Syntax

1. Using for loop

```
for (;;)
{
    // statement block
}
```

2. Using while loop

```
while(1)
{
    // statement block
}
```

3. Using do...while loop

```
do{
    Block of statements;
} while(1);
```

10. Arduino - Functions

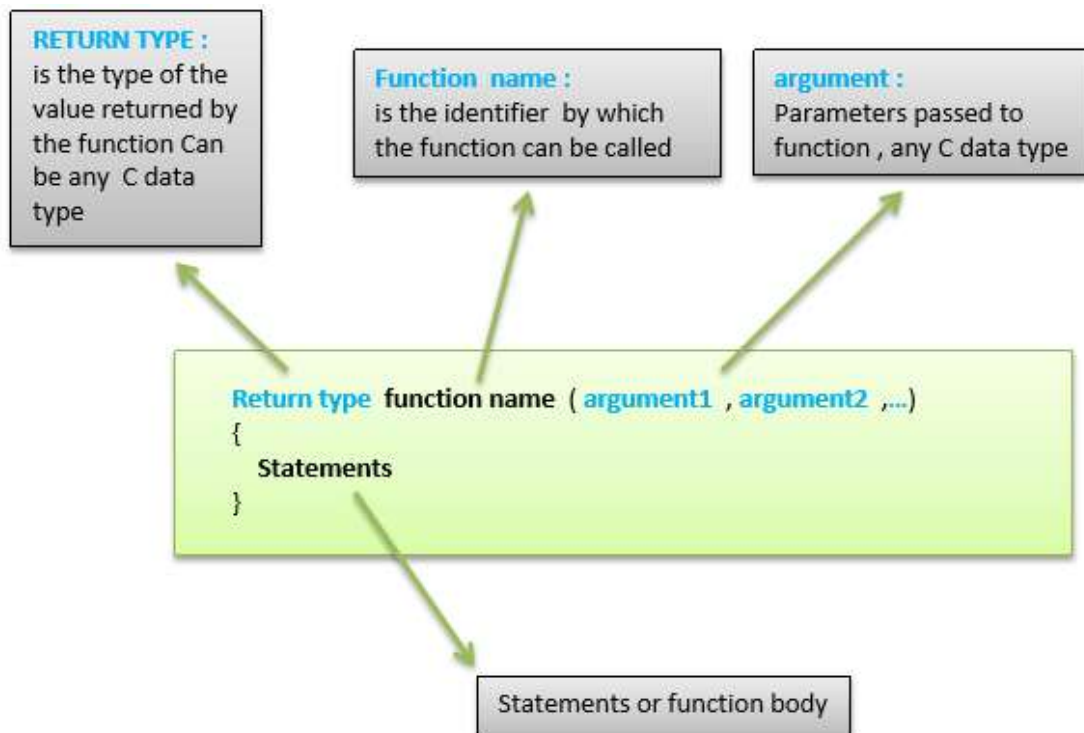
Functions allow structuring the programs in segments of code to perform individual tasks. The typical case for creating a function is when one needs to perform the same action multiple times in a program.

Standardizing code fragments into functions has several advantages:

- Functions help the programmer stay organized. Often this helps to conceptualize the program.
- Functions codify one action in one place so that the function only has to be thought about and debugged once.
- This also reduces chances for errors in modification, if the code needs to be changed.
- Functions make the whole sketch smaller and more compact because sections of code are reused many times.
- They make it easier to reuse code in other programs by making it modular, and using functions often makes the code more readable.

There are two required functions in an Arduino sketch or a program i.e. `setup ()` and `loop()`. Other functions must be created outside the brackets of these two functions.

The most common syntax to define a function is:



Function Declaration

A function is declared outside any other functions, above or below the loop function.

We can declare the function in two different ways -

1. The first way is just writing the part of the function called **a function prototype** above the loop function, which consists of:

- Function return type
- Function name
- Function argument type, no need to write the argument name

Function prototype must be followed by a semicolon (;).

The following example shows the demonstration of the function declaration using the first method.

Example

```
int sum_func (int x, int y)    // function declaration
{
  int z=0;
  z= x+y ;
  return z;    // return the value
}
void setup ()
```

```

{
  Statements      // group of statements
}
Void loop ()
{
  int result =0 ;
  result = Sum_func (5,6) ; // function call
}

```

2. The second part, which is called the function definition or declaration, must be declared below the loop function, which consists of -

- Function return type
- Function name
- Function argument type, here you must add the argument name
- The function body (statements inside the function executing when the function is called)

The following example demonstrates the declaration of function using the second method.

Example

```

int sum_func (int , int ) ; // function prototype
void setup ()
{
  Statements      // group of statements
}
Void loop ()
{
  int result =0 ;
  result = Sum_func (5,6) ; // function call
}

int sum_func (int x, int y) // function declaration
{
  int z=0;
  z= x+y ;
  return z; // return the value
}

```

The second method just declares the function above the loop function.

11. Arduino – Strings

Strings are used to store text. They can be used to display text on an LCD or in the Arduino IDE Serial Monitor window. Strings are also useful for storing the user input. For example, the characters that a user types on a keypad connected to the Arduino.

There are two types of strings in Arduino programming:

- Arrays of characters, which are the same as the strings used in C programming.
- The Arduino String, which lets us use a string object in a sketch.

In this chapter, we will learn Strings, objects and the use of strings in Arduino sketches. By the end of the chapter, you will learn which type of string to use in a sketch.

String Character Arrays

The first type of string that we will learn is the string that is a series of characters of the type **char**. In the previous chapter, we learned what an array is; a consecutive series of the same type of variable stored in memory. A string is an array of char variables.

A string is a special array that has one extra element at the end of the string, which always has the value of 0 (zero). This is known as a "null terminated string".

String Character Array Example

This example will show how to make a string and print it to the serial monitor window.

Example

```
void setup()
{
  char my_str[6];    // an array big enough for a 5 character string
  Serial.begin(9600);

  my_str[0] = 'H';  // the string consists of 5 characters
  my_str[1] = 'e';
  my_str[2] = 'l';
  my_str[3] = 'l';
  my_str[4] = 'o';
  my_str[5] = 0;    // 6th array element is a null terminator
  Serial.println(my_str);
}
void loop()
{ }
```

The following example shows what a string is made up of; a character array with printable characters and 0 as the last element of the array to show that this is where the string ends. The string can be printed out to the Arduino IDE Serial Monitor window by using **Serial.println()** and passing the name of the string.

This same example can be written in a more convenient way as shown below:

Example

```
void setup()
{
  char my_str[] = "Hello";
  Serial.begin(9600);
  Serial.println(my_str);
}
void loop()
{
}
```

In this sketch, the compiler calculates the size of the string array and also automatically null terminates the string with a zero. An array that is six elements long and consists of five characters followed by a zero is created exactly the same way as in the previous sketch.

Manipulating String Arrays

We can alter a string array within a sketch as shown in the following sketch.

Example

```
void setup()
{
  char like[] = "I like coffee and cake"; // create a string
  Serial.begin(9600);

  // (1) print the string
  Serial.println(like);

  // (2) delete part of the string
  like[13] = 0;
  Serial.println(like);

  // (3) substitute a word into the string
  like[13] = ' '; // replace the null terminator with a space
  like[18] = 't'; // insert the new word
  like[19] = 'e';
  like[20] = 'a';
}
```

```
like[21] = 0;    // terminate the string
Serial.println(like);
}
void loop()
{
}
```

Result

```
I like coffee and cake
I like coffee
I like coffee and tea
```

The sketch works in the following way.

(1) Creating and Printing the String

In the sketch given above, a new string is created and then printed for display in the Serial Monitor window.

(2) Shortening the String

The string is shortened by replacing the 14th character in the string with a null terminating zero (2). This is element number 13 in the string array counting from 0.

When the string is printed, all the characters are printed up to the new null terminating zero. The other characters do not disappear; they still exist in the memory and the string array is still the same size. The only difference is that any function that works with strings will only see the string up to the first null terminator.

(3) Changing a Word in the String

Finally, the sketch replaces the word "cake" with "tea" (3). It first has to replace the null terminator at like[13] with a space so that the string is restored to the originally created format.

New characters overwrite "cak" of the word "cake" with the word "tea". This is done by overwriting individual characters. The 'e' of "cake" is replaced with a new null terminating character. The result is that the string is actually terminated with two null characters, the original one at the end of the string and the new one that replaces the 'e' in "cake". This makes no difference when the new string is printed because the function that prints the string stops printing the string characters when it encounters the first null terminator.

Functions to Manipulate String Arrays

The previous sketch manipulated the string in a manual way by accessing individual characters in the string. To make it easier to manipulate string arrays, you can write your own functions to do so, or use some of the string functions from the **C** language library.

Functions	Description
String()	The String class, part of the core as of version 0019, allows you to use and manipulate strings of text in more complex ways than character arrays do. You can concatenate Strings, append to them, search for and replace substrings, and more. It takes more memory than a simple character array, but it is also more useful. For reference, character arrays are referred to as strings with a small 's', and instances of the String class are referred to as Strings with a capital S. Note that constant strings, specified in "double quotes" are treated as char arrays, not instances of the String class
charAt()	Access a particular character of the String.
compareTo()	Compares two Strings, testing whether one comes before or after the other, or whether they are equal. The strings are compared character by character, using the ASCII values of the characters. That means, for example, 'a' comes before 'b' but after 'A'. Numbers come before letters.
concat()	Appends the parameter to a String.
c_str()	Converts the contents of a string as a C-style, null-terminated string. Note that this gives direct access to the internal String buffer and should be used with care. In particular, you should never modify the string through the pointer returned. When you modify the String object, or when it is destroyed, any pointer previously returned by c_str() becomes invalid and should not be used any longer.
endsWith()	Tests whether or not a String ends with the characters of another String.
equals()	Compares two strings for equality. The comparison is case-sensitive, meaning the String "hello" is not equal to the String "HELLO".
equalsIgnoreCase()	Compares two strings for equality. The comparison is not case-sensitive, meaning the String("hello") is equal to the String("HELLO").
getBytes()	Copies the string's characters to the supplied buffer.
indexOf()	Locates a character or String within another String. By default, it searches from the beginning of the String, but can also start

	from a given index, allowing to locate all instances of the character or String.
lastIndexOf()	Locates a character or String within another String. By default, it searches from the end of the String, but can also work backwards from a given index, allowing to locate all instances of the character or String.
length()	Returns the length of the String, in characters. (Note that this does not include a trailing null character.)
remove()	Modify in place, a string removing chars from the provided index to the end of the string or from the provided index to index plus count.
replace()	The String replace() function allows you to replace all instances of a given character with another character. You can also use replace to replace substrings of a string with a different substring.
reserve()	The String reserve() function allows you to allocate a buffer in memory for manipulating strings.
setCharAt()	Sets a character of the String. Has no effect on indices outside the existing length of the String.
startsWith()	Tests whether or not a String starts with the characters of another String.
toCharArray()	Copies the string's characters to the supplied buffer.
substring()	Get a substring of a String. The starting index is inclusive (the corresponding character is included in the substring), but the optional ending index is exclusive (the corresponding character is not included in the substring). If the ending index is omitted, the substring continues to the end of the String.
toInt()	Converts a valid String to an integer. The input string should start with an integer number. If the string contains non-integer numbers, the function will stop performing the conversion.
toFloat()	Converts a valid String to a float. The input string should start with a digit. If the string contains non-digit characters, the function will stop performing the conversion. For example, the strings "123.45", "123", and "123fish" are converted to 123.45, 123.00, and 123.00 respectively. Note that "123.456" is approximated with 123.46. Note too that floats have only 6-7 decimal digits of precision and that longer strings might be truncated.
toLowerCase()	Get a lower-case version of a String. As of 1.0, toLowerCase() modifies the string in place rather than returning a new.
toUpperCase()	Get an upper-case version of a String. As of 1.0, toUpperCase() modifies the string in place rather than returning a new one.

trim()	Get a version of the String with any leading and trailing whitespace removed. As of 1.0, trim() modifies the string in place rather than returning a new one.
---------------	---

The next sketch uses some C string functions.

Example

```
void setup()
{
  char str[] = "This is my string"; // create a string
  char out_str[40];                // output from string functions placed here
  int num;                          // general purpose integer
  Serial.begin(9600);

  // (1) print the string
  Serial.println(str);

  // (2) get the length of the string (excludes null terminator)
  num = strlen(str);
  Serial.print("String length is: ");
  Serial.println(num);

  // (3) get the length of the array (includes null terminator)
  num = sizeof(str); // sizeof() is not a C string function
  Serial.print("Size of the array: ");
  Serial.println(num);

  // (4) copy a string
  strcpy(out_str, str);
  Serial.println(out_str);

  // (5) add a string to the end of a string (append)
  strcat(out_str, " sketch.");
  Serial.println(out_str);
  num = strlen(out_str);
  Serial.print("String length is: ");
  Serial.println(num);
}
```

```

    num = sizeof(out_str);
    Serial.print("Size of the array out_str[]: ");
    Serial.println(num);
}
void loop()
{
}

```

Result

```

This is my string
String length is: 17
Size of the array: 18
This is my string
This is my string sketch.
String length is: 25
Size of the array out_str[]: 40

```

The sketch works in the following way.

(1) Print the String

The newly created string is printed to the Serial Monitor window as done in previous sketches.

(2) Get the Length of the String

The `strlen()` function is used to get the length of the string. The length of the string is for the printable characters only and does not include the null terminator.

The string contains 17 characters, so we see 17 printed in the Serial Monitor window.

(3) Get the Length of the Array

The operator `sizeof()` is used to get the length of the array that contains the string. The length includes the null terminator, so the length is one more than the length of the string.

`sizeof()` looks like a function, but technically is an operator. It is not a part of the C string library, but was used in the sketch to show the difference between the size of the array and the size of the string (or string length).

(4) Copy a String

The `strcpy()` function is used to copy the `str[]` string to the `out_num[]` array. The `strcpy()` function copies the second string passed to it into the first string. A copy of the string now exists in the `out_num[]` array, but only takes up 18 elements of the array, so we still have

22 free char elements in the array. These free elements are found after the string in memory.

The string was copied to the array so that we would have some extra space in the array to use in the next part of the sketch, which is adding a string to the end of a string.

(5) Append a String to a String (Concatenate)

The sketch joins one string to another, which is known as concatenation. This is done using the `strcat()` function. The `strcat()` function puts the second string passed to it onto the end of the first string passed to it.

After concatenation, the length of the string is printed to show the new string length. The length of the array is then printed to show that we have a 25-character long string in a 40 element long array.

Remember that the 25-character long string actually takes up 26 characters of the array because of the null terminating zero.

Array Bounds

When working with strings and arrays, it is very important to work within the bounds of strings or arrays. In the example sketch, an array was created, which was 40 characters long, in order to allocate the memory that could be used to manipulate strings.

If the array was made too small and we tried to copy a string that is bigger than the array to it, the string would be copied over the end of the array. The memory beyond the end of the array could contain other important data used in the sketch, which would then be overwritten by our string. If the memory beyond the end of the string is overrun, it could crash the sketch or cause unexpected behavior.

12. Arduino – String Object

The second type of string used in Arduino programming is the String Object.

What is an Object?

An object is a construct that contains both data and functions. A String object can be created just like a variable and assigned a value or string. The String object contains functions (which are called "methods" in object oriented programming (OOP)) which operate on the string data contained in the String object.

The following sketch and explanation will make it clear what an object is and how the String object is used.

Example

```
void setup()
{
  String my_str = "This is my string.";
  Serial.begin(9600);
  // (1) print the string
  Serial.println(my_str);
  // (2) change the string to upper-case
  my_str.toUpperCase();
  Serial.println(my_str);
  // (3) overwrite the string
  my_str = "My new string.";
  Serial.println(my_str);
  // (4) replace a word in the string
  my_str.replace("string", "Arduino sketch");
  Serial.println(my_str);
  // (5) get the length of the string
  Serial.print("String length is: ");
  Serial.println(my_str.length());
}
void loop()
{ }
```

Result

```
This is my string.
THIS IS MY STRING.
My new string.
My new Arduino sketch.
String length is: 22
```

A string object is created and assigned a value (or string) at the top of the sketch.

```
String my_str = "This is my string." ;
```

This creates a String object with the name **my_str** and gives it a value of "This is my string."

This can be compared to creating a variable and assigning a value to it such as an integer:

```
int my_var = 102;
```

The sketch works in the following way.

(1) Printing the String

The string can be printed to the Serial Monitor window just like a character array string.

(2) Convert the String to Upper-case

The string object **my_str** that was created, has a number of functions or methods that can be operated on it. These methods are invoked by using the objects name followed by the dot operator (.) and then the name of the function to use.

```
my_str.toUpperCase();
```

The **toUpperCase()** function operates on the string contained in the **my_str** object which is of type String and converts the string data (or text) that the object contains to upper-case characters. A list of the functions that the String class contains can be found in the Arduino String reference. Technically, String is called a class and is used to create String objects.

(3) Overwrite a String

The assignment operator is used to assign a new string to the **my_str** object that replaces the old string.

```
my_str = "My new string." ;
```

The assignment operator cannot be used on character array strings, but works on String objects only.

(4) Replacing a Word in the String

The `replace()` function is used to replace the first string passed to it by the second string passed to it. `replace()` is another function that is built into the `String` class and so is available to use on the `String` object `my_str`.

(5) Getting the Length of the String

Getting the length of the string is easily done by using `length()`. In the example sketch, the result returned by `length()` is passed directly to `Serial.println()` without using an intermediate variable.

When to Use a String Object

A `String` object is much easier to use than a string character array. The object has built-in functions that can perform a number of operations on strings.

The main disadvantage of using the `String` object is that it uses a lot of memory and can quickly use up the Arduino's RAM memory, which may cause Arduino to hang, crash or behave unexpectedly. If a sketch on an Arduino is small and limits the use of objects, then there should be no problems.

Character array strings are more difficult to use and you may need to write your own functions to operate on these types of strings. The advantage is that you have control on the size of the string arrays that you make, so you can keep the arrays small to save memory.

You need to make sure that you do not write beyond the end of the array bounds with string arrays. The `String` object does not have this problem and will take care of the string bounds for you, provided there is enough memory for it to operate on. The `String` object can try to write to memory that does not exist when it runs out of memory, but will never write over the end of the string that it is operating on.

Where Strings are Used

In this chapter we studied about the strings, how they behave in memory and their operations.

The practical uses of strings will be covered in the next part of this course when we study how to get user input from the Serial Monitor window and save the input in a string.

13. Arduino – Time

Arduino provides four different time manipulation functions. They are-

- delay () function
- delayMicroseconds () function
- millis () function
- micros () function

delay() function

The way the **delay()** function works is pretty simple. It accepts a single integer (or number) argument. This number represents the time (measured in milliseconds). The program should wait until moving on to the next line of code when it encounters this function. However, the problem is, the delay() function is not a good way to make your program wait, because it is known as a “blocking” function.

delay() function Syntax

```
delay (ms) ;
```

where, ms is the time in milliseconds to pause (unsigned long).

Example

```
/* Flashing LED
 * -----
 * Turns on and off a light emitting diode(LED) connected to a digital
 * pin, in intervals of 2 seconds.  *
 */
int ledPin = 13; // LED connected to digital pin 13
void setup() {
  pinMode(ledPin, OUTPUT); // sets the digital pin as output
}
void loop()
{
  digitalWrite(ledPin, HIGH); // sets the LED on
  delay(1000);                // waits for a second
  digitalWrite(ledPin, LOW);  // sets the LED off
  delay(1000);                // waits for a second
```

```
}

```

delayMicroseconds() function

The **delayMicroseconds()** function accepts a single integer (or number) argument. This number represents the time and is measured in microseconds. There are a thousand microseconds in a millisecond, and a million microseconds in a second.

Currently, the largest value that can produce an accurate delay is 16383. This may change in future Arduino releases. For delays longer than a few thousand microseconds, you should use the `delay()` function instead.

delay() function Syntax

```
delayMicroseconds (us) ;

```

where, **us** is the number of microseconds to pause (unsigned int)

Example

```
/* Flashing LED
 * -----
 * Turns on and off a light emitting diode(LED) connected to a digital
 * pin, in intervals of 1 seconds. *
 */
int ledPin = 13; // LED connected to digital pin 13
void setup() {
  pinMode(ledPin, OUTPUT); // sets the digital pin as output
}
void loop() {
  digitalWrite(ledPin, HIGH); // sets the LED on
  delayMicroseconds(1000);    // waits for a second
  digitalWrite(ledPin, LOW);  // sets the LED off
  delayMicroseconds(1000);    // waits for a second
}
```

millis() function

This function is used to return the number of milliseconds at the time, the Arduino board begins running the current program. This number overflows i.e. goes back to zero after approximately 50 days.

millis() function Syntax

```
millis () ;
```

This function returns milliseconds from the start of the program.

Example

```
unsigned long time;

void setup(){
  Serial.begin(9600);
}
void loop()
{
  Serial.print("Time:");
  time = millis();

  //prints time since program started

  Serial.println(time);
  // wait a second so as not to send massive amounts of data

  delay(1000);
}
```

micros() function

The micros() function returns the number of microseconds from the time, the Arduino board begins running the current program. This number overflows i.e. goes back to zero after approximately 70 minutes. On 16 MHz Arduino boards (e.g. Duemilanove and Nano), this function has a resolution of four microseconds (i.e. the value returned is always a multiple of four). On 8 MHz Arduino boards (e.g. the LilyPad), this function has a resolution of eight microseconds.

micros() function Syntax

```
micros () ;
```

This function returns number of microseconds since the program started (unsigned long)

Example

```
unsigned long time;

void setup(){
  Serial.begin(9600);
}
void loop(){
  Serial.print("Time:");

  time = micros();
  //prints time since program started
}
```

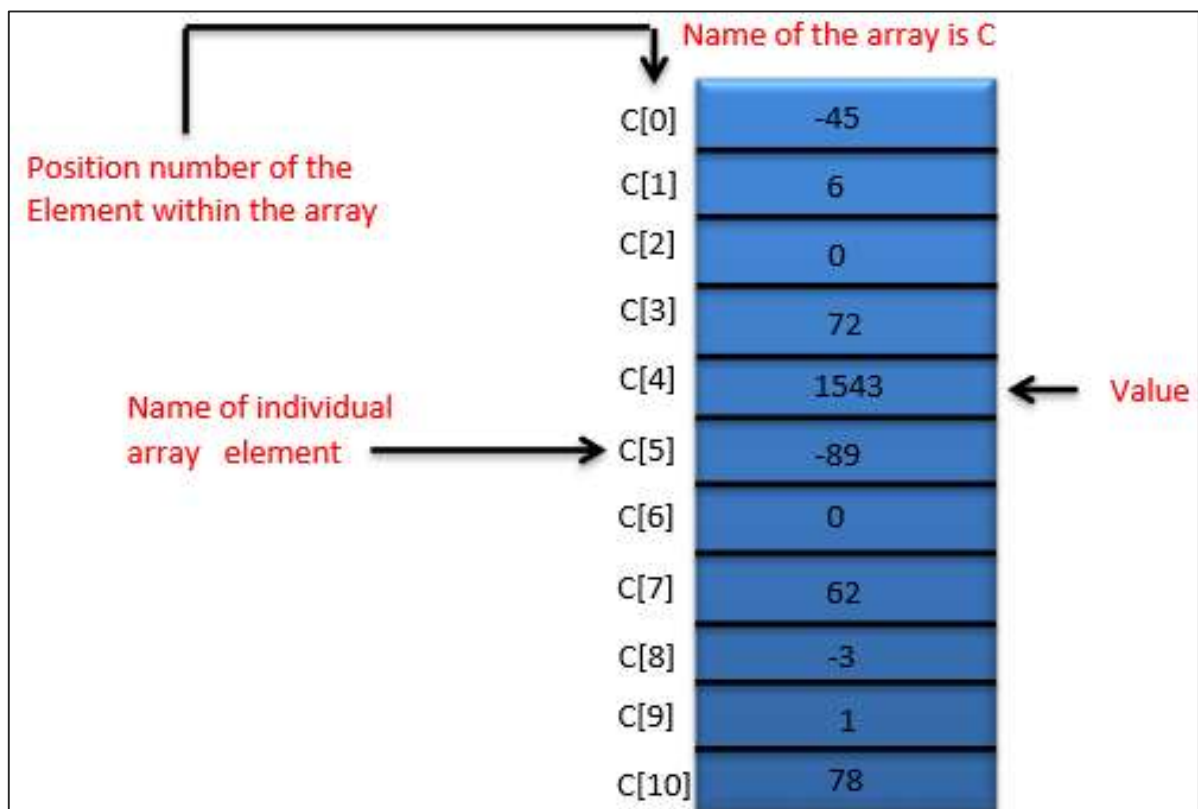
```
Serial.println(time);  
  // wait a second so as not to send massive amounts of data  
delay(1000);  
}
```

14. Arduino – Arrays

An array is a consecutive group of memory locations that are of the same type. To refer to a particular location or element in the array, we specify the name of the array and the position number of the particular element in the array.

The illustration given below shows an integer array called **C** that contains 11 elements. You refer to any one of these elements by giving the array name followed by the particular element's position number in square brackets ([]). The position number is more formally called a subscript or index (this number specifies the number of elements from the beginning of the array). The first element has subscript 0 (zero) and is sometimes called the zeros element.

Thus, the elements of array C are C[0] (pronounced "C sub zero"), C[1], C[2] and so on. The highest subscript in array C is 10, which is 1 less than the number of elements in the array (11). Array names follow the same conventions as other variable names.



A subscript must be an integer or integer expression (using any integral type). If a program uses an expression as a subscript, then the program evaluates the expression to determine the subscript. For example, if we assume that variable a is equal to 5 and that variable b is equal to 6, then the statement adds 2 to array element C[a+b].

A subscripted array name is an lvalue, it can be used on the left side of an assignment, just as non-array variable names can.

Let us examine array C in the given figure, more closely. The name of the entire array is C. Its 11 elements are referred to as C[0] to C[10]. The value of C[0] is -45, the value of C[1] is 6, the value of C[2] is 0, the value of C[7] is 62, and the value of C[10] is 78.

To print the sum of the values contained in the first three elements of array C, we would write:

```
Serial.print (C[ 0 ] + C[ 1 ] + C[ 2 ] );
```

To divide the value of C[6] by 2 and assign the result to the variable x, we would write:

```
x = C[ 6 ] / 2;
```

Declaring Arrays

Arrays occupy space in memory. To specify the type of the elements and the number of elements required by an array, use a declaration of the form:

```
type arrayName [ arraySize ] ;
```

The compiler reserves the appropriate amount of memory. (Recall that a declaration, which reserves memory is more properly known as a definition). The arraySize must be an integer constant greater than zero. For example, to tell the compiler to reserve 11 elements for integer array C, use the declaration:

```
int C[ 12 ]; // C is an array of 12 integers
```

Arrays can be declared to contain values of any non-reference data type. For example, an array of type string can be used to store character strings.

Examples Using Arrays

This section gives many examples that demonstrate how to declare, initialize and manipulate arrays.

Example 1: Declaring an Array and using a Loop to Initialize the Array's Elements

The program declares a 10-element integer array **n**. Lines a–b use a **For** statement to initialize the array elements to zeros. Like other automatic variables, automatic arrays are not implicitly initialized to zero. The first output statement (line c) displays the column headings for the columns printed in the subsequent for statement (lines d–e), which prints the array in tabular format.

Example

```
int n[ 10 ] ; // n is an array of 10 integers
void setup ()
```

```

{
}
void loop ()
{
  for ( int i = 0; i < 10; ++i ) // initialize elements of array n to 0
  {
    n[ i ] = 0; // set element at location i to 0
    Serial.print (i) ;
    Serial.print ('\r') ;
  }
  for ( int j = 0; j < 10; ++j ) // output each array element's value
  {
    Serial.print (n[j]) ;
    Serial.print ('\r') ;
  } }

```

Result: It will produce the following result:

Element	Value
0	0
1	0
2	0
3	0
4	0
5	0
6	0
7	0
8	0
9	0

Example 2: Initializing an Array in a Declaration with an Initializer List

The elements of an array can also be initialized in the array declaration by following the array name with an equal-to sign and a brace-delimited comma-separated list of initializers. The program uses an initializer list to initialize an integer array with 10 values (line a) and prints the array in tabular format (lines b-c).

Example

```

// n is an array of 10 integers
int n[ 10 ] = { 32, 27, 64, 18, 95, 14, 90, 70, 60, 37 } ;
void setup ()

```

```

{
}
void loop ()
{
  for ( int i = 0; i < 10; ++i ) // initialize elements of array n to 0
  {
    Serial.print (i) ;
    Serial.print ('\r' ) ;
  }
  for ( int j = 0; j < 10; ++j ) // output each array element's value
  {
    Serial.print (n[j]) ;
    Serial.print ('\r' ) ;
  } }

```

Result: It will produce the following result:

Element	Value
0	32
1	27
2	64
3	18
4	95
5	14
6	90
7	70
8	60
9	37

Example 3: Summing the Elements of an Array

Often, the elements of an array represent a series of values to be used in a calculation. For example, if the elements of an array represent exam grades, a professor may wish to total the elements of the array and use that sum to calculate the class average for the exam. The program sums the values contained in the 10-element integer array **a**.

Example

```

const int arraySize = 10; // constant variable indicating size of array
int a[ arraySize ] = { 87, 68, 94, 100, 83, 78, 85, 91, 76, 87 };
int total = 0;
void setup ()
{

```

```

}
void loop ()
{
// sum contents of array a
for ( int i = 0; i < arraySize; ++i )
    total += a[ i ];
Serial.print (“Total of array elements : ”) ;
Serial.print(total) ;
}

```

Result: It will produce the following result:

```
Total of array elements: 849
```

Arduino – Passing Arrays to Functions

To pass an array argument to a function, specify the name of the array without any brackets. For example, if an array **hourlyTemperatures** has been declared as the function, the call passes array **hourlyTemperatures** and its size to function **modifyArray**.

Important Points

Here is a list of some important points that you need to know while passing arrays to functions:

- When passing an array to a function, normally the array size is passed as well, so the function can process the specific number of elements in the array. Otherwise, we would need to build this knowledge into the called function itself or, worse yet, place the array size in a global variable.
- C++ passes arrays to functions by reference i.e. the called functions can modify the element values in the callers' original arrays.
- The value of the name of the array is the address in the computer's memory of the first element of the array. Since the starting address of the array is passed, the called function knows precisely where the array is stored in the memory. Therefore, when the called function modifies array elements in its function body, it is modifying the actual elements of the array in their original memory locations.
- Although the entire arrays are passed by reference, individual array elements are passed by value exactly as simple variables are.
- To pass an element of an array to a function, use the subscripted name of the array element as an argument in the function call.

- For a function to receive an array through a function call, the function's parameter list must specify that the function expects to receive an array.
- For example, the function header for function modifyArray might be written as:

```
void modifyArray( int b[], int arraySize )
```

The statement indicates that modifyArray expects to receive the address of an array of integers in parameter b and the number of array elements in parameter arraySize. The array's size is not required in the array brackets. If it is included, the compiler ignores it; thus, arrays of any size can be passed to the function.

- C++ passes arrays to the functions by reference. When the called function uses the array name b, it refers to the actual array in the caller (i.e., arrayhourlyTemperatures discussed at the beginning of this section).

Note the strange appearance of the function prototype for modifyArray.

```
void modifyArray( int [] , int ) ;
```

This prototype could have been written in the following way for documentation purposes.

```
void modifyArray( int anyArrayName[], int anyVariableName ) ;
```

However, C++ compilers ignore variable names in prototypes. Remember, the prototype tells the compiler the number of arguments and the type of each argument in the order in which the arguments are expected to appear.

The program in the next example demonstrates the difference between passing an entire array and passing an array element.

Example

```
void modifyArray( int [], int ); // appears strange; array and size
void modifyElement( int ); // receive array element value

void setup ()
{
  Serial.begin (9600);
  const int arraySize = 5; // size of array a
  int a[ arraySize ] = { 0, 1, 2, 3, 4 }; // initialize array a
  Serial.print ( "Effects of passing entire array by reference:" ) ;
  // output original array elements
  for ( int i = 0; i < arraySize ; ++i )
    Serial.print ( a[ i ] ) ;
```

```

    Serial.print ( "\r" ) ;
Serial.print ( "The values of the modified array are:\n" );
// output modified array elements
for ( int j = 0; j < arraySize; ++j )
Serial.print ( a[j ] ) ;
Serial.print ( "\r" ) ;
Serial.print ( "\r\rEffects of passing array element by value:" );
Serial.print ( "\ra[3] before modifyElement: " );
Serial.print ( a[ 3 ] );
Serial.print ( "\ra[3] after modifyElement: " );

Serial.print ( a[ 3 ] );
}
void loop ()
{

}

// in function modifyArray, "b" points to the original array "a" in memory
void modifyArray( int b[], int sizeOfArray )
{
// multiply each array element by 2
for ( int k = 0 ; k < sizeOfArray ; ++k )
    b[ k ] *= 2;
} // end function modifyArray
// in function modifyElement, "e" is a local copy of
// array element a[ 3 ] passed from main
void modifyElement( int e )
{
// multiply parameter by 2
Serial.print ( "Value of element in modifyElement: " );
Serial.print ( ( e *= 2 ) );
} // end function modifyElement

```

Result

Effects of passing entire array by reference:01234

The values of the modified array are:01234

Effects of passing array element by value:

a[3] before modifyElement: 3

a[3] after modifyElement: 3

\$ is not a hexadecimal digit

f is a hexadecimal digit

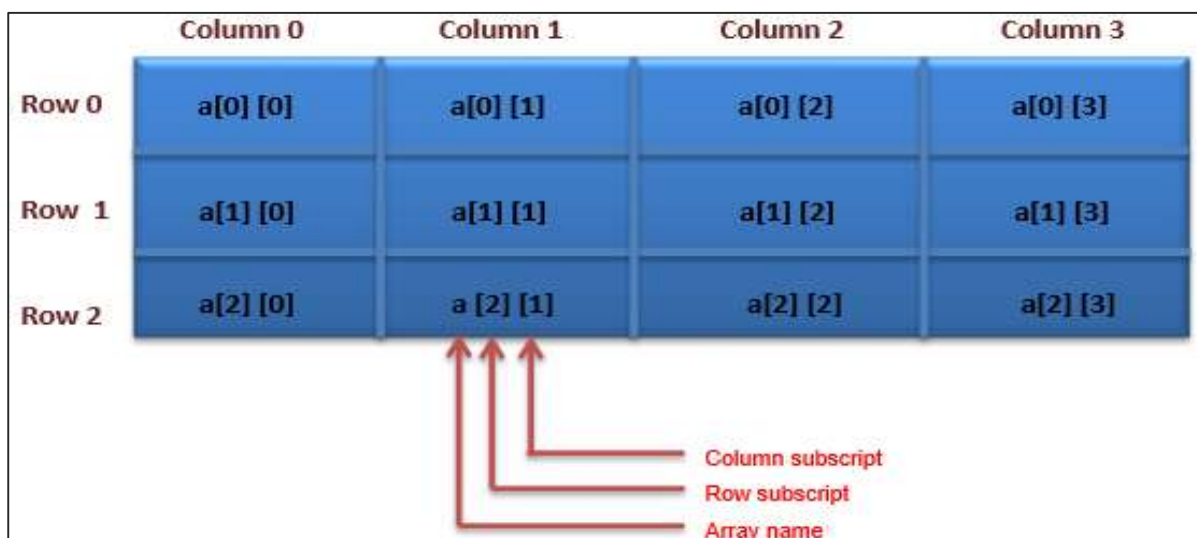
Multidimensional Arrays

Arrays with two dimensions (i.e., subscripts) often represent tables of values consisting of information arranged in rows and columns.

Following are the key features of multidimensional arrays:

- To identify a particular table element, we must specify two subscripts.
- By convention, the first identifies the element's row and the second identifies the element's column.
- Arrays that require two subscripts to identify a particular element are called two-dimensional arrays or 2-D arrays.
- Arrays with two or more dimensions are known as multidimensional arrays and can have more than two dimensions.

The following figure illustrates a two-dimensional array, **a**. The array contains three rows and four columns, so it is a 3-by-4 array. In general, an array with **m** rows and **n** columns is called an **m-by-n array**.



Every element in array **a** is identified by an element name of the form **a[i][j]**. Here, **a** is the name of the array, and **i** and **j** are the subscripts that uniquely identify each element in **a**. Notice that the names of the elements in row 0 all have a first subscript of 0; the names of the elements in column 3 all have a second subscript of 3.

A multidimensional array can be initialized in its declaration much like a one-dimensional array. For example, a two-dimensional array **b** with values 1 and 2 in its row 0 elements and values 3 and 4 in its row 1 elements could be declared and initialized as follows:

```
int b[ 2 ][ 2 ] = { { 1, 2 }, { 3, 4 } };
```

The values are grouped by row in braces. Therefore, 1 and 2 initialize `b[0][0]` and `b[0][1]`, respectively, and 3 and 4 initialize `b[1][0]` and `b[1][1]`, respectively. If there are not enough initializers for a given row, the remaining elements of that row are initialized to 0. Thus, the following declaration initializes `b[0][0]` to 1, `b[0][1]` to 0, `b[1][0]` to 3 and `b[1][1]` to 4.

```
int b[ 2 ][ 2 ] = { { 1 }, { 3, 4 } };
```

Example

Here is an example that demonstrates initializing two-dimensional arrays in declarations.

- Lines a–c declare three arrays, each with two rows and three columns.
- The declaration of array1 (line a) provides six initializers in the two sub lists. The first sub list initializes row 0 of the array to the values 1, 2 and 3; the second sub list initializes row 1 of the array to the values 4, 5 and 6.
- If the braces around each sub-list are removed from the array1 initializer list, the compiler initializes the elements of row 0 followed by the elements of row 1, yielding the same result.
- The declaration of array2 (line b) provides only five initializers.
- The initializers are assigned to row 0, then row 1. Any elements that do not have an explicit initializer are initialized to zero, so `array2[1][2]` is initialized to zero.
- The declaration of array3 (line c) provides three initializers in two sub lists.
- The sub list for row 0 explicitly initializes the first two elements of row 0 to 1 and 2; the third element is implicitly initialized to zero.
- The sub list for row 1 explicitly initializes the first element to 4 and implicitly initializes the last two elements to zero.
- The program calls function `printArray` to output each array's elements. Notice that the function prototype (line k) specify the parameter **const int a[][columns]**.
- When a function receives a one-dimensional array as an argument, the array brackets are empty in the function's parameter list.

- The size of a two-dimensional array's first dimension (i.e., the number of rows) is not required either, but all the subsequent dimension sizes are required. The compiler uses these sizes to determine the locations in memory of elements in multidimensional arrays.
- All array elements are stored consecutively in memory, regardless of the number of dimensions. In a two-dimensional array, row 0 is stored in memory followed by row 1.

Example

```

void printArray ( const int [][] [ 3 ] ); // prototype
const int rows = 2;
const int columns = 3;
int array1[ rows ][ columns ] = { { 1, 2, 3 }, { 4, 5, 6 } };
int array2[ rows ][ columns ] = { 1, 2, 3, 4, 5 };
int array3[ rows ][ columns ] = { { 1, 2 }, { 4 } };

void setup ()
{
}

void loop ()
{
  Serial.print ("Values in array1 by row are: " ) ;
  Serial.print ("\r" ) ;
  printArray(array1) ;
  Serial.print ("Values in array2 by row are: " ) ;
  Serial.print ("\r" ) ;
  printArray(array2) ;
  Serial.print ("Values in array3 by row are: " ) ;
  Serial.print ("\r" ) ;
  printArray(array3) ;
}

// output array with two rows and three columns
void printArray( const int a[][ columns ] )
{
  // loop through array's rows
  for ( int i = 0; i < rows; ++i )
  {
    // loop through columns of current row
    for ( int j = 0; j < columns; ++j )

```

```

Serial.print (a[ i ][ j ] );
Serial.print (“\r” ) ; // start new line of output
} // end outer for
} // end function printArray

```

Result

```

Values in array1 by row are:
1 2 3
4 5 6
Values in array2 by row are:
1 2 3
4 5 0
Values in array3 by row are:
1 2 0
4 0 0

```

Note: Each row is a one-dimensional array. To locate an element in a particular row, the function must know exactly how many elements are in each row so it can skip the proper number of memory locations when accessing the array. Thus, when accessing `a[1][2]`, the function knows to skip row 0's three elements in memory to get to row 1. Then, the function accesses element 2 of that row. Many common array manipulations use **FOR** statements.

For example, the following **FOR** statement sets all the elements in row 2 of array **a**.

```

for ( int column = 0; column < 4; ++column )
    a[ 2 ][ column ] = 0;

```

The **FOR** statement varies only the second subscript (i.e., the column subscript). The preceding **FOR** statement is equivalent to the following assignment statements:

```

a[ 2 ][ 0 ] = 0;
a[ 2 ][ 1 ] = 0;
a[ 2 ][ 2 ] = 0;
a[ 2 ][ 3 ] = 0;

```

The following **Nested FOR** statement determines the total of all the elements in array **a**:

```

total = 0;
for ( int row = 0; row < 3; ++row )
    for ( int column = 0; column < 4; ++column )
        total += a[ row ][ column ];

```

The **FOR** statement totals the elements of the array one row at a time. The outer **FOR** statement begins by setting the row (i.e., the row subscript) to 0. Therefore, the elements of row 0 may be totaled by the inner **FOR** statement.

The outer **FOR** statement then increments row to 1, so that the elements of row 1 can be totaled. Then, the outer **FOR** statement increments row to 2, so that, the elements of row 2 can be totaled. When the nested **FOR** statement terminates, the total contains the sum of all the array elements.

Arduino – Function Libraries

15. Arduino – I/O Functions

The pins on the Arduino board can be configured as either inputs or outputs. We will explain the functioning of the pins in those modes. It is important to note that a majority of Arduino analog pins, may be configured, and used, in exactly the same manner as digital pins.

Pins Configured as INPUT

Arduino pins are by default configured as inputs, so they do not need to be explicitly declared as inputs with **pinMode()** when you are using them as inputs. Pins configured this way are said to be in a high-impedance state. Input pins make extremely small demands on the circuit that they are sampling, equivalent to a series resistor of 100 megaohm in front of the pin.

This means that it takes very little current to switch the input pin from one state to another. This makes the pins useful for such tasks as implementing a capacitive touch sensor or reading an LED as a photodiode.

Pins configured as `pinMode(pin, INPUT)` with nothing connected to them, or with wires connected to them that are not connected to other circuits, report seemingly random changes in pin state, picking up electrical noise from the environment, or capacitively coupling the state of a nearby pin.

Pull-up Resistors

Pull-up resistors are often useful to steer an input pin to a known state if no input is present. This can be done by adding a pull-up resistor (to +5V), or a pull-down resistor (resistor to ground) on the input. A 10K resistor is a good value for a pull-up or pull-down resistor.

Using Built-in Pull-up Resistor with Pins Configured as Input

There are 20,000 pull-up resistors built into the Atmega chip that can be accessed from software. These built-in pull-up resistors are accessed by setting the **pinMode()** as `INPUT_PULLUP`. This effectively inverts the behavior of the `INPUT` mode, where `HIGH` means the sensor is OFF and `LOW` means the sensor is ON. The value of this pull-up depends on the microcontroller used. On most AVR-based boards, the value is guaranteed to be between 20k Ω and 50k Ω . On the Arduino Due, it is between 50k Ω and 150k Ω . For the exact value, consult the datasheet of the microcontroller on your board.

When connecting a sensor to a pin configured with `INPUT_PULLUP`, the other end should be connected to the ground. In case of a simple switch, this causes the pin to read `HIGH` when the switch is open and `LOW` when the switch is pressed. The pull-up resistors provide enough current to light an LED dimly connected to a pin configured as an input. If LEDs in a project seem to be working, but very dimly, this is likely what is going on.

Same registers (internal chip memory locations) that control whether a pin is HIGH or LOW control the pull-up resistors. Consequently, a pin that is configured to have pull-up resistors turned on when the pin is in INPUT mode, will have the pin configured as HIGH if the pin is then switched to an OUTPUT mode with `pinMode()`. This works in the other direction as well, and an output pin that is left in a HIGH state will have the pull-up resistor set if switched to an input with `pinMode()`.

Example

```
pinMode(3,INPUT) ;    // set pin to input without using built in pull up resistor
pinMode(5,INPUT_PULLUP) ;    // set pin to input using built in pull up resistor
```

Pins Configured as OUTPUT

Pins configured as OUTPUT with `pinMode()` are said to be in a low-impedance state. This means that they can provide a substantial amount of current to other circuits. Atmega pins can source (provide positive current) or sink (provide negative current) up to 40 mA (milliamperes) of current to other devices/circuits. This is enough current to brightly light up an LED (do not forget the series resistor), or run many sensors but not enough current to run relays, solenoids, or motors.

Attempting to run high current devices from the output pins, can damage or destroy the output transistors in the pin, or damage the entire Atmega chip. Often, this results in a "dead" pin in the microcontroller but the remaining chips still function adequately. For this reason, it is a good idea to connect the OUTPUT pins to other devices through 470Ω or 1k resistors, unless maximum current drawn from the pins is required for a particular application.

pinMode() Function

The `pinMode()` function is used to configure a specific pin to behave either as an input or an output. It is possible to enable the internal pull-up resistors with the mode `INPUT_PULLUP`. Additionally, the `INPUT` mode explicitly disables the internal pull-ups.

pinMode () Function Syntax

```
Void setup ()
{
    pinMode (pin , mode);
}
```

- **pin:** the number of the pin whose mode you wish to set
- **mode:** `INPUT`, `OUTPUT`, or `INPUT_PULLUP`.

Example

```

int button = 5 ; // button connected to pin 5
int LED = 6;    // LED connected to pin 6
void setup ()
{
    pinMode(button , INPUT_PULLUP); // set the digital pin as input with pull-up
    resistor
    pinMode(button , OUTPUT);      // set the digital pin as output
}

void setup ()
{
    If (digitalRead(button )==LOW) // if button pressed
    {
        digitalWrite(LED,HIGH); // turn on led
        delay(500); // delay for 500 ms
        digitalWrite(LED,LOW); // turn off led
        delay(500); // delay for 500 ms
    }
}
}

```

digitalWrite() Function

The **digitalWrite()** function is used to write a HIGH or a LOW value to a digital pin. If the pin has been configured as an OUTPUT with `pinMode()`, its voltage will be set to the corresponding value: 5V (or 3.3V on 3.3V boards) for HIGH, 0V (ground) for LOW. If the pin is configured as an INPUT, `digitalWrite()` will enable (HIGH) or disable (LOW) the internal pullup on the input pin. It is recommended to set the `pinMode()` to INPUT_PULLUP to enable the internal pull-up resistor.

If you do not set the `pinMode()` to OUTPUT, and connect an LED to a pin, when calling `digitalWrite(HIGH)`, the LED may appear dim. Without explicitly setting `pinMode()`, `digitalWrite()` will have enabled the internal pull-up resistor, which acts like a large current-limiting resistor.

digitalWrite() Function Syntax

```
Void loop()
{
  digitalWrite (pin ,value);
}
```

- **pin**: the number of the pin whose mode you wish to set
- **value**: HIGH, or LOW.

Example

```
int LED = 6;    // LED connected to pin 6
void setup ()
{
  pinMode(LED, OUTPUT);    // set the digital pin as output
}
void setup ()
{
  digitalWrite(LED,HIGH);  // turn on led
  delay(500);  // delay for 500 ms
  digitalWrite(LED,LOW);  // turn off led
  delay(500);  // delay for 500 ms
}
```

analogRead() function

Arduino is able to detect whether there is a voltage applied to one of its pins and report it through the digitalRead() function. There is a difference between an on/off sensor (which detects the presence of an object) and an analog sensor, whose value continuously changes. In order to read this type of sensor, we need a different type of pin.

In the lower-right part of the Arduino board, you will see six pins marked "Analog In". These special pins not only tell whether there is a voltage applied to them, but also its value. By using the **analogRead()** function, we can read the voltage applied to one of the pins.

This function returns a number between 0 and 1023, which represents voltages between 0 and 5 volts. For example, if there is a voltage of 2.5 V applied to pin number 0, analogRead(0) returns 512.

analogRead() function Syntax

```
analogRead(pin);
```


pin: the number of the analog input pin to read from (0 to 5 on most boards, 0 to 7 on the Mini and Nano, 0 to 15 on the Mega)

Example

```
int analogPin = 3;//potentiometer wiper (middle terminal) connected to analog
pin 3
int val = 0;      // variable to store the value read
void setup()
{
  Serial.begin(9600); // setup serial
}
void loop()
{
  val = analogRead(analogPin); // read the input pin
  Serial.println(val);         // debug value
}
```

16. Arduino – Advanced I/O Function

In this chapter, we will learn some advanced Input and Output Functions.

analogReference() Function

Configures the reference voltage used for analog input (i.e. the value used as the top of the input range). The options are:

- **DEFAULT:** The default analog reference of 5 volts (on 5V Arduino boards) or 3.3 volts (on 3.3V Arduino boards)
- **INTERNAL:** An built-in reference, equal to 1.1 volts on the ATmega168 or ATmega328 and 2.56 volts on the ATmega8 (not available on the Arduino Mega)
- **INTERNAL1V1:** A built-in 1.1V reference (Arduino Mega only)
- **INTERNAL2V56:** A built-in 2.56V reference (Arduino Mega only)
- **EXTERNAL:** The voltage applied to the AREF pin (0 to 5V only) is used as the reference

analogReference() Function Syntax

```
analogReference (type);
```

type: can use any type of the follow (DEFAULT, INTERNAL, INTERNAL1V1, INTERNAL2V56, EXTERNAL)

Do not use anything less than 0V or more than 5V for external reference voltage on the AREF pin. If you are using an external reference on the AREF pin, you must set the analog reference to EXTERNAL before calling the **analogRead()** function. Otherwise, you will short the active reference voltage (internally generated) and the AREF pin, possibly damaging the microcontroller on your Arduino board.



Alternatively, you can connect the external reference voltage to the AREF pin through a 5K resistor, allowing you to switch between external and internal reference voltages.

Note that the resistor will alter the voltage that is used as the reference because there is an internal 32K resistor on the AREF pin. The two act as a voltage divider. For example, 2.5V applied through the resistor will yield $2.5 * 32 / (32 + 5) = \sim 2.2V$ at the AREF pin.

Example

```
int analogPin = 3; // potentiometer wiper (middle terminal) connected to analog
pin // variable to store the read value
int val = 0;
void setup()
{
  Serial.begin(9600); // setup serial
  analogReference(EXTERNAL); // the voltage applied to the AREF pin (0 to 5V
  only)
  is used as the reference.
}
void loop()
{
  val = analogRead(analogPin); // read the input pin
  Serial.println(val); // debug value
}
```

17. Arduino – Character Functions

All data is entered into computers as characters, which includes letters, digits and various special symbols. In this section, we discuss the capabilities of C++ for examining and manipulating individual characters.

The character-handling library includes several functions that perform useful tests and manipulations of character data. Each function receives a character, represented as an int, or EOF as an argument. Characters are often manipulated as integers.

Remember that EOF normally has the value -1 and that some hardware architectures do not allow negative values to be stored in char variables. Therefore, the character-handling functions manipulate characters as integers.

The following table summarizes the functions of the character-handling library. When using functions from the character-handling library, include the **<cctype>** header.

Prototype	Description
int isdigit(int c)	Returns 1 if c is a digit and 0 otherwise.
int isalpha(int c)	Returns 1 if c is a letter and 0 otherwise.
int isalnum(int c)	Returns 1 if c is a digit or a letter and 0 otherwise.
int isxdigit(int c)	Returns 1 if c is a hexadecimal digit character and 0 otherwise. (See Appendix D, Number Systems, for a detailed explanation of binary, octal, decimal and hexadecimal numbers.)
int islower(int c)	Returns 1 if c is a lowercase letter and 0 otherwise.
int isupper(int c)	Returns 1 if c is an uppercase letter; 0 otherwise.
int isspace(int c)	Returns 1 if c is a white-space character—newline ('\n'), space (' '), form feed ('\f'), carriage return ('\r'), horizontal tab ('\t'), or vertical tab ('\v')—and 0 otherwise.
int iscntrl(int c)	Returns 1 if c is a control character, such as newline ('\n'), form feed ('\f'), carriage return ('\r'), horizontal tab ('\t'), vertical tab ('\v'), alert ('\a'), or backspace ('\b')—and 0 otherwise.
int ispunct(int c)	Returns 1 if c is a printing character other than a space, a digit, or a letter and 0 otherwise.
int isprint(int c)	Returns 1 if c is a printing character including space (' ') and 0 otherwise.

<code>int isgraph(int c)</code>	Returns 1 if c is a printing character other than space (' ') and 0 otherwise.
-----------------------------------	---

Examples

The following example demonstrates the use of the functions **isdigit**, **isalpha**, **isalnum** and **isxdigit**. Function **isdigit** determines whether its argument is a digit (0–9). The function **isalpha** determines whether its argument is an uppercase letter (A–Z) or a lowercase letter (a–z). The function **isalnum** determines whether its argument is an uppercase, lowercase letter or a digit. Function **isxdigit** determines whether its argument is a hexadecimal digit (A–F, a–f, 0–9).

Example 1

```
void setup ()
{
  Serial.begin (9600);
  Serial.print ("According to isdigit:\r");
  Serial.print (isdigit( '8' ) ? "8 is a": "8 is not a");
  Serial.print (" digit\r" );
  Serial.print (isdigit( '8' ) ?"# is a": "# is not a" ) ;
  Serial.print (" digit\r");
  Serial.print ("\rAccording to isalpha:\r" );
  Serial.print (isalpha('A' ) ?"A is a": "A is not a");
  Serial.print (" letter\r");
  Serial.print (isalpha('A' ) ?"b is a": "b is not a");
  Serial.print (" letter\r");
  Serial.print (isalpha('A') ?"& is a": "& is not a");
  Serial.print (" letter\r");
  Serial.print (isalpha( 'A' ) ?"4 is a":"4 is not a");
  Serial.print (" letter\r");
  Serial.print ("\rAccording to isalnum:\r");
  Serial.print (isalnum( 'A' ) ?"A is a" : "A is not a" );
}
```

```

Serial.print (" digit or a letter\r" );
Serial.print (isalnum( '8' ) ?"8 is a" : "8 is not a" );
Serial.print (" digit or a letter\r");
Serial.print (isalnum( '#' ) ?"# is a" : "# is not a" );
Serial.print (" digit or a letter\r");
Serial.print ("\rAccording to isxdigit:\r");
Serial.print (isxdigit( 'F' ) ?"F is a" : "F is not a" );
Serial.print (" hexadecimal digit\r" );
Serial.print (isxdigit( 'J' ) ?"J is a" : "J is not a" );
Serial.print (" hexadecimal digit\r" );
    Serial.print (isxdigit( '7' ) ?"7 is a" : "7 is not a" );
}
Serial.print (" hexadecimal digit\r" );
Serial.print (isxdigit( '$' ) ? "$ is a" : "$ is not a" );

Serial.print (" hexadecimal digit\r" );
Serial.print (isxdigit( 'f' ) ? "f is a" : "f is not a");
Serial.print (" hexadecimal digit\r" );
}
void loop ()
{
}

```

Result

```

According to isdigit:
8 is a digit
# is not a digit
According to isalpha:
A is a letter
b is a letter
& is not a letter
4 is not a letter
According to isalnum:
A is a digit or a letter

```

```

8 is a digit or a letter
# is not a digit or a letter
According to isxdigit:
F is a hexadecimal digit
J is not a hexadecimal digit
7 is a hexadecimal digit

$ is not a hexadecimal digit
f is a hexadecimal digit

```

We use the conditional operator (**?:**) with each function to determine whether the string " is a " or the string " is not a " should be printed in the output for each character tested. For example, line **a** indicates that if '8' is a digit—i.e., if **isdigit** returns a true (nonzero) value—the string "8 is a " is printed. If '8' is not a digit (i.e., if **isdigit** returns 0), the string " 8 is not a " is printed.

Example 2

The following example demonstrates the use of the functions **islower** and **isupper**. The function **islower** determines whether its argument is a lowercase letter (a–z). Function **isupper** determines whether its argument is an uppercase letter (A–Z).

```

int thisChar = 0xA0;
void setup ()
{
  Serial.begin (9600);
  Serial.print ("According to islower:\r") ;
  Serial.print (islower( 'p' ) ? "p is a" : "p is not a" );
  Serial.print ( " lowercase letter\r" );
  Serial.print ( islower( 'P' ) ? "P is a" : "P is not a" ) ;
  Serial.print ("lowercase letter\r");
  Serial.print (islower( '5' ) ? "5 is a" : "5 is not a" );
  Serial.print ( " lowercase letter\r" );
  Serial.print ( islower( '!' )? "! is a" : "! is not a" ) ;
  Serial.print ("lowercase letter\r");

  Serial.print ("\rAccording to isupper:\r") ;
  Serial.print (isupper ( 'D' ) ? "D is a" : "D is not an" );
  Serial.print ( " uppercase letter\r" );
  Serial.print ( isupper ( 'd' )? "d is a" : "d is not an" ) ;

```

```

Serial.print ( " uppercase letter\r" );
Serial.print (isupper ( '8' ) ? "8 is a" : "8 is not an" );
Serial.print ( " uppercase letter\r" );
Serial.print ( islower( '$' )? "$ is a" : "$ is not an" ) ;
Serial.print ("uppercase letter\r ");
}
void setup ()
{
}

```

Result

```

According to islower:
p is a lowercase letter
P is not a lowercase letter
5 is not a lowercase letter
! is not a lowercase letter
According to isupper:
D is an uppercase letter
d is not an uppercase letter
8 is not an uppercase letter
$ is not an uppercase letter

```

Example 3

The following example demonstrates the use of functions **isspace**, **isctrl**, **ispunct**, **isprint** and **isgraph**.

- The function **isspace** determines whether its argument is a white-space character, such as space (' '), form feed ('\f'), newline ('\n'), carriage return ('\r'), horizontal tab ('\t') or vertical tab ('\v').
- The function **isctrl** determines whether its argument is a control character such as horizontal tab ('\t'), vertical tab ('\v'), form feed ('\f'), alert ('\a'), backspace ('\b'), carriage return ('\r') or newline ('\n').
- The function **ispunct** determines whether its argument is a printing character other than a space, digit or letter, such as \$, #, (,), [,], {, }, ;, : or %.
- The function **isprint** determines whether its argument is a character that can be displayed on the screen (including the space character).
- The function **isgraph** tests for the same characters as isprint, but the space character is not included.


```

void setup ()
{
  Serial.begin (9600);
  Serial.print ( " According to isspace:\rNewline " ) ;
  Serial.print (isspace( '\n' )? " is a" : " is not a" );
  Serial.print ( " whitespace character\rHorizontal tab" ) ;
  Serial.print (isspace( '\t' )? " is a" : " is not a" );
  Serial.print ( " whitespace character\n" ) ;
  Serial.print (isspace('%')? " % is a" : " % is not a" );

  Serial.print ( " \rAccording to iscntrl:\rNewline" ) ;
  Serial.print ( iscntrl( '\n' )?"is a" : " is not a" ) ;
  Serial.print ( " control character\r" );
  Serial.print ( iscntrl( '$' ) ? " $ is a" : " $ is not a" );
  Serial.print ( " control character\r" );
  Serial.print ( "\rAccording to ispunct:\r" );
  Serial.print ( ispunct( ';' ) ?"; is a" : "; is not a" ) ;
  Serial.print ( " punctuation character\r" );
  Serial.print ( ispunct( 'Y' ) ?"Y is a" : "Y is not a" ) ;
  Serial.print ( "punctuation character\r" );
  Serial.print ( ispunct( '#' ) ?"# is a" : "# is not a" ) ;
  Serial.print ( "punctuation character\r" );

  Serial.print ( "\r According to isprint:\r" );
  Serial.print ( isprint( '$' ) ?"$ is a" : "$ is not a" ) ;
  Serial.print ( " printing character\rAlert " );
  Serial.print ( isprint( '\a' ) ?" is a" : " is not a" ) ;
  Serial.print ( " printing character\rSpace " );
  Serial.print ( isprint( ' ' ) ?" is a" : " is not a" ) ;
  Serial.print ( " printing character\r" );

  Serial.print ( "\r According to isgraph:\r" );
  Serial.print ( isgraph ( 'Q' ) ?"Q is a" : "Q is not a" ) ;
  Serial.print ( "printing character other than a space\rSpace " );
  Serial.print ( isgraph ( ' ' ) ?" is a" : " is not a" ) ;

```

```
Serial.print ("printing character other than a space ");  
}  
void loop ()  
{  
}
```

Result

```
According to isspace:  
Newline is a whitespace character  
Horizontal tab is a whitespace character  
% is not a whitespace character  
According to iscntrl:  
Newline is a control character  
$ is not a control character  
According to ispunct:  
; is a punctuation character  
Y is not a punctuation character  
# is a punctuation character  
According to isprint:  
$ is a printing character  
Alert is not a printing character  
Space is a printing character  
According to isgraph:  
Q is a printing character other than a space  
Space is not a printing character other than a space
```

18. Arduino – Math Library

The Arduino Math library (math.h) includes a number of useful mathematical functions for manipulating floating-point numbers.

Library Macros

Following are the macros defined in the header math.h:

Macros	Value	Description
M_E	2.7182818284590452354	The constant e.
M_LOG2E	1.4426950408889634074 /* log ₂ e */	The logarithm of the e to base 2
M_1_PI	0.31830988618379067154 /* 1/pi */	The constant 1/pi
M_2_PI	0.63661977236758134308 /* 2/pi */	The constant 2/pi
M_2_SQRTPI	1.12837916709551257390 /* 2/sqrt(pi) */	The constant 2/sqrt(pi)
M_LN10	2.30258509299404568402 /* log _e 10 */	The natural logarithm of the 10
M_LN2	0.69314718055994530942 /* log _e 2 */	The natural logarithm of the 2
M_LOG10E	0.43429448190325182765 /* log ₁₀ e */	The logarithm of the e to base 10
M_PI	3.14159265358979323846 /* pi */	The constant pi
M_PI_2	3.3V1.57079632679489661923 /* pi/2 */	The constant pi/2
M_PI_4	0.78539816339744830962 /* pi/4 */	The constant pi/4
M_SQRT1_2	0.70710678118654752440	The constant 1/sqrt(2)

	<code>/* 1/sqrt(2) */</code>	
<code>M_SQRT2</code>	1.41421356237309504880 <code>/* sqrt(2) */</code>	The square root of 2
<code>acosf</code>	-	The alias for <code>acos()</code> function
<code>asinf</code>	-	The alias for <code>asin()</code> function
<code>atan2f</code>	-	The alias for <code>atan2()</code> function
<code>cbrtf</code>	-	The alias for <code>cbrt()</code> function
<code>ceilf</code>	-	The alias for <code>ceil()</code> function
<code>copysignf</code>	-	The alias for <code>copysign()</code> function
<code>coshf</code>	-	The alias for <code>cosh()</code> function
<code>expf</code>	-	The alias for <code>exp()</code> function
<code>fabsf</code>	-	The alias for <code>fabs()</code> function
<code>fdimf</code>	-	The alias for <code>fdim()</code> function
<code>floorf</code>	-	The alias for <code>floor()</code> function
<code>fmaxf</code>	-	The alias for <code>fmax()</code> function
<code>fminf</code>	-	The alias for <code>fmin()</code> function
<code>fmodf</code>	-	The alias for <code>fmod()</code> function
<code>frexpf</code>	-	The alias for <code>frexp()</code> function
<code>hypotf</code>	-	The alias for <code>hypot()</code> function
<code>INFINITY</code>	-	INFINITY constant
<code>isfinitef</code>	-	The alias for <code>isfinite()</code> function
<code>isinf</code>	-	The alias for <code>isinf()</code> function
<code>isnanf</code>	-	The alias for <code>isnan()</code> function
<code>ldexpf</code>	-	The alias for <code>ldexp()</code> function

log10f	-	The alias for log10() function
logf	-	The alias for log() function
lrintf	-	The alias for lrint() function
lroundf	-	The alias for lround() function

Library Functions

The following functions are defined in the header **math.h**:

Library Function	Description
double acos (double __x)	The acos() function computes the principal value of the arc cosine of __x. The returned value is in the range [0, pi] radians. A domain error occurs for arguments not in the range [-1, +1].
double asin (double __x)	The asin() function computes the principal value of the arc sine of __x. The returned value is in the range [-pi/2, pi/2] radians. A domain error occurs for arguments not in the range [-1, +1].
double atan (double __x)	The atan() function computes the principal value of the arc tangent of __x. The returned value is in the range [-pi/2, pi/2] radians.
double atan2 (double __y, double __x)	The atan2() function computes the principal value of the arc tangent of __y / __x, using the signs of both arguments to determine the quadrant of the return value. The returned value is in the range [-pi, +pi] radians.
double cbrt (double __x)	The cbrt() function returns the cube root of __x.
double ceil (double __x)	The ceil() function returns the smallest integral value greater than or equal to __x, expressed as a floating-point number.
static double copysign (double __x, double __y)	The copysign() function returns __x but with the sign of __y. They work even if __x or __y are NaN or zero.
double cos(double __x)	The cos() function returns the cosine of __x, measured in radians.

double cosh (double __x)	The cosh() function returns the hyperbolic cosine of __x.
double exp (double __x)	The exp() function returns the exponential value of __x.
double fabs (double __x)	The fabs() function computes the absolute value of a floating-point number __x.
double fdim (double __x, double __y)	The fdim() function returns max(__x - __y, 0). If __x or __y or both are NaN, NaN is returned.
double floor (double __x)	The floor() function returns the largest integral value less than or equal to __x, expressed as a floating-point number.
double fma (double __x, double __y, double __z)	The fma() function performs floating-point multiply-add. This is the operation (__x * __y) + __z, but the intermediate result is not rounded to the destination type. This can sometimes improve the precision of a calculation.
double fmax (double __x, double __y)	The fmax() function returns the greater of the two values __x and __y. If an argument is NaN, the other argument is returned. If both the arguments are NaN, NaN is returned.
double fmin (double __x, double __y)	The fmin() function returns the lesser of the two values __x and __y. If an argument is NaN, the other argument is returned. If both the arguments are NaN, NaN is returned.
double fmod (double __x, double __y)	The function fmod() returns the floating-point remainder of __x / __y.
double frexp (double __x, int * __pexp)	<p>The frexp() function breaks a floating-point number into a normalized fraction and an integral power of 2. It stores the integer in the int object pointed to by __pexp. If __x is a normal float point number, the frexp() function returns the value v, such that v has a magnitude in the interval [1/2, 1) or zero, and __x equals v times 2 raised to the power __pexp. If __x is zero, both parts of the result are zero. If __x is not a finite number, the frexp() returns __x as is and stores 0 by __pexp.</p> <p>Note: This implementation permits a zero pointer as a directive to skip a storing the exponent.</p>

double hypot (double __x, double __y)	The hypot() function returns $\sqrt{__x*__x + __y*__y}$. This is the length of the hypotenuse of a right triangle with sides of length __x and __y, or the distance of the point (__x, __y) from the origin. Using this function instead of the direct formula is wise, since the error is much smaller. No underflow with small __x and __y. No overflow if result is in range.
static int isfinite (double __x)	The isfinite() function returns a nonzero value if __x is finite: not plus or minus infinity, and not NaN.
int isinf (double __x)	The function isinf() returns 1 if the argument __x is positive infinity, -1 if __x is negative infinity, and 0 otherwise. Note: The GCC 4.3 can replace this function with inline code that returns the 1 value for both infinities (gcc bug #35509).
int isnan (double __x)	The function isnan() returns 1 if the argument __x represents a "not-a-number" (NaN) object, otherwise 0.
double ldexp (double __x, int __exp)	The ldexp() function multiplies a floating-point number by an integral power of 2. It returns the value of __x times 2 raised to the power __exp.
double log (double __x)	The log() function returns the natural logarithm of argument __x.
double log10(double __x)	The log10() function returns the logarithm of argument __x to base 10.
long lrint (double __x)	The lrint() function rounds __x to the nearest integer, rounding the halfway cases to the even integer direction. (That is both 1.5 and 2.5 values are rounded to 2). This function is similar to rint() function, but it differs in type of return value and in that an overflow is possible. Returns The rounded long integer value. If __x is not a finite number or an overflow, this realization returns the LONG_MIN value (0x80000000).
long lround (double __x)	The lround() function rounds __x to the nearest integer, but rounds halfway cases away from zero (instead of to the nearest even integer). This function is similar to

	<p>round() function, but it differs in type of return value and in that an overflow is possible.</p> <p>Returns</p> <p>The rounded long integer value. If __x is not a finite number or an overflow was, this realization returns the LONG_MIN value (0x80000000).</p>
<p>double modf (double __x, double * __iptr)</p>	<p>The modf() function breaks the argument __x into integral and fractional parts, each of which has the same sign as the argument. It stores the integral part as a double in the object pointed to by __iptr.</p> <p>The modf() function returns the signed fractional part of __x.</p> <p>Note: This implementation skips writing by zero pointer. However, the GCC 4.3 can replace this function with inline code that does not permit to use NULL address for the avoiding of storing.</p>
<p>float modff (float __x, float * __iptr)</p>	<p>The alias for modf().</p>
<p>double pow (double __x, double __y)</p>	<p>The function pow() returns the value of __x to the exponent __y.</p>
<p>double round (double __x)</p>	<p>The round() function rounds __x to the nearest integer, but rounds halfway cases away from zero (instead of to the nearest even integer). Overflow is impossible.</p> <p>Returns</p> <p>The rounded value. If __x is an integral or infinite, __x itself is returned. If __x is NaN, then NaN is returned.</p>
<p>int signbit (double __x)</p>	<p>The signbit() function returns a nonzero value if the value of __x has its sign bit set. This is not the same as `__x < 0.0`, because IEEE 754 floating point allows zero to be signed. The comparison `-0.0 < 0.0` is false, but `signbit (-0.0)` will return a nonzero value.</p>
<p>double sin (double __x)</p>	<p>The sin() function returns the sine of __x, measured in radians.</p>
<p>double sinh (double __x)</p>	<p>The sinh() function returns the hyperbolic sine of __x.</p>

double sqrt (double __x)	The sqrt() function returns the non-negative square root of __x.
double square (double __x)	The function square() returns __x * __x. Note: This function does not belong to the C standard definition.
double tan (double __x)	The tan() function returns the tangent of __x, measured in radians.
double tanh (double __x)	The tanh() function returns the hyperbolic tangent of __x.
double trunc (double __x)	The trunc() function rounds __x to the nearest integer not larger in absolute value.

Example

The following example shows how to use the most common math.h library functions:

```
double double__x = 45.45 ;
double double__y = 30.20 ;
void setup()
{
  Serial.begin(9600);
  Serial.print("cos num = ");
  Serial.println (cos (double__x) ); // returns cosine of x
  Serial.print("absolute value of num = ");
  Serial.println (fabs (double__x) ); // absolute value of a float
  Serial.print("floating point modulo =");
  Serial.println (fmod (double__x, double__y)); // floating point modulo
  Serial.print("sine of num = ");
  Serial.println (sin (double__x) ) ;// returns sine of x
  Serial.print("square root of num : ");
  Serial.println (      sqrt (double__x) );// returns square root of x
  Serial.print("tangent of num : ");
  Serial.println (      tan (double__x) ); // returns tangent of x
  Serial.print("exponential value of num : ");
  Serial.println (exp (double__x) ); // function returns the exponential value
of x.
  Serial.print("cos num : ");
```

```

Serial.println (atan (double__x) ); // arc tangent of x
Serial.print("tangent of num : ");
Serial.println (atan2 (double__y, double__x) );// arc tangent of y/x
Serial.print("arc tangent of num : ");
Serial.println (log (double__x) ) ; // natural logarithm of x
Serial.print("cos num : ");
Serial.println (log10 (double__x)); // logarithm of x to base 10.
Serial.print("logarithm of num to base 10 : ");
Serial.println (pow (double__x, double__y) );// x to power of y
Serial.print("power of num : ");
Serial.println (square (double__x)); // square of x
}
void loop()
{
}

```

Result

```

cos num = 0.10
absolute value of num = 45.45
floating point modulo =15.25
sine of num = 0.99
square root of num : 6.74
tangent of num : 9.67
exponential value of num : ovf
cos num : 1.55
tangent of num : 0.59
arc tangent of num : 3.82
cos num : 1.66
logarithm of num to base 10 : inf
power of num : 2065.70

```

19. Arduino – Trigonometric Functions

You need to use Trigonometry practically like calculating the distance for moving object or angular speed. Arduino provides traditional trigonometric functions (sin, cos, tan, asin, acos, atan) that can be summarized by writing their prototypes. Math.h contains the trigonometry function's prototype.

Trigonometric Exact Syntax

```
double sin(double x); //returns sine of x radians
double cos(double y); //returns cosine of y radians
double tan(double x); //returns the tangent of x radians
double acos(double x); //returns A, the angle corresponding to  $\cos(A) = x$ 
double asin(double x); //returns A, the angle corresponding to  $\sin(A) = x$ 
double atan(double x); //returns A, the angle corresponding to  $\tan(A) = x$ 
```

Example

```
double sine = sin(2); // approximately 0.90929737091
double cosine = cos(2); // approximately -0.41614685058
double tangent = tan(2); // approximately -2.18503975868
```

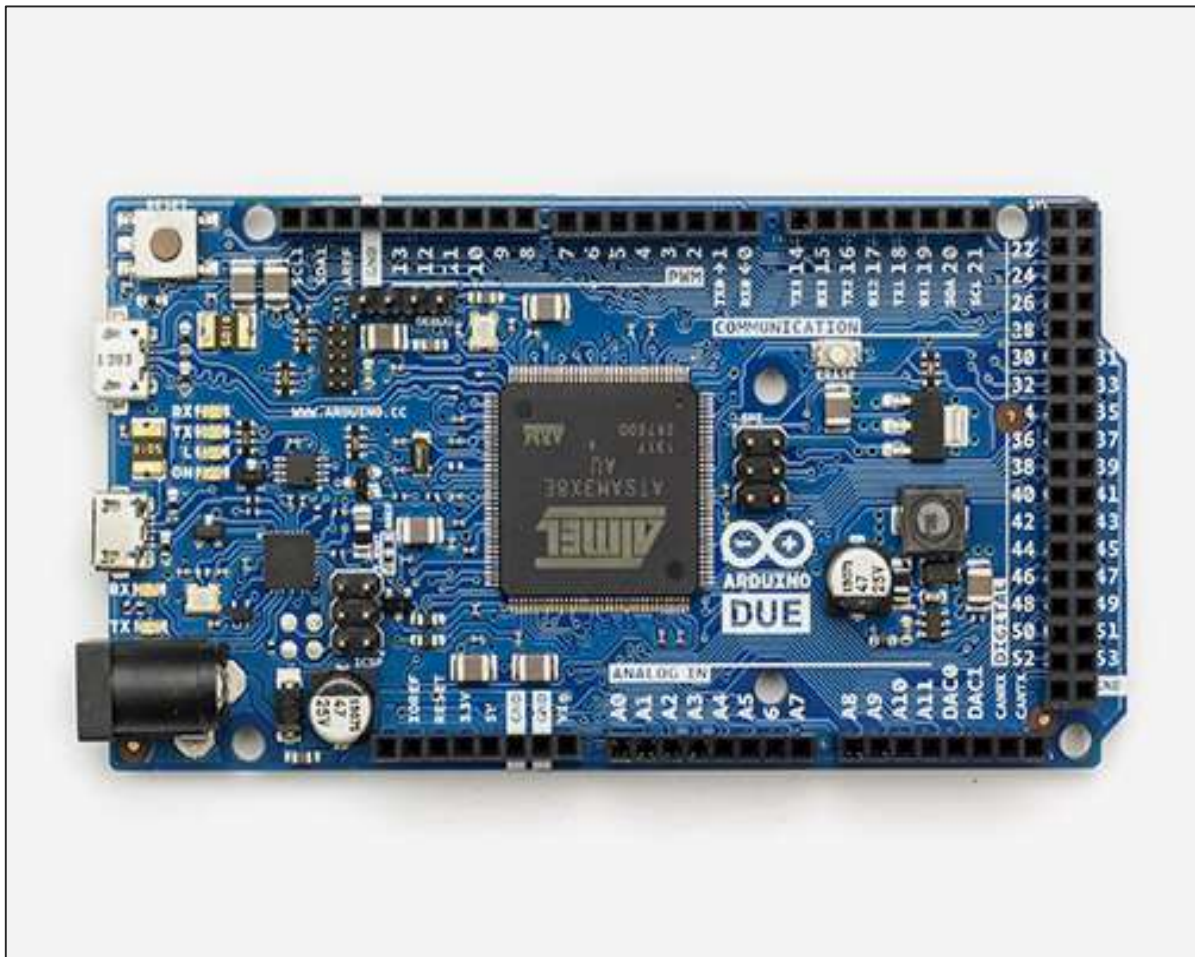
Arduino – Advanced

20. Arduino – Due & Zero

The Arduino Due is a microcontroller board based on the Atmel SAM3X8E ARM Cortex-M3 CPU. It is the first Arduino board based on a 32-bit ARM core microcontroller.

Important features -

- It has 54 digital input/output pins (of which 12 can be used as PWM outputs)
- 12 analog inputs
- 4 UARTs (hardware serial ports)
- 84 MHz clock, an USB OTG capable connection
- 2 DAC (digital to analog), 2 TWI, a power jack, an SPI header, a JTAG header
- Reset button and an erase button



Characteristics of the Arduino Due Board

Operating volt	CPU speed	Analog in/out	Digital IO/PWM	EEPROM [KB]	SRAM [KB]	Flash [KB]	USB	UART
3.3 Volt	84 Mhz	12/2	54/12	-	96	512	2 micro	4

Communication

- 4 Hardware UARTs
- 2 I2C
- 1 CAN Interface (Automotive communication protocol)
- 1 SPI
- 1 Interface JTAG (10 pin)
- 1 USB Host (like as Leonardo)
- 1 Programming Port

Unlike most Arduino boards, the Arduino Due board runs at 3.3V. The maximum voltage that the I/O pins can tolerate is 3.3V. Applying voltages higher than 3.3V to any I/O pin could damage the board.

The board contains everything needed to support the microcontroller. You can simply connect it to a computer with a micro-USB cable or power it with an AC-to-DC adapter or battery to get started. The Due is compatible with all Arduino shields that work at 3.3V.

Arduino Zero

The Zero is a simple and powerful 32-bit extension of the platform established by the UNO. The Zero board expands the family by providing increased performance, enabling a variety of project opportunities for devices, and acts as a great educational tool for learning about 32-bit application development.

Important features are -

- The Zero applications span from smart IoT devices, wearable technology, high-tech automation, to crazy robotics.
- The board is powered by Atmel's SAMD21 MCU, which features a 32-bit ARM Cortex® M0+ core.
- One of its most important features is Atmel's Embedded Debugger (EDBG), which provides a full debug interface without the need for additional hardware, significantly increasing the ease-of-use for software debugging.
- EDBG also supports a virtual COM port that can be used for device and bootloader programming.



Characteristics of the Arduino Zero board

Operating volt	CPU speed	Analog in/out	Digital IO/ PWM	EEPROM [KB]	SRAM [KB]	Flash [KB]	USB	UART
3.3 Volt	48 Mhz	6/1	14/10	-	32	256	2 micro	2

Unlike most Arduino and Genuino boards, the Zero runs at 3.3V. The maximum voltage that the I/O pins can tolerate is 3.3V. Applying voltages higher than 3.3V to any I/O pin could damage the board.

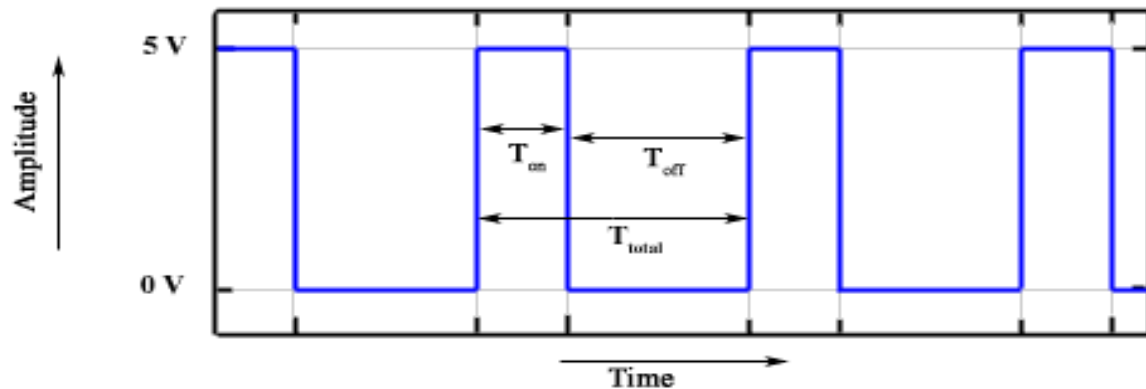
The board contains everything needed to support the microcontroller. You can simply connect it to a computer with a micro-USB cable or power it with an AC-to-DC adapter or a battery to get started. The Zero is compatible with all the shields that work at 3.3V.

21. Arduino – Pulse Width Modulation

Pulse Width Modulation or PWM is a common technique used to vary the width of the pulses in a pulse-train. PWM has many applications such as controlling servos and speed controllers, limiting the effective power of motors and LEDs.

Basic Principle of PWM

Pulse width modulation is basically, a square wave with a varying high and low time. A basic PWM signal is shown in the following figure.



There are various terms associated with PWM:

- **On-Time:** Duration of time signal is high.
- **Off-Time:** Duration of time signal is low.
- **Period:** It is represented as the sum of on-time and off-time of PWM signal.
- **Duty Cycle:** It is represented as the percentage of time signal that remains on during the period of the PWM signal.

Period

As shown in the figure, T_{on} denotes the on-time and T_{off} denotes the off-time of signal. Period is the sum of both on and off times and is calculated as shown in the following equation:

$$T_{total} = T_{on} + T_{off}$$

Duty Cycle

Duty cycle is calculated as the on-time of the period of time. Using the period calculated above, duty cycle is calculated as -

$$D = \frac{T_{on}}{(T_{on} + T_{off})} = \frac{T_{on}}{T_{total}}$$

analogWrite() Function

The **analogWrite()** function writes an analog value (PWM wave) to a pin. It can be used to light a LED at varying brightness or drive a motor at various speeds. After a call of the `analogWrite()` function, the pin will generate a steady square wave of the specified duty cycle until the next call to `analogWrite()` or a call to `digitalRead()` or `digitalWrite()` on the same pin). The frequency of the PWM signal on most pins is approximately 490 Hz. On the Uno and similar boards, pins 5 and 6 have a frequency of approximately 980 Hz. Pins 3 and 11 on the Leonardo also run at 980 Hz.

On most Arduino boards (those with the ATmega168 or ATmega328), this function works on pins 3, 5, 6, 9, 10, and 11. On the Arduino Mega, it works on pins 2 - 13 and 44 - 46. Older Arduino boards with an ATmega8 only support **analogWrite()** on pins 9, 10, and 11.



The Arduino Due supports **analogWrite()** on pins 2 through 13, and pins DAC0 and DAC1. Unlike the PWM pins, DAC0 and DAC1 are Digital to Analog converters, and act as true analog outputs.

You do not need to call `pinMode()` to set the pin as an output before calling `analogWrite()`.

analogWrite() Function Syntax

```
analogWrite ( pin , value ) ;
```

value: the duty cycle: between 0 (always off) and 255 (always on).

Example

```
int    ledPin = 9;        // LED connected to digital pin 9
int    analogPin = 3;    // potentiometer connected to analog pin 3
int val = 0;             // variable to store the read value
void setup()
{
  pinMode(ledPin, OUTPUT); // sets the pin as output
}
void loop()
{
  val = analogRead(analogPin); // read the input pin
  analogWrite(ledPin, (val / 4)); // analogRead values go from 0 to 1023,
  analogWrite values from 0 to 255
}
```

22. Arduino – Random Numbers

To generate random numbers, you can use Arduino random number functions. We have two functions -

- randomSeed(seed)
- random()

randomSeed (seed)

The function randomSeed(seed) resets Arduino's pseudorandom number generator. Although the distribution of the numbers returned by random() is essentially random, the sequence is predictable. You should reset the generator to some random value. If you have an unconnected analog pin, it might pick up random noise from the surrounding environment. These may be radio waves, cosmic rays, electromagnetic interference from cell phones, fluorescent lights and so on.

Example

```
randomSeed(analogRead(5)); // randomize using noise from analog pin 5
```

random()

The random function generates pseudo-random numbers. Following is the syntax.

random() Statements Syntax

```
long random(max) // it generate random numbers from 0 to max  
long random(min, max) // it generate random numbers from min to max
```

Example

```
long randNumber;  
void setup()  
{  
  Serial.begin(9600);  
  // if analog input pin 0 is unconnected, random analog  
  // noise will cause the call to randomSeed() to generate  
  // different seed numbers each time the sketch runs.  
  // randomSeed() will then shuffle the random function.
```

```

    randomSeed(analogRead(0));
}
void loop() {
    // print a random number from 0 to 299
    Serial.print("random1=");
    randomNumber = random(300);
    Serial.println(randomNumber); // print a random number from 0 to 299
    Serial.print("random2=");
    randomNumber = random(10, 20); // print a random number from 10 to 19
    Serial.println (randomNumber);
    delay(50);
}

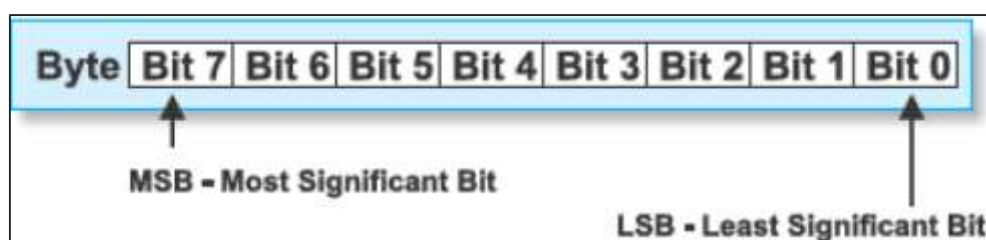
```

Let us now refresh our knowledge on some of the basic concepts such as bits and bytes.

Bits

A bit is just a binary digit.

- The binary system uses two digits, 0 and 1.
- Similar to the decimal number system, in which digits of a number do not have the same value, the 'significance' of a bit depends on its position in the binary number. For example, digits in the decimal number 666 are the same, but have different values.



Bytes

A byte consists of eight bits.

- If a bit is a digit, it is logical that bytes represent numbers.
- All mathematical operations can be performed upon them.
- The digits in a byte do not have the same significance either.

- The leftmost bit has the greatest value called the Most Significant Bit (MSB).
- The rightmost bit has the least value and is therefore, called the Least Significant Bit (LSB).
- Since eight zeros and ones of one byte can be combined in 256 different ways, the largest decimal number that can be represented by one byte is 255 (one combination represents a zero).

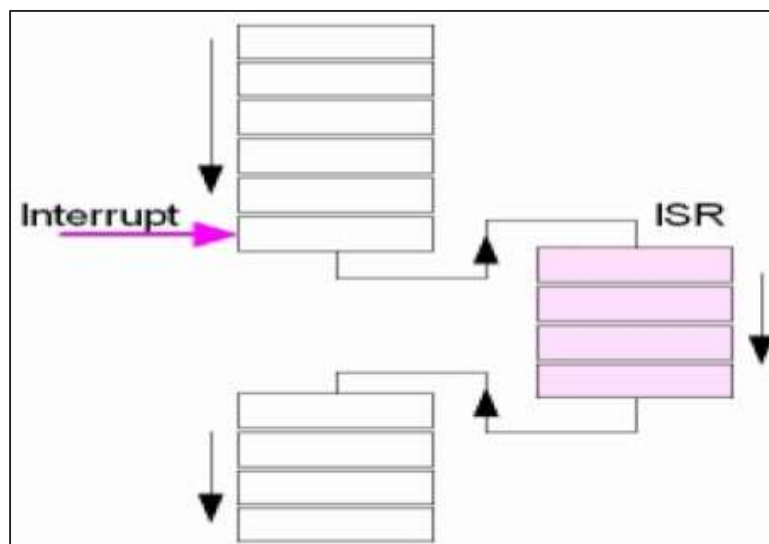
23. Arduino – Interrupts

Interrupts stop the current work of Arduino such that some other work can be done.

Suppose you are sitting at home, chatting with someone. Suddenly the telephone rings. You stop chatting, and pick up the telephone to speak to the caller. When you have finished your telephonic conversation, you go back to chatting with the person before the telephone rang.

Similarly, you can think of the main routine as chatting to someone, the telephone ringing causes you to stop chatting. The interrupt service routine is the process of talking on the telephone. When the telephone conversation ends, you then go back to your main routine of chatting. This example explains exactly how an interrupt causes a processor to act.

The main program is running and performing some function in a circuit. However, when an interrupt occurs the main program halts while another routine is carried out. When this routine finishes, the processor goes back to the main routine again.



Important features

Here are some important features about interrupts:

- Interrupts can come from various sources. In this case, we are using a hardware interrupt that is triggered by a state change on one of the digital pins.
- Most Arduino designs have two hardware interrupts (referred to as "interrupt0" and "interrupt1") hard-wired to digital I/O pins 2 and 3, respectively.
- The Arduino Mega has six hardware interrupts including the additional interrupts ("interrupt2" through "interrupt5") on pins 21, 20, 19, and 18.

- You can define a routine using a special function called as “Interrupt Service Routine” (usually known as ISR).
- You can define the routine and specify conditions at the rising edge, falling edge or both. At these specific conditions, the interrupt would be serviced.
- It is possible to have that function executed automatically, each time an event happens on an input pin.

Types of Interrupts

There are two types of interrupts -

- **Hardware Interrupts** - They occur in response to an external event, such as an external interrupt pin going high or low.
- **Software Interrupts** - They occur in response to an instruction sent in software. The only type of interrupt that the “Arduino language” supports is the `attachInterrupt()` function.

Using Interrupts in Arduino

Interrupts are very useful in Arduino programs as it helps in solving timing problems. A good application of an interrupt is reading a rotary encoder or observing a user input. Generally, an ISR should be as short and fast as possible. If your sketch uses multiple ISRs, only one can run at a time. Other interrupts will be executed after the current one finishes in an order that depends on the priority they have.

Typically, global variables are used to pass data between an ISR and the main program. To make sure variables shared between an ISR and the main program are updated correctly, declare them as `volatile`.

attachInterrupt Statement Syntax

```
attachInterrupt(digitalPinToInterrupt(pin),ISR,mode);//recommended for arduino
board
attachInterrupt(pin, ISR, mode) ;    //recommended Arduino Due, Zero only
//argument pin:  the pin number
//argument ISR:  the ISR to call when the interrupt occurs; this function must
take no parameters and return nothing. This function is sometimes referred to as
an interrupt service routine.
//argument mode: defines when the interrupt should be triggered.
```

The following three constants are predefined as valid values -

- **LOW** to trigger the interrupt whenever the pin is low.
- **CHANGE** to trigger the interrupt whenever the pin changes value.
- **FALLING** whenever the pin goes from high to low.

Example

```
int pin = 2;                //define interrupt pin to 2

volatile int state = LOW;   // To make sure variables shared between an ISR
//the main program are updated correctly,declare them as volatile.

void setup() {
  pinMode(13, OUTPUT);     //set pin 13 as output
  attachInterrupt(digitalPinToInterrupt(pin), blink, CHANGE);
  //interrupt at pin 2 blink ISR when pin to change the value
}

void loop() {
  digitalWrite(13, state); //pin 13 equal the state value
}

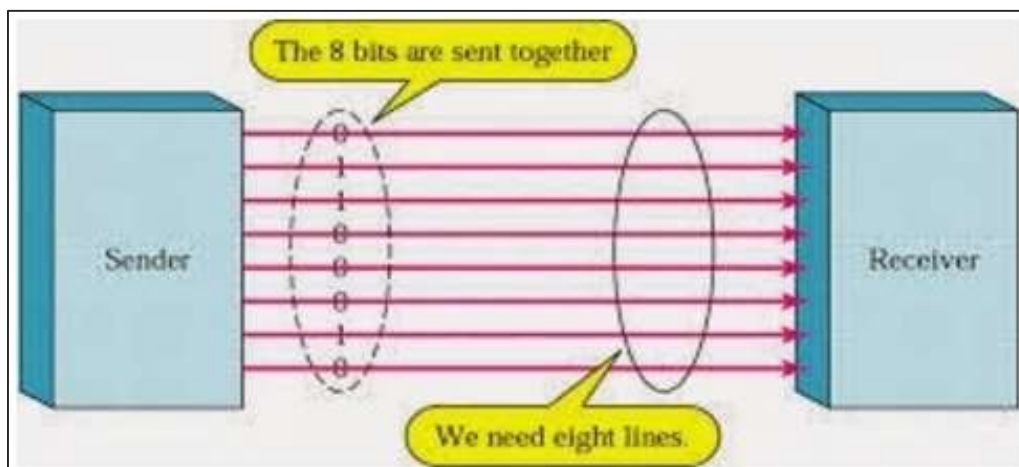
void blink() { //ISR function
  state = !state;        //toggle the state when the interrupt occurs
}
```


24. Arduino – Communication

Hundreds of communication protocols have been defined to achieve this data exchange. Each protocol can be categorized into one of the two categories: parallel or serial.

Parallel Communication

Parallel connection between the Arduino and peripherals via input/output ports is the ideal solution for shorter distances up to several meters. However, in other cases when it is necessary to establish communication between two devices for longer distances it is not possible to use parallel connection. Parallel interfaces transfer multiple bits at the same time. They usually require buses of data - transmitting across eight, sixteen, or more wires. Data is transferred in huge, crashing waves of 1's and 0's.



Advantages and Drawbacks of Parallel Communication

Parallel communication certainly has its advantages. It is faster than serial, straightforward, and relatively easy to implement. However, it requires many input/output (I/O) ports and lines. If you have ever had to move a project from a basic Arduino Uno to a Mega, you know that the I/O lines on a microprocessor can be precious and few. Therefore, we prefer serial communication, sacrificing potential speed for pin real estate.

Serial Communication Modules

Today, most Arduino boards are built with several different systems for serial communication as standard equipment.

Which of these systems are used depends on the following factors -

- How many devices the microcontroller has to exchange data with?
- How fast the data exchange has to be?
- What is the distance between these devices?

- Is it necessary to send and receive data simultaneously?

One of the most important things concerning serial communication is the **Protocol**, which should be strictly observed. It is a set of rules, which must be applied such that the devices can correctly interpret data they mutually exchange. Fortunately, Arduino automatically takes care of this, so that the work of the programmer/user is reduced to simple write (data to be sent) and read (received data).

Types of Serial Communications

Serial communication can be further classified as –

- **Synchronous** - Devices that are synchronized use the same clock and their timing is in synchronization with each other.
- **Asynchronous** - Devices that are asynchronous have their own clocks and are triggered by the output of the previous state.

It is easy to find out if a device is synchronous or not. If the same clock is given to all the connected devices, then they are synchronous. If there is no clock line, it is asynchronous.

For example, UART (Universal Asynchronous Receiver Transmitter) module is asynchronous.

The asynchronous serial protocol has a number of built-in rules. These rules are nothing but mechanisms that help ensure robust and error-free data transfers. These mechanisms, which we get for eschewing the external clock signal, are:

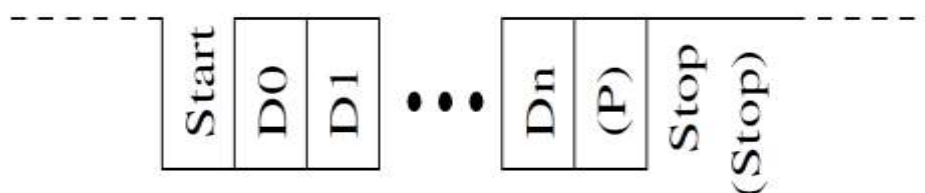
- Synchronization bits
- Data bits
- Parity bits
- Baud rate

Synchronization Bits

The synchronization bits are two or three special bits transferred with each packet of data. They are the start bit and the stop bit(s). True to their name, these bits mark the beginning and the end of a packet respectively.

There is always only one start bit, but the number of stop bits is configurable to either one or two (though it is normally left at one).

The start bit is always indicated by an idle data line going from 1 to 0, while the stop bit(s) will transition back to the idle state by holding the line at 1.



Data Bits

The amount of data in each packet can be set to any size from 5 to 9 bits. Certainly, the standard data size is your basic 8-bit byte, but other sizes have their uses. A 7-bit data packet can be more efficient than 8, especially if you are just transferring 7-bit ASCII characters.

Parity Bits

The user can select whether there should be a parity bit or not, and if yes, whether the parity should be odd or even. The parity bit is 0 if the number of 1's among the data bits is even. Odd parity is just the opposite.


Baud Rate

The term baud rate is used to denote the number of bits transferred per second [bps]. Note that it refers to bits, not bytes. It is usually required by the protocol that each byte is transferred along with several control bits. It means that one byte in serial data stream may consist of 11 bits. For example, if the baud rate is 300 bps then maximum 37 and minimum 27 bytes may be transferred per second.

Arduino UART

The following code will make Arduino send hello world when it starts up.

```
void setup()
{
  Serial.begin(9600);           //set up serial library baud rate to 9600
  Serial.println("hello world"); //print hello world
}
void loop()
{
}
```

After the Arduino sketch has been uploaded to Arduino, open the Serial monitor  at the top right section of Arduino IDE.

Type anything into the top box of the Serial Monitor and press send or enter on your keyboard. This will send a series of bytes to the Arduino.

The following code returns whatever it receives as an input.

The following code will make Arduino deliver output depending on the input provided.

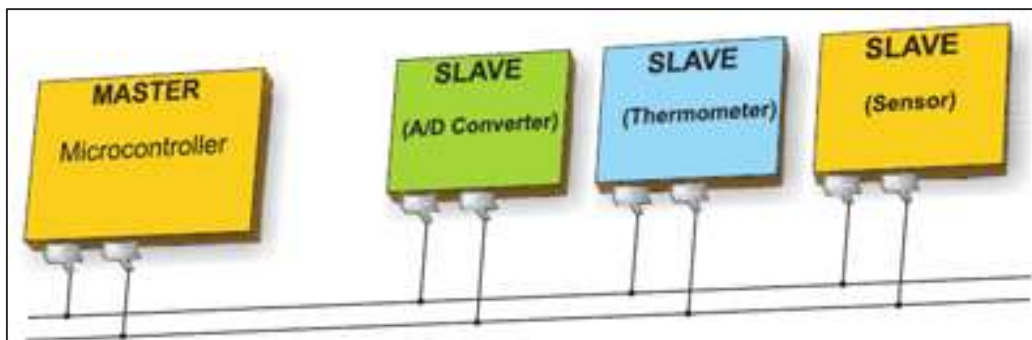
```
void setup()
{
  Serial.begin(9600);    //set up serial library baud rate to 9600
}
void loop()
{
  if(Serial.available()) //if number of bytes (characters) available for reading
  from
  { serial port
    Serial.print("I received:"); //print I received
    Serial.write(Serial.read()); //send what you read
  }
}
```

Notice that **Serial.print** and **Serial.println** will send back the actual ASCII code, whereas **Serial.write** will send back the actual text. See ASCII codes for more information.

25. Arduino – Inter Integrated Circuit

Inter-integrated circuit (I2C) is a system for serial data exchange between the microcontrollers and specialized integrated circuits of a new generation. It is used when the distance between them is short (receiver and transmitter are usually on the same printed board). Connection is established via two conductors. One is used for data transfer and the other is used for synchronization (clock signal).

As seen in the following figure, one device is always a master. It performs addressing of one slave chip before the communication starts. In this way, one microcontroller can communicate with 112 different devices. Baud rate is usually 100 Kb/sec (standard mode) or 10 Kb/sec (slow baud rate mode). Systems with the baud rate of 3.4 Mb/sec have recently appeared. The distance between devices, which communicate over an I2C bus is limited to several meters.



Board I2C Pins

The I2C bus consists of two signals: SCL and SDA. SCL is the clock signal, and SDA is the data signal. The current bus master always generates the clock signal. Some slave devices may force the clock low at times to delay the master sending more data (or to require more time to prepare data before the master attempts to clock it out). This is known as "clock stretching".

Following are the pins for different Arduino boards -

- Uno, Pro Mini A4 (SDA), A5 (SCL)
- Mega, Due 20 (SDA), 21 (SCL)
- Leonardo, Yun 2 (SDA), 3 (SCL)

Arduino I2C

We have two modes - master code and slave code - to connect two Arduino boards using I2C. They are:

- Master Transmitter / Slave Receiver
- Master Receiver / Slave Transmitter

Master Transmitter / Slave Receiver

Let us now see what is master transmitter and slave receiver.

Master Transmitter

The following functions are used to initialize the Wire library and join the I2C bus as a master or slave. This is normally called only once.

- **Wire.begin(address)** – Address is the 7-bit slave address in our case as the master is not specified and it will join the bus as a master.
- **Wire.beginTransmission(address)** – Begin a transmission to the I2C slave device with the given address.
- **Wire.write(value)** – Queues bytes for transmission from a master to slave device (in-between calls to beginTransmission() and endTransmission()).
- **Wire.endTransmission()** – Ends a transmission to a slave device that was begun by beginTransmission() and transmits the bytes that were queued by wire.write().

Example

```
#include <Wire.h>           //include wire library
void setup()               //this will run only once
{
  Wire.begin();           // join i2c bus as master
}
short age = 0;
void loop()
{
  Wire.beginTransmission(2); // transmit to device #2
  Wire.write("age is=");
  Wire.write(age);          // sends one byte
  Wire.endTransmission();  // stop transmitting
  delay(1000);
}
```

Slave Receiver

The following functions are used –

- **Wire.begin(address)** – Address is the 7-bit slave address.
- **Wire.onReceive(received data handler)** – Function to be called when a slave device receives data from the master.
- **Wire.available()** – Returns the number of bytes available for retrieval with Wire.read(). This should be called inside the Wire.onReceive() handler.

Example

```

#include <Wire.h>                //include wire library
void setup()                    //this will run only once
{
  Wire.begin(2);                // join i2c bus with address #2
  Wire.onReceive(receiveEvent); // call receiveEvent when the master send any
  thing
  Serial.begin(9600);           // start serial for output to print what we
  receive
}
void loop()
{
  delay(250);
}

//-----this function will execute whenever data is received from master-----//
void receiveEvent(int howMany)
{
  while (Wire.available() > 1) // loop through all but the last
  {
    char c = Wire.read();       // receive byte as a character
    Serial.print(c);           // print the character
  }
}

```

Master Receiver / Slave Transmitter

Let us now see what is master receiver and slave transmitter.

Master Receiver

The Master, is programmed to request, and then read bytes of data that are sent from the uniquely addressed Slave Arduino.

The following function is used:

Wire.requestFrom(address,number of bytes) – Used by the master to request bytes from a slave device. The bytes may then be retrieved with the functions wire.available() and wire.read() functions.

Example

```
#include <Wire.h> //include wire library void setup()
{
  Wire.begin();           // join i2c bus (address optional for master)
  Serial.begin(9600);     // start serial for output
}
void loop()
{
  Wire.requestFrom(2, 1); // request 1 bytes from slave device #2
  while (Wire.available() // slave may send less than requested
  {
    char c = Wire.read(); // receive a byte as character
    Serial.print(c);      // print the character
  }
  delay(500);
}
```

Slave Transmitter

The following function is used.

Wire.onRequest(handler) – A function is called when a master requests data from this slave device.

Example

```
#include <Wire.h>
void setup()
{
  Wire.begin(2);           // join i2c bus with address #2
  Wire.onRequest(requestEvent); // register event
}
Byte x=0;
void loop() {
  delay(100);
}

// function that executes whenever data is requested by master
// this function is registered as an event, see setup()
void requestEvent()
{
  Wire.write(x);          // respond with message of 1 bytes as expected by master
  x++;
}
```


26. Arduino – Serial Peripheral Interface

A Serial Peripheral Interface (SPI) bus is a system for serial communication, which uses up to four conductors, commonly three. One conductor is used for data receiving, one for data sending, one for synchronization and one alternatively for selecting a device to communicate with. It is a full duplex connection, which means that the data is sent and received simultaneously. The maximum baud rate is higher than that in the I2C communication system.

Board SPI Pins

SPI uses the following four wires:

- **SCK:** This is the serial clock driven by the master.
- **MOSI:** This is the master output / slave input driven by the master.
- **MISO:** This is the master input / slave output driven by the master.
- **SS:** This is the slave-selection wire.

The following functions are used. You have to include the SPI.h.

- **SPI.begin()** - Initializes the SPI bus by setting SCK, MOSI, and SS to outputs, pulling SCK and MOSI low, and SS high.
- **SPI.setClockDivider(divider)** - To set the SPI clock divider relative to the system clock. On AVR based boards, the dividers available are 2, 4, 8, 16, 32, 64 or 128. The default setting is SPI_CLOCK_DIV4, which sets the SPI clock to one-quarter of the frequency of the system clock (5 Mhz for the boards at 20 MHz).
- **Divider:** It could be (SPI_CLOCK_DIV2, SPI_CLOCK_DIV4, SPI_CLOCK_DIV8, SPI_CLOCK_DIV16, SPI_CLOCK_DIV32, SPI_CLOCK_DIV64, SPI_CLOCK_DIV128).
- **SPI.transfer(val)** - SPI transfer is based on a simultaneous send and receive: the received data is returned in receivedVal.
- **SPI.beginTransaction(SPISettings(speedMaximum, dataOrder, dataMode))** - speedMaximum is the clock, dataOrder(MSBFIRST or LSBFIRST), dataMode(SPI_MODE0, SPI_MODE1, SPI_MODE2, or SPI_MODE3).

We have four modes of operation in SPI as follows -

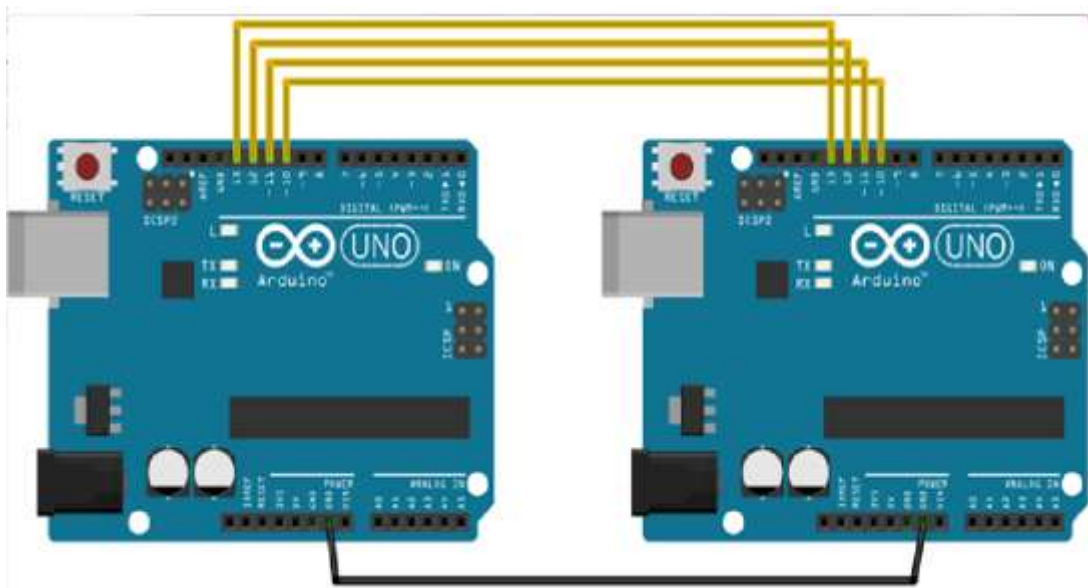
- **Mode 0 (the default)** - Clock is normally low (CPOL = 0), and the data is sampled on the transition from low to high (leading edge) (CPHA = 0).
- **Mode 1** - Clock is normally low (CPOL = 0), and the data is sampled on the transition from high to low (trailing edge) (CPHA = 1).

- **Mode 2** - Clock is normally high (CPOL = 1), and the data is sampled on the transition from high to low (leading edge) (CPHA = 0).
- **Mode 3** - Clock is normally high (CPOL = 1), and the data is sampled on the transition from low to high (trailing edge) (CPHA = 1).
- **SPI.attachInterrupt(handler)** - Function to be called when a slave device receives data from the master.

Now, we will connect two Arduino UNO boards together; one as a master and the other as a slave.

- (SS) : pin 10
- (MOSI) : pin 11
- (MISO) : pin 12
- (SCK) : pin 13

The ground is common. Following is the diagrammatic representation of the connection between both the boards -



Let us see examples of SPI as Master and SPI as Slave.

SPI as MASTER

Example

```
#include <SPI.h>
void setup (void)
{
  Serial.begin(115200);           //set baud rate to 115200 for usart
}
```

```

digitalWrite(SS, HIGH);          // disable Slave Select
SPI.begin ();
SPI.setClockDivider(SPI_CLOCK_DIV8);//divide the clock by 8
}
void loop (void)
{
  char c;
  digitalWrite(SS, LOW);          // enable Slave Select
  // send test string
  for (const char * p = "Hello, world!\n" ; c = *p; p++) {
    SPI.transfer (c);
    Serial.print(c);
  }
  digitalWrite(SS, HIGH);          // disable Slave Select
  delay(2000);
}

```

SPI as SLAVE

Example

```

#include <SPI.h>
char buff [50];
volatile byte indx;
volatile boolean process;
void setup (void)
{
  Serial.begin (115200);

  pinMode(MISO, OUTPUT);          // have to send on master in so it set as output
  SPCR |= _BV(SPE);              // turn on SPI in slave mode
  indx = 0;                      // buffer empty
  process = false;
  SPI.attachInterrupt();         // turn on interrupt
}
ISR (SPI_STC_vect)              // SPI interrupt routine
{ byte c = SPDR;                // read byte from SPI Data Register

```

```
if (indx < sizeof buff)
{
    buff [indx++] = c;           // save data in the next index in the array buff
    if (c == '\r')              // check for the end of the word
        process = true;
}
}
void loop (void)
{
    if (process)
    {
        process = false;        // reset the process
        Serial.println (buff);  // print the array on serial monitor
        indx= 0;                // reset button to zero
    }
}
```

Arduino – Projects

27. Arduino – Blinking LED

LEDs are small, powerful lights that are used in many different applications. To start, we will work on blinking an LED, the Hello World of microcontrollers. It is as simple as turning a light on and off. Establishing this important baseline will give you a solid foundation as we work towards experiments that are more complex.

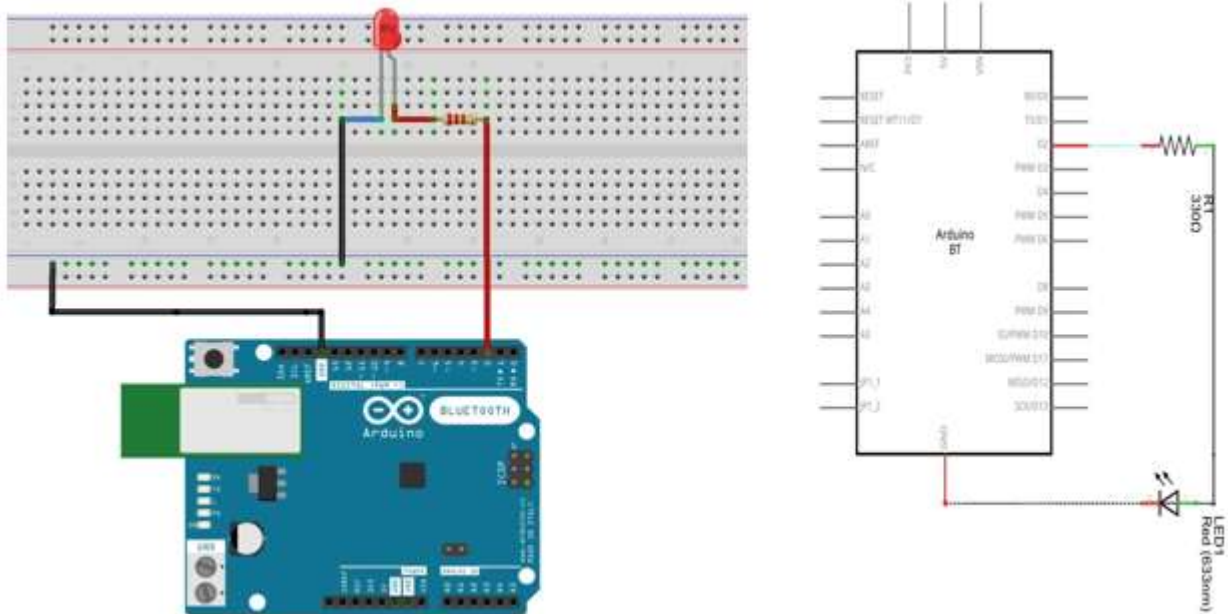
Components Required

You will need the following components -

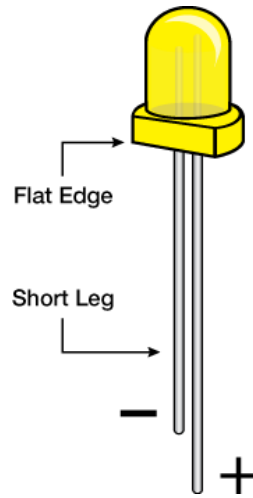
- 1x Breadboard
- 1x Arduino Uno R3
- 1x LED
- 1x 330 Ω Resistor
- 2x Jumper

Procedure

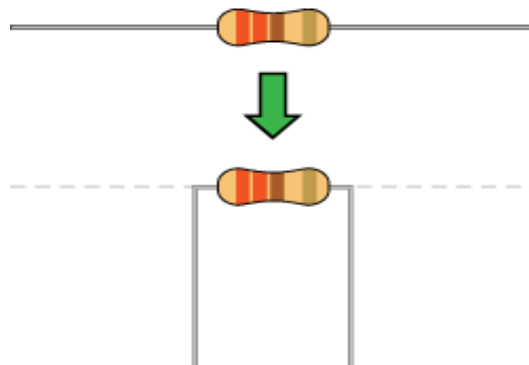
Follow the circuit diagram and hook up the components on the breadboard as shown in the image given below.



Note: To find out the polarity of an LED, look at it closely. The shorter of the two legs, towards the flat edge of the bulb indicates the negative terminal.

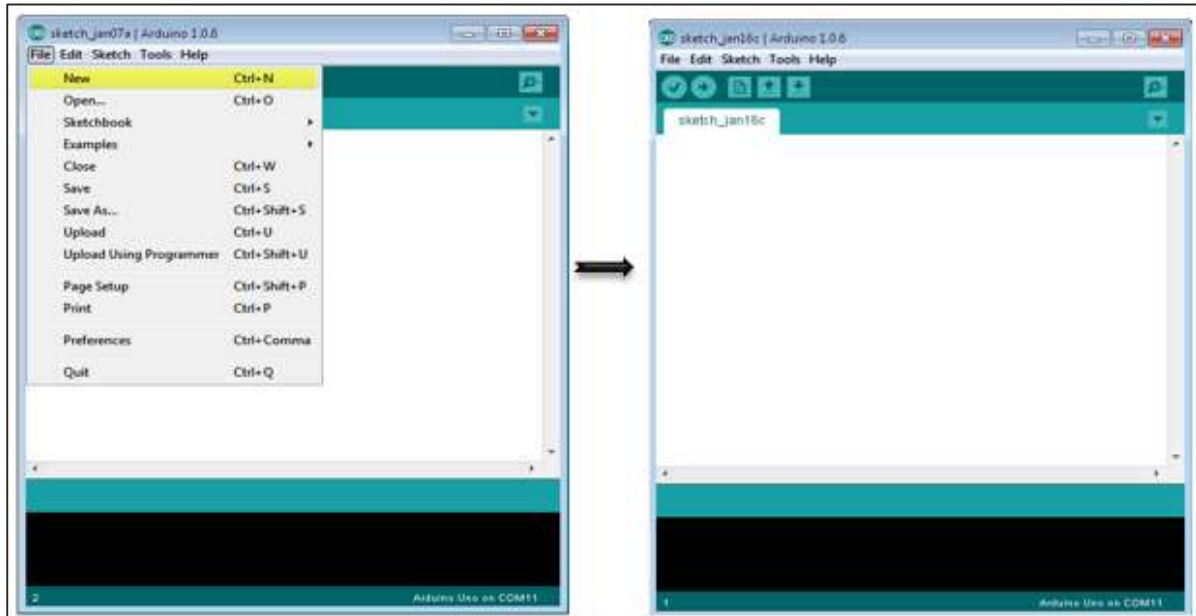


Components like resistors need to have their terminals bent into 90° angles in order to fit the breadboard sockets properly. You can also cut the terminals shorter.



Sketch

Open the Arduino IDE software on your computer. Coding in the Arduino language will control your circuit. Open the new sketch File by clicking New.



Arduino Code

```

/*
  Blink
  Turns on an LED on for one second, then off for one second, repeatedly.
*/
// the setup function runs once when you press reset or power the board
void setup()
{
  // initialize digital pin 13 as an output.
  pinMode(2, OUTPUT);
}
// the loop function runs over and over again forever
void loop()
{
  digitalWrite(2, HIGH); // turn the LED on (HIGH is the voltage level)
  delay(1000);           // wait for a second
  digitalWrite(2, LOW); // turn the LED off by making the voltage LOW
  delay(1000);           // wait for a second
}

```


Code to Note

pinMode(2, OUTPUT) - Before you can use one of Arduino's pins, you need to tell Arduino Uno R3 whether it is an INPUT or OUTPUT. We use a built-in "function" called pinMode() to do this.

digitalWrite(2, HIGH) - When you are using a pin as an OUTPUT, you can command it to be HIGH (output 5 volts), or LOW (output 0 volts).

Result

You should see your LED turn on and off. If the required output is not seen, make sure you have assembled the circuit correctly, and verified and uploaded the code to your board.

28. Arduino – Fading LED

This example demonstrates the use of the `analogWrite()` function in fading an LED off. `AnalogWrite` uses pulse width modulation (PWM), turning a digital pin on and off very quickly with different ratios between on and off, to create a fading effect.

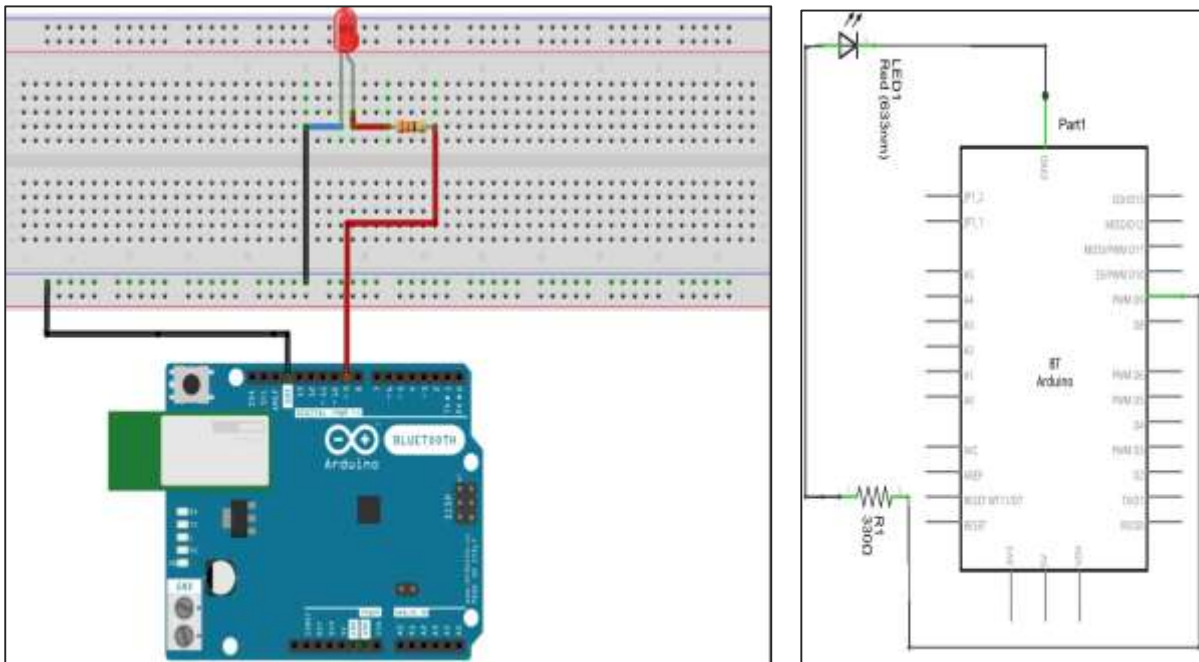
Components Required

You will need the following components-

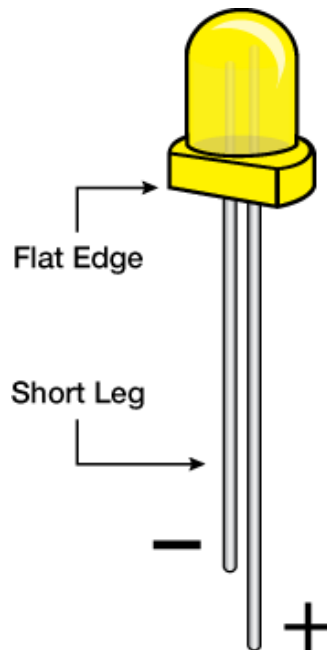
- 1x Breadboard
- 1x Arduino Uno R3
- 1x LED
- 1x 330Ω Resistor
- 2x Jumper

Procedure

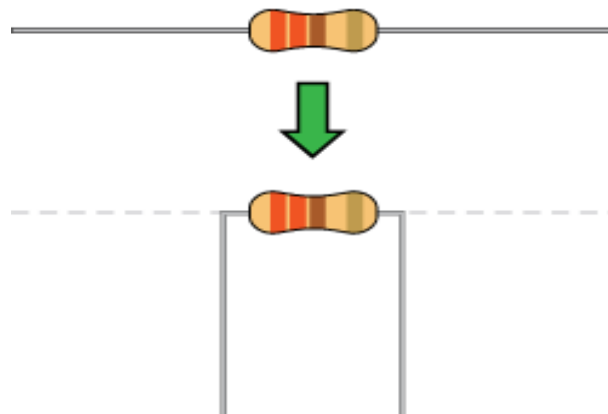
Follow the circuit diagram and hook up the components on the breadboard as shown in the image given below.



Note: To find out the polarity of an LED, look at it closely. The shorter of the two legs towards the flat edge of the bulb indicates the negative terminal.

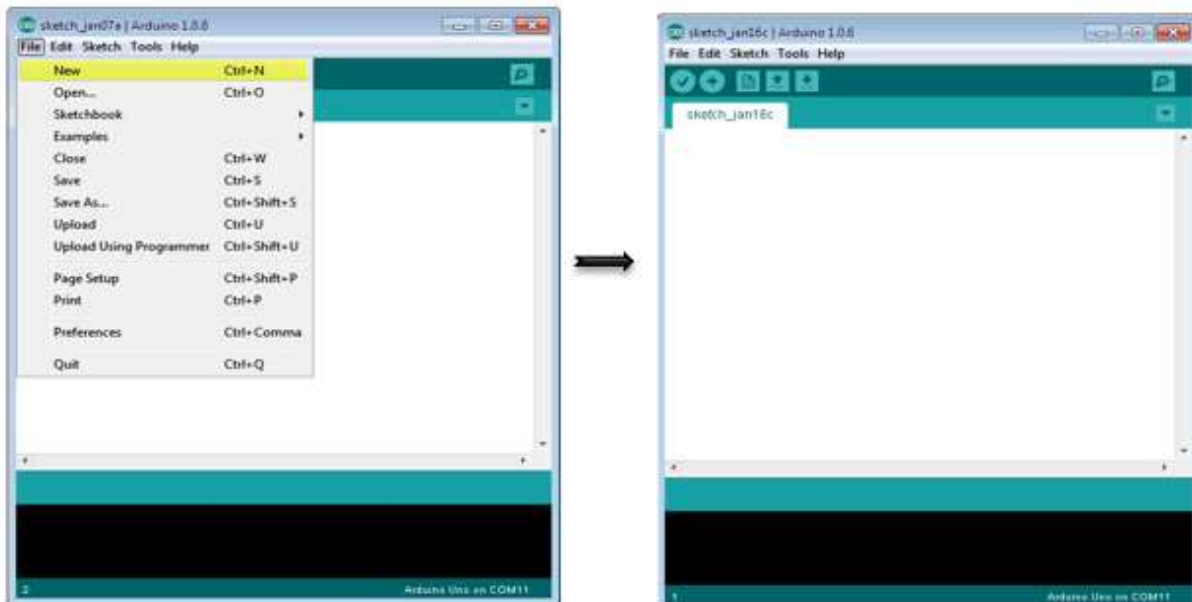


Components like resistors need to have their terminals bent into 90° angles in order to fit the breadboard sockets properly. You can also cut the terminals shorter.



Sketch

Open the Arduino IDE software on your computer. Coding in the Arduino language will control your circuit. Open a new sketch File by clicking on New.



Arduino Code

```

/*
  Fade
  This example shows how to fade an LED on pin 9
  using the analogWrite() function.

  The analogWrite() function uses PWM, so if you want to change the pin you're
  using, be
  sure to use another PWM capable pin. On most Arduino, the PWM pins are identified
  with
  a "~" sign, like ~3, ~5, ~6, ~9, ~10 and ~11.
  */

int led = 9;           // the PWM pin the LED is attached to
int brightness = 0;   // how bright the LED is
int fadeAmount = 5;   // how many points to fade the LED by

```

```
// the setup routine runs once when you press reset:
void setup()
{
  // declare pin 9 to be an output:
  pinMode(led, OUTPUT);
}

// the loop routine runs over and over again forever:
void loop()
{
  // set the brightness of pin 9:
  analogWrite(led, brightness);

  // change the brightness for next time through the loop:
  brightness = brightness + fadeAmount;

  // reverse the direction of the fading at the ends of the fade:
  if (brightness == 0 || brightness == 255)
  {
    fadeAmount = -fadeAmount ;
  }
  // wait for 30 milliseconds to see the dimming effect
  delay(300);
}
```

Code to Note

After declaring pin 9 as your LED pin, there is nothing to do in the setup() function of your code. The analogWrite() function that you will be using in the main loop of your code requires two arguments: One, telling the function which pin to write to and the other indicating what PWM value to write.

In order to fade the LED off and on, gradually increase the PWM values from 0 (all the way off) to 255 (all the way on), and then back to 0, to complete the cycle. In the sketch given above, the PWM value is set using a variable called brightness. Each time through the loop, it increases by the value of the variable **fadeAmount**.

If brightness is at either extreme of its value (either 0 or 255), then fadeAmount is changed to its negative. In other words, if fadeAmount is 5, then it is set to -5. If it is -5, then it is set to 5. The next time through the loop, this change causes brightness to change direction as well.

analogWrite() can change the PWM value very fast, so the delay at the end of the sketch controls the speed of the fade. Try changing the value of the delay and see how it changes the fading effect.

Result

You should see your LED brightness change gradually.

29. Arduino – Reading Analog Voltage

This example will show you how to read an analog input on analog pin 0. The input is converted from `analogRead()` into voltage, and printed out to the serial monitor of the Arduino Software (IDE).

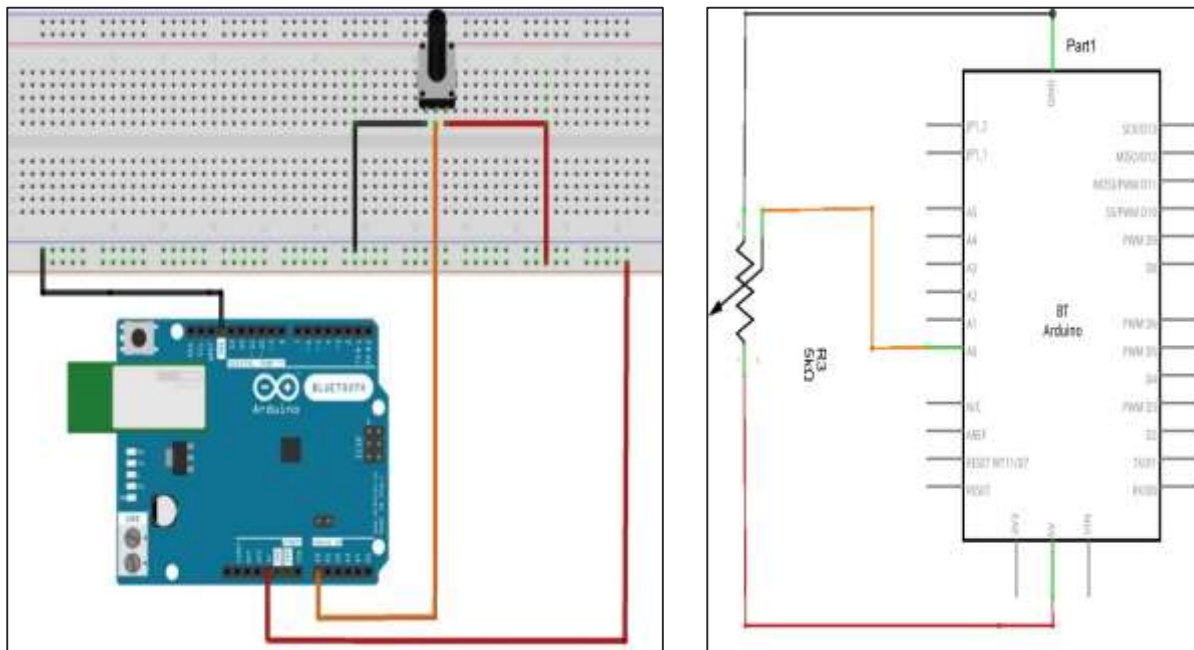
Components Required

You will need the following components:

- 1x Breadboard
- 1x Arduino Uno R3
- 1x 5K variable resistor (potentiometer)
- 2x Jumper

Procedure

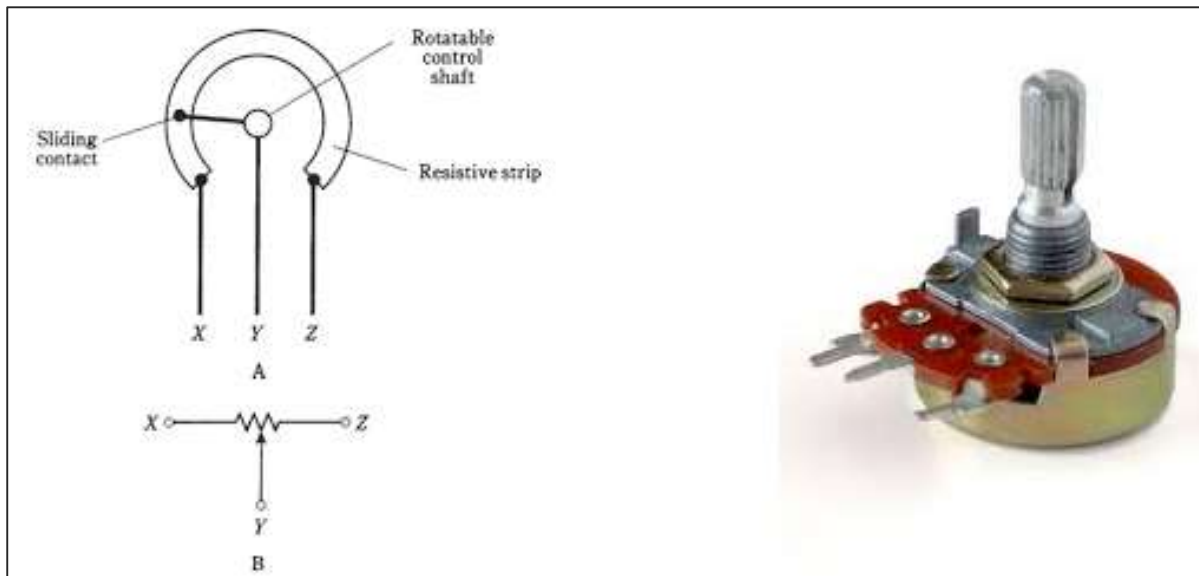
Follow the circuit diagram and hook up the components on the breadboard as shown in the image given below.



Potentiometer

A potentiometer (or pot) is a simple electro-mechanical transducer. It converts rotary or linear motion from the input operator into a change of resistance. This change is (or can be) used to control anything from the volume of a hi-fi system to the direction of a huge container ship.

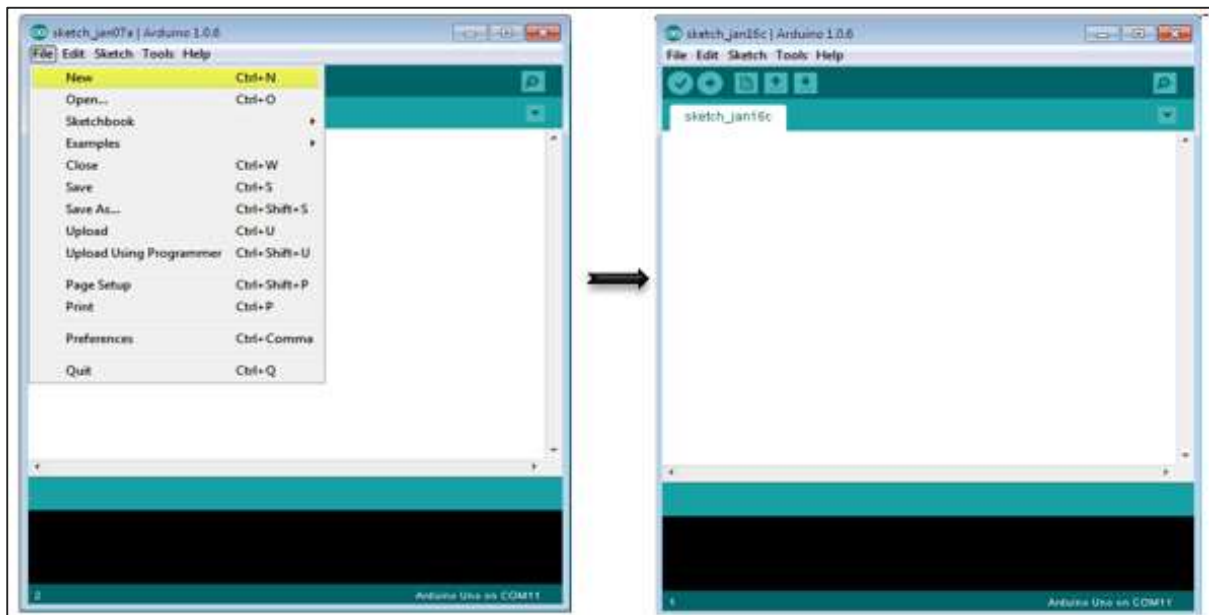
The pot as we know it was originally known as a rheostat (essentially a variable wirewound resistor). The variety of available pots is now quite astonishing, and it can be very difficult for the beginner (in particular) to work out which type is suitable for a given task. A few different pot types, which can all be used for the same task makes the job harder.



The image on the left shows the standard schematic symbol of a pot. The image on the right is the potentiometer.

Sketch

Open the Arduino IDE software on your computer. Coding in the Arduino language will control your circuit. Open a new sketch File by clicking New.



Arduino Code

```

/*
  ReadAnalogVoltage

  Reads an analog input on pin 0, converts it to voltage, and prints the result
  to the serial monitor.

  Graphical representation is available using serial plotter (Tools > Serial
  Plotter menu)

  Attach the center pin of a potentiometer to pin A0, and the outside pins to
  +5V and ground.
*/

// the setup routine runs once when you press reset:
void setup()
{
  // initialize serial communication at 9600 bits per second:
  Serial.begin(9600);
}

// the loop routine runs over and over again forever:
void loop()
{
  // read the input on analog pin 0:
  int sensorValue = analogRead(A0);
  // Convert the analog reading (which goes from 0 - 1023) to a voltage (0 - 5V):
  float voltage = sensorValue * (5.0 / 1023.0);
  // print out the value you read:
  Serial.println(voltage);
}

```

Code to Note

In the program or sketch given below, the first thing that you do in the setup function is begin serial communications, at 9600 bits per second, between your board and your computer with the line:

```
Serial.begin(9600);
```

In the main loop of your code, you need to establish a variable to store the resistance value (which will be between 0 and 1023, perfect for an int datatype) coming from your potentiometer:

```
int sensorValue = analogRead(A0);
```

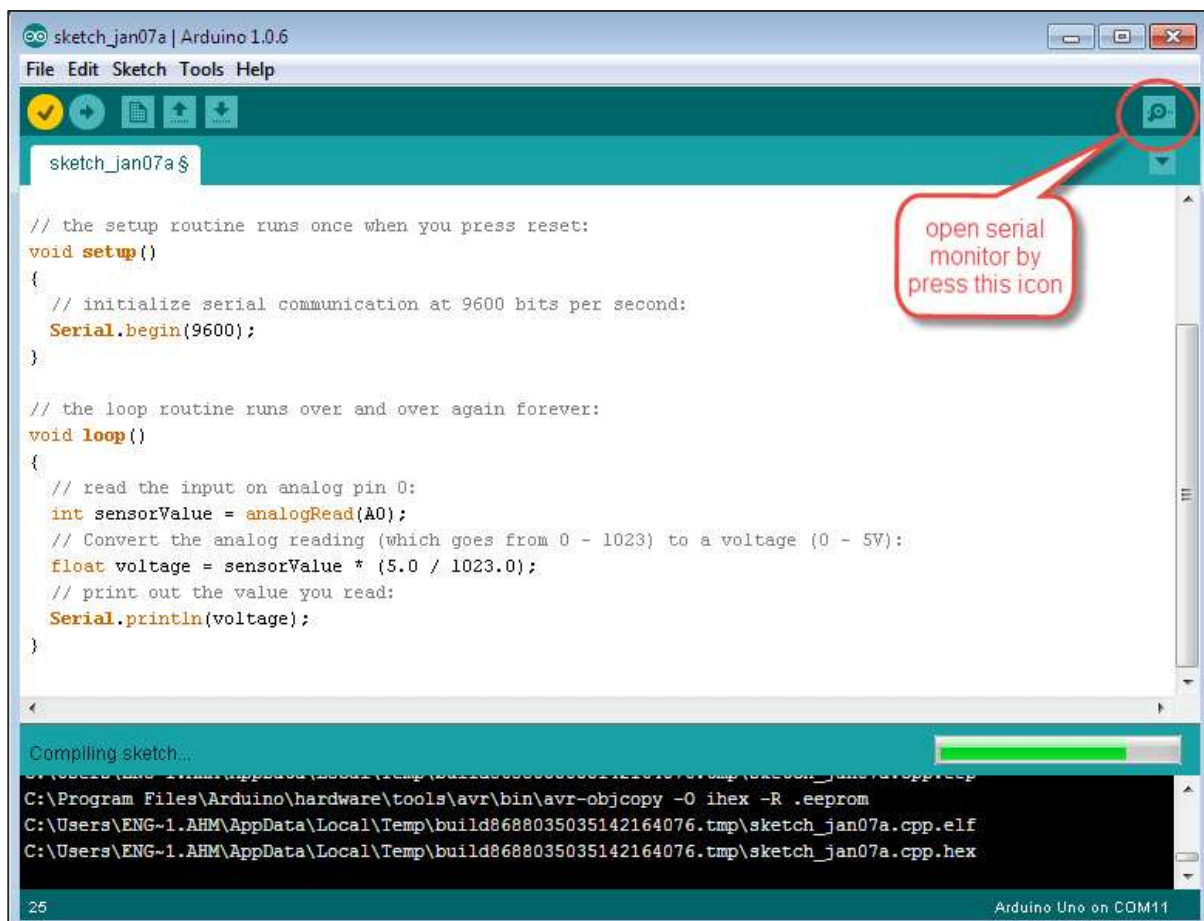
To change the values from 0-1023 to a range that corresponds to the voltage, the pin is reading, you need to create another variable, a float, and do a little calculation. To scale the numbers between 0.0 and 5.0, divide 5.0 by 1023.0 and multiply that by sensorValue:

```
float voltage= sensorValue * (5.0 / 1023.0);
```

Finally, you need to print this information to your serial window. You can do this with the command `Serial.println()` in your last line of code:

```
Serial.println(voltage)
```

Now, open Serial Monitor in the Arduino IDE by clicking the icon on the right side of the top green bar or pressing `Ctrl+Shift+M`.



Result

You will see a steady stream of numbers ranging from 0.0 - 5.0. As you turn the pot, the values will change, corresponding to the voltage at pin A0.

30. Arduino – LED Bar Graph

This example shows you how to read an analog input at analog pin 0, convert the values from `analogRead()` into voltage, and print it out to the serial monitor of the Arduino Software (IDE).

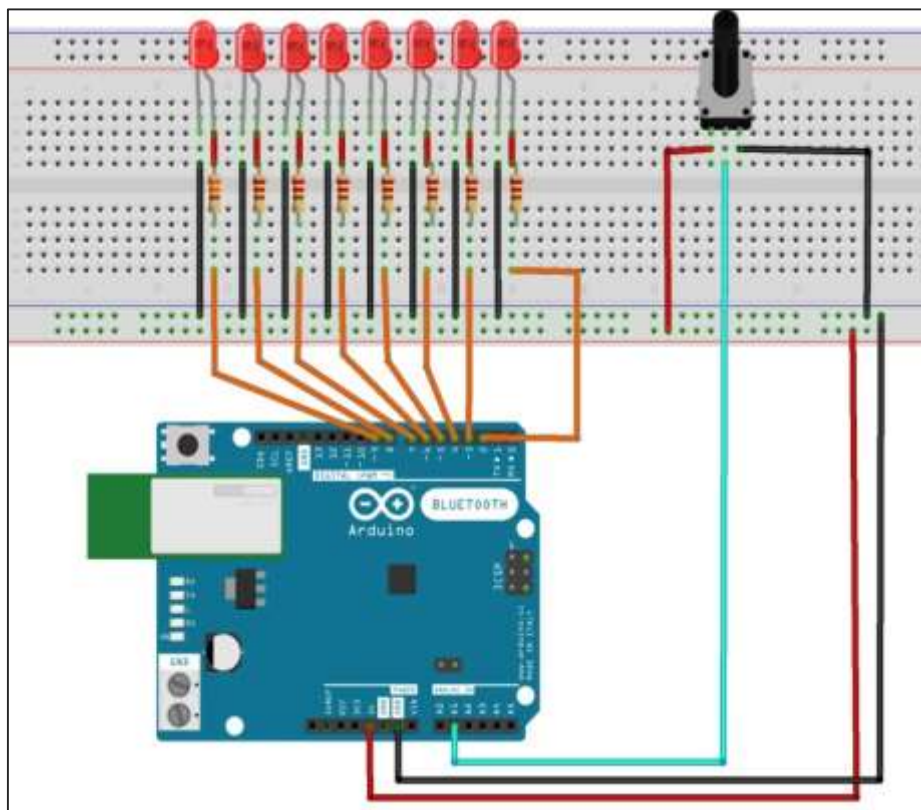
Components Required

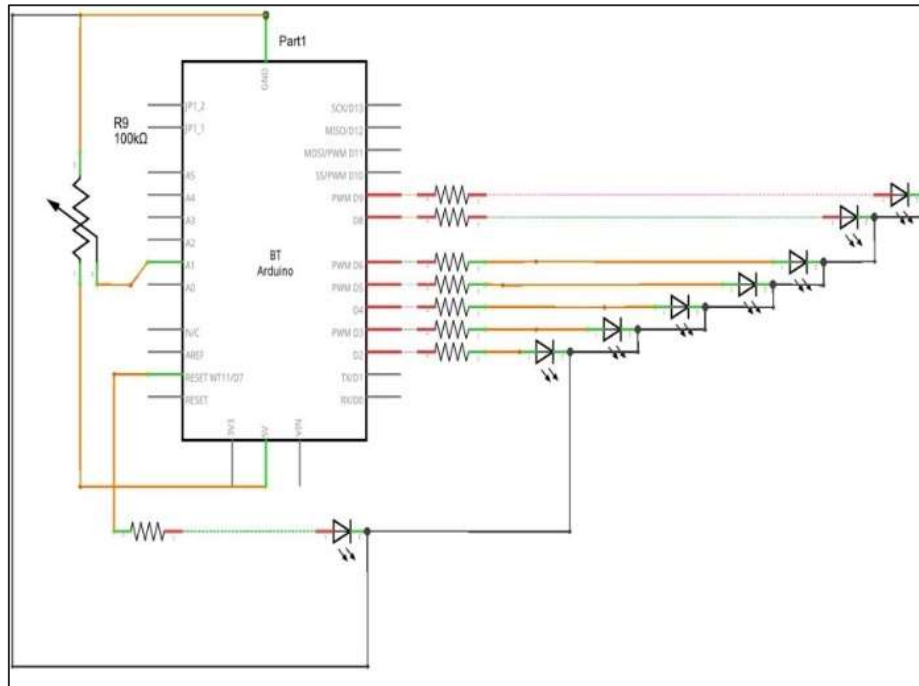
You will need the following components:

- 1x Breadboard
- 1x Arduino Uno R3
- 1x 5k ohm variable resistor (potentiometer)
- 2x Jumper
- 8x LED or you can use (LED bar graph display as shown in the image below)

Procedure

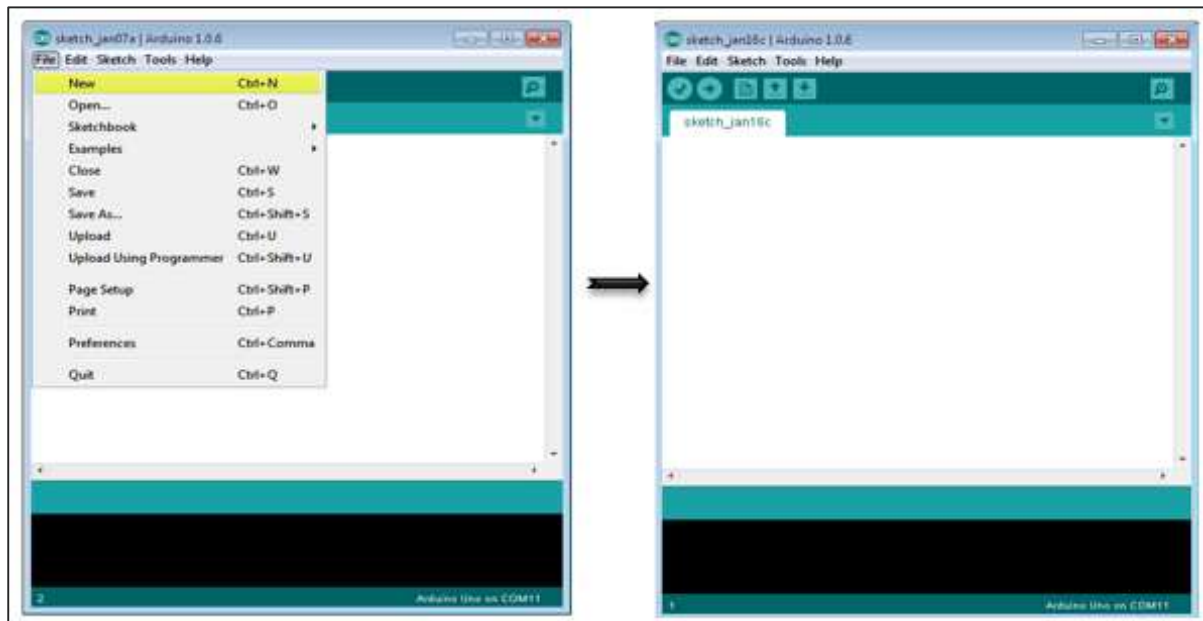
Follow the circuit diagram and hook up the components on the breadboard as shown in the image given below.



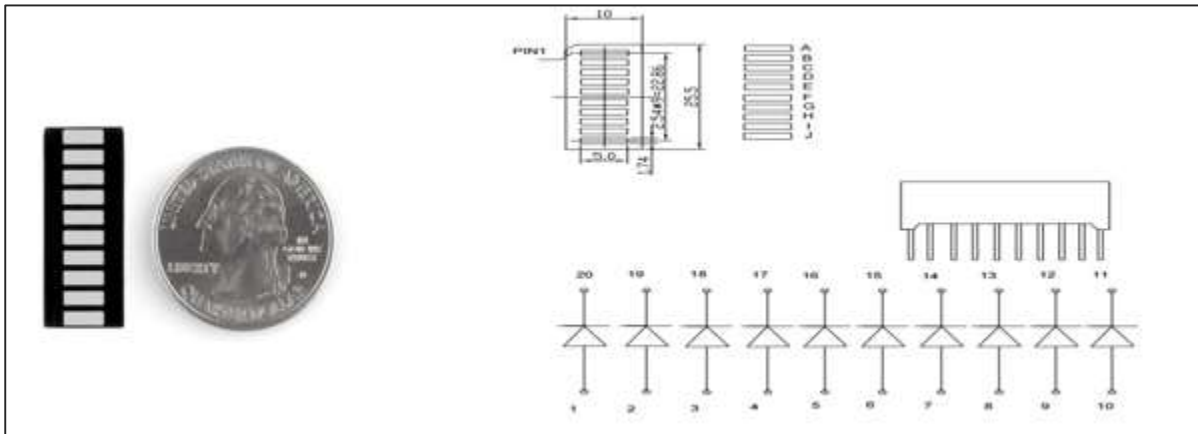


Sketch

Open the Arduino IDE software on your computer. Coding in the Arduino language will control your circuit. Open a new sketch File by clicking New.



10 Segment LED Bar Graph



These 10-segment bar graph LEDs have many uses. With a compact footprint, simple hookup, they are easy for prototype or finished products. Essentially, they are 10 individual blue LEDs housed together, each with an individual anode and cathode connection.

They are also available in yellow, red, and green colors.

Note: The pin out on these bar graphs may vary from what is listed on the datasheet. Rotating the device 180 degrees will correct the change, making pin 11 the first pin in line.

Arduino Code

```

/*
  LED bar graph

  Turns on a series of LEDs based on the value of an analog sensor. This is a
  simple way to make a bar graph display. Though this graph uses 8LEDs, you can
  use any number by changing the LED count and the pins in the array.

  This method can be used to control any series of digital outputs that depends on
  an analog input.

  */
// these constants won't change:
const int analogPin = A0; // the pin that the potentiometer is attached to
const int ledCount = 8; // the number of LEDs in the bar graph

int ledPins[] = {2, 3, 4, 5, 6, 7, 8, 9}; // an array of pin numbers to which
LEDs are attached
void setup()
{
  // loop over the pin array and set them all to output:

```

```

for (int thisLed = 0; thisLed < ledCount; thisLed++)
{
    pinMode(ledPins[thisLed], OUTPUT);
}
}
void loop()
{
    // read the potentiometer:
    int sensorReading = analogRead(analogPin);
    // map the result to a range from 0 to the number of LEDs:
    int ledLevel = map(sensorReading, 0, 1023, 0, ledCount);
    // loop over the LED array:
    for (int thisLed = 0; thisLed < ledCount; thisLed++)
    {
        // if the array element's index is less than ledLevel,
        // turn the pin for this element on:
        if (thisLed < ledLevel)
        {
            digitalWrite(ledPins[thisLed], HIGH);
        }
        // turn off all pins higher than the ledLevel:
        else
        {
            digitalWrite(ledPins[thisLed], LOW);
        }
    }
}
}

```

Code to Note

The sketch works like this: first, you read the input. You map the input value to the output range, in this case ten LEDs. Then you set up a **for-loop** to iterate over the outputs. If the output's number in the series is lower than the mapped input range, you turn it on. If not, you turn it off.

Result

You will see the LED turn ON one by one when the value of analog reading increases and turn OFF one by one while the reading is decreasing.

31. Arduino – Keyboard Logout

This example uses the Keyboard library to log you out of your user session on your computer when pin 2 on the ARDUINO UNO is pulled to ground. The sketch simulates the keypress in sequence of two or three keys at the same time and after a short delay, it releases them.

Warning: When you use the **Keyboard.print()** command, Arduino takes over your computer's keyboard. To ensure you do not lose control of your computer while running a sketch with this function, set up a reliable control system before you call Keyboard.print(). This sketch is designed to only send a Keyboard command after a pin has been pulled to ground.

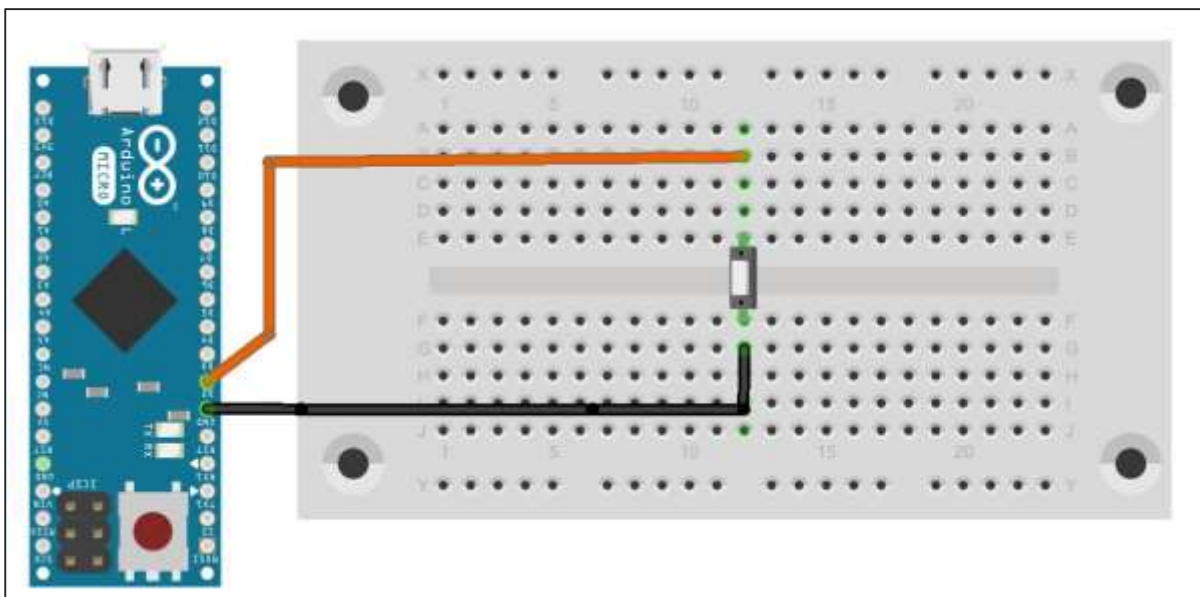
Components Required

You will need the following components:

- 1x Breadboard
- 1x Arduino Leonardo, Micro, or Due board
- 1x pushbutton
- 1x Jumper

Procedure

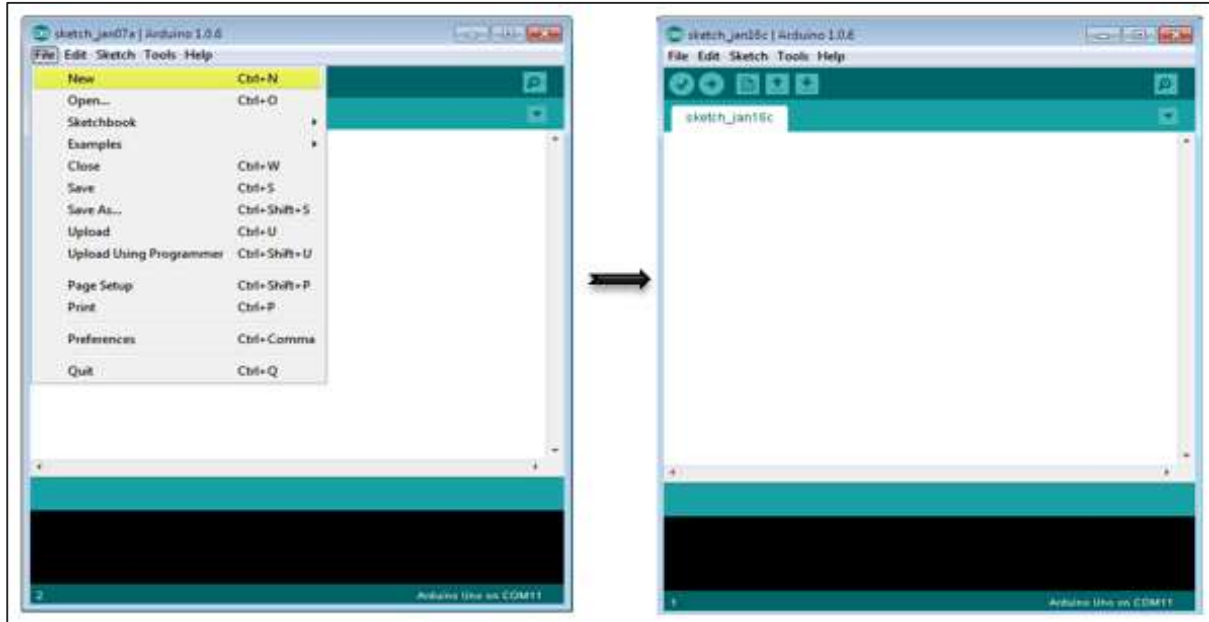
Follow the circuit diagram and hook up the components on the breadboard as shown in the image below.



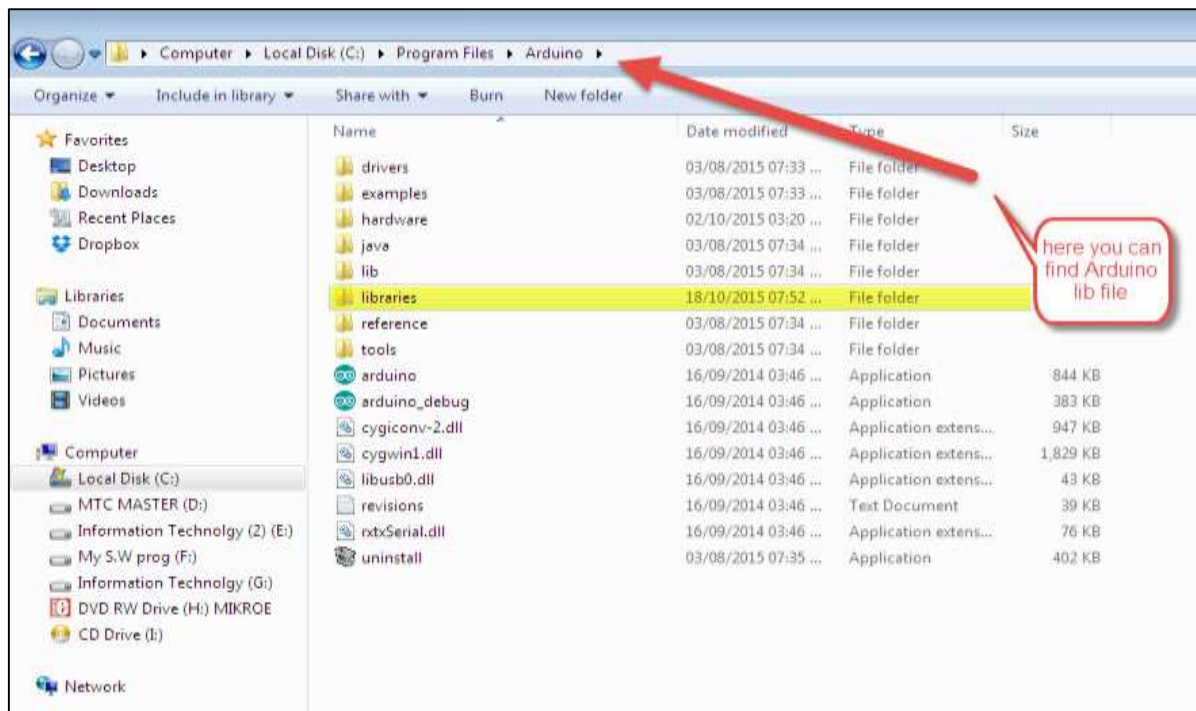
Sketch

Open the Arduino IDE software on your computer. Coding in the Arduino language will control your circuit. Open a new sketch File by clicking New.

For this example, you need to use Arduino IDE 1.6.7



Note: You must include the keyboard library in your Arduino library file. Copy and paste the keypad library file inside the file with the name libraries (highlighted) as shown in the following screenshot.



Arduino Code

```
/*
  Keyboard logout
  This sketch demonstrates the Keyboard library.
  When you connect pin 2 to ground, it performs a logout.
  It uses keyboard combinations to do this, as follows:
  On Windows, CTRL-ALT-DEL followed by ALT-1
  On Ubuntu, CTRL-ALT-DEL, and ENTER
  On OSX, CMD-SHIFT-q
  To wake: Spacebar.
  Circuit:
  * Arduino Leonardo or Micro
  * wire to connect D2 to ground.
*/

#define OSX 0
#define WINDOWS 1
#define UBUNTU 2
#include "Keyboard.h"
// change this to match your platform:
int platform = WINDOWS;
void setup()
{
  // make pin 2 an input and turn on the
  // pullup resistor so it goes high unless
  // connected to ground:
  pinMode(2, INPUT_PULLUP);
  Keyboard.begin();
}
void loop()
{
  while (digitalRead(2) == HIGH) {
    // do nothing until pin 2 goes low
    delay(500);
  }
  delay(1000);
}
```

```
switch (platform) {
  case OSX:
    Keyboard.press(KEY_LEFT_GUI);
    // Shift-Q logs out:
    Keyboard.press(KEY_LEFT_SHIFT);
    Keyboard.press('Q');
    delay(100);

// enter:
    Keyboard.write(KEY_RETURN);
    break;
  case WINDOWS:
    // CTRL-ALT-DEL:
    Keyboard.press(KEY_LEFT_CTRL);
    Keyboard.press(KEY_LEFT_ALT);
    Keyboard.press(KEY_DELETE);
    delay(100);
    Keyboard.releaseAll();
    //ALT-l:
    delay(2000);
    Keyboard.press(KEY_LEFT_ALT);
    Keyboard.press('l');
    Keyboard.releaseAll();
    break;
  case UBUNTU:
    // CTRL-ALT-DEL:
    Keyboard.press(KEY_LEFT_CTRL);
    Keyboard.press(KEY_LEFT_ALT);
    Keyboard.press(KEY_DELETE);
    delay(1000);
    Keyboard.releaseAll();
    // Enter to confirm logout:
    Keyboard.write(KEY_RETURN);
    break;
}
// do nothing:
```

```
while (true);
}

Keyboard.releaseAll();
// enter:
Keyboard.write(KEY_RETURN);
break;

case WINDOWS:
// CTRL-ALT-DEL:
Keyboard.press(KEY_LEFT_CTRL);
Keyboard.press(KEY_LEFT_ALT);
Keyboard.press(KEY_DELETE);
delay(100);
Keyboard.releaseAll();
//ALT-l:
delay(2000);
Keyboard.press(KEY_LEFT_ALT);
Keyboard.press('l');
Keyboard.releaseAll();
break;

case UBUNTU:
// CTRL-ALT-DEL:
Keyboard.press(KEY_LEFT_CTRL);
Keyboard.press(KEY_LEFT_ALT);
Keyboard.press(KEY_DELETE);
delay(1000);
Keyboard.releaseAll();
// Enter to confirm logout:
Keyboard.write(KEY_RETURN);
break;
}
// do nothing:
while (true);
}
```

Code to Note

Before you upload the program to your board, make sure you assign the correct OS you are currently using to the platform variable.

While the sketch is running, pressing the button will connect pin 2 to the ground and the board will send the logout sequence to the USB connected PC.

Result

When you connect pin 2 to the ground, it performs a logout operation.

It uses the following keyboard combinations to logout -

- On **Windows**, CTRL-ALT-DEL followed by ALT-I
- On **Ubuntu**, CTRL-ALT-DEL, and ENTER
- On **OSX**, CMD-SHIFT-q

32. Arduino – Keyboard Message

In this example, when the button is pressed, a text string is sent to the computer as keyboard input. The string reports the number of times the button is pressed. Once you have the Leonardo programmed and wired up, open your favorite text editor to see the results.

Warning: When you use the **Keyboard.print()** command, the Arduino takes over your computer's keyboard. To ensure you do not lose control of your computer while running a sketch with this function, set up a reliable control system before you call **Keyboard.print()**. This sketch includes a pushbutton to toggle the keyboard, so that it only runs after the button is pressed.

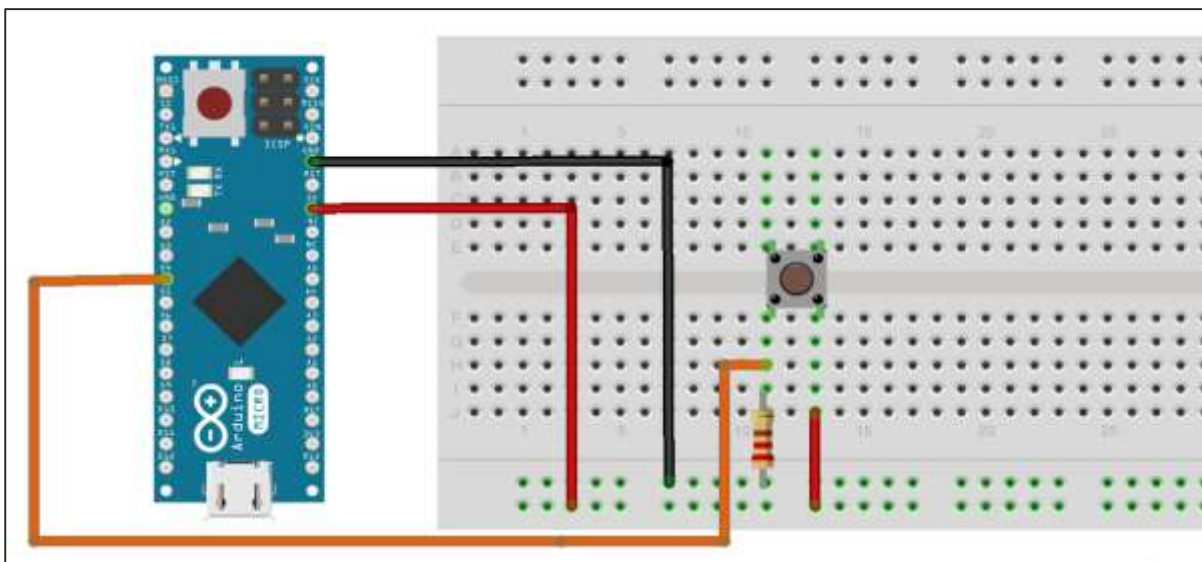
Components Required

You will need the following components:

- 1x Breadboard
- 1x Arduino Leonardo, Micro, or Due board
- 1x momentary pushbutton
- 1x 10k ohm resistor

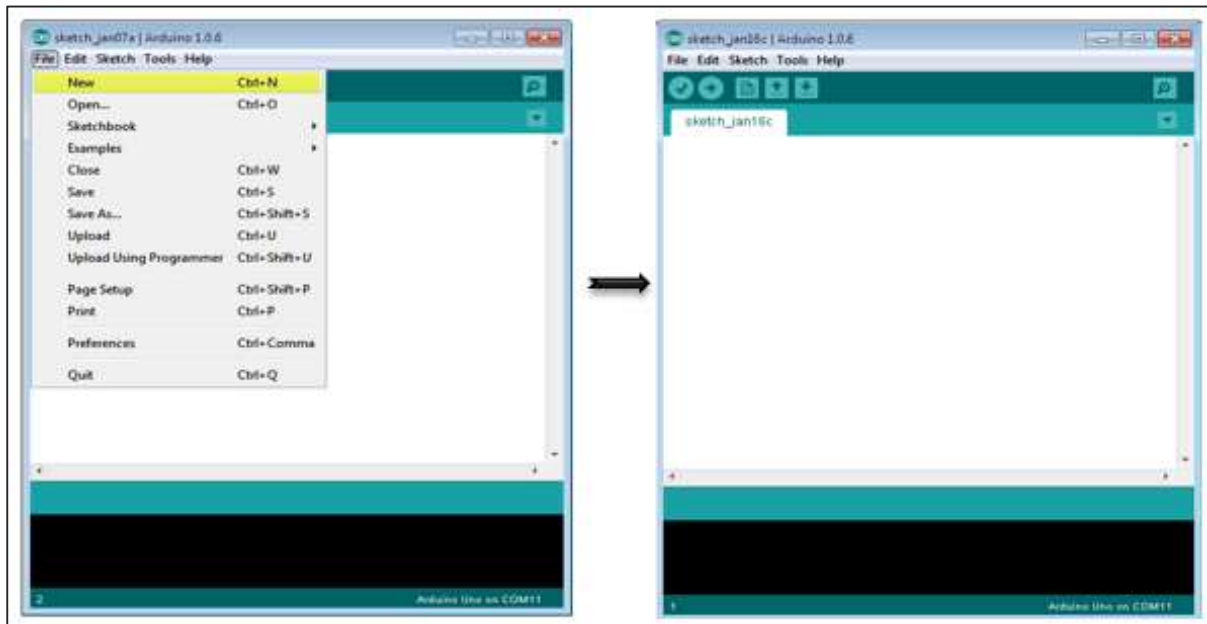
Procedure

Follow the circuit diagram and hook up the components on the breadboard as shown in the image given below.



Sketch

Open the Arduino IDE software on your computer. Coding in the Arduino language will control your circuit. Open a new sketch File by clicking New.



Arduino Code

```

/*
  Keyboard Message test For the Arduino Leonardo and Micro, Sends a text string
  when a button is pressed.

  The circuit:
  * pushbutton attached from pin 4 to +5V
  * 10-kilohm resistor attached from pin 4 to ground
*/
#include "Keyboard.h"
const int buttonPin = 4;          // input pin for pushbutton
int previousButtonState = HIGH;  // for checking the state of a pushButton
int counter = 0;                 // button push counter
void setup() {
  pinMode(buttonPin, INPUT); // make the pushButton pin an input:
  Keyboard.begin(); // initialize control over the keyboard:
}
void loop() {
  int buttonState = digitalRead(buttonPin); // read the pushbutton:
  if ((buttonState != previousButtonState)&& (buttonState == HIGH)) // and it's
  currently pressed:

```

```
{
  // increment the button counter
  counter++;
  // type out a message
  Keyboard.print("You pressed the button ");
  Keyboard.print(counter);
  Keyboard.println(" times.");
}
// save the current button state for comparison next time:
previousButtonState = buttonState;
}
```

Code to Note

Attach one terminal of the pushbutton to pin 4 on Arduino. Attach the other pin to 5V. Use the resistor as a pull-down, providing a reference to the ground, by attaching it from pin 4 to the ground.

Once you have programmed your board, unplug the USB cable, open a text editor and put the text cursor in the typing area. Connect the board to your computer through USB again and press the button to write in the document.

Result

By using any text editor, it will display the text sent via Arduino.

33. Arduino – Mouse Button Control

Using the Mouse library, you can control a computer's onscreen cursor with an Arduino Leonardo, Micro, or Due.

This particular example uses five pushbuttons to move the onscreen cursor. Four of the buttons are directional (up, down, left, right) and one is for a left mouse click. Cursor movement from Arduino is always relative. Every time an input is read, the cursor's position is updated relative to its current position.

Whenever one of the directional buttons is pressed, Arduino will move the mouse, mapping a HIGH input to a range of 5 in the appropriate direction.

The fifth button is for controlling a left-click from the mouse. When the button is released, the computer will recognize the event.

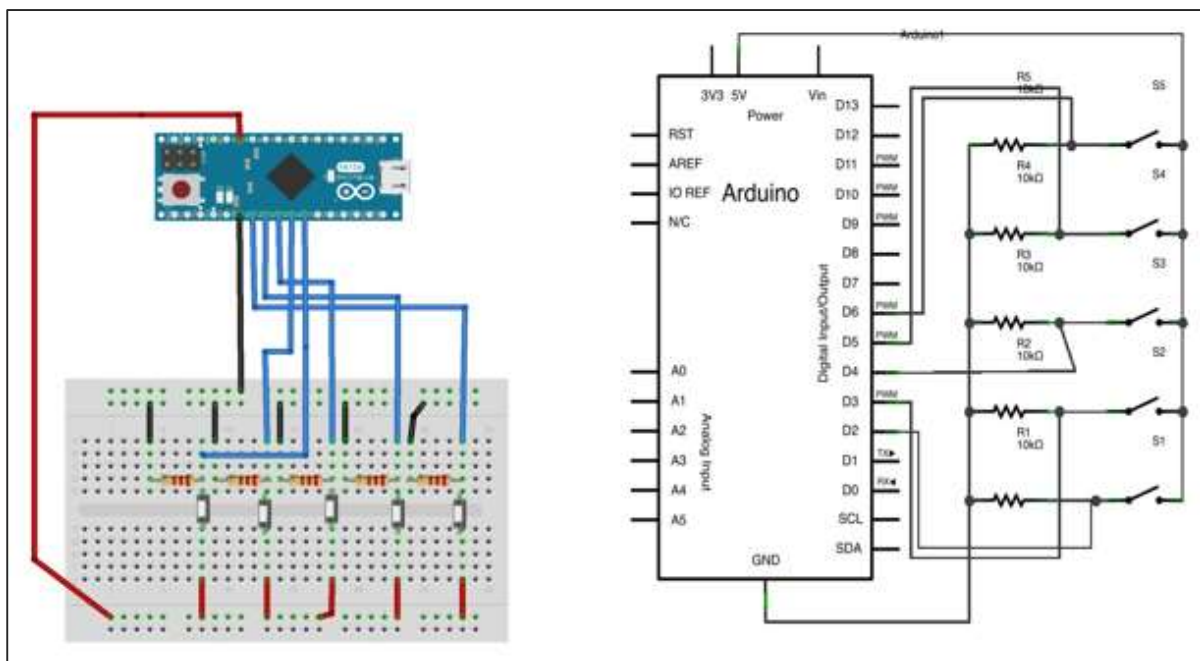
Components Required

You will need the following components:

- 1x Breadboard
- 1x Arduino Leonardo, Micro or Due board
- 5x 10k ohm resistor
- 5x momentary pushbuttons

Procedure

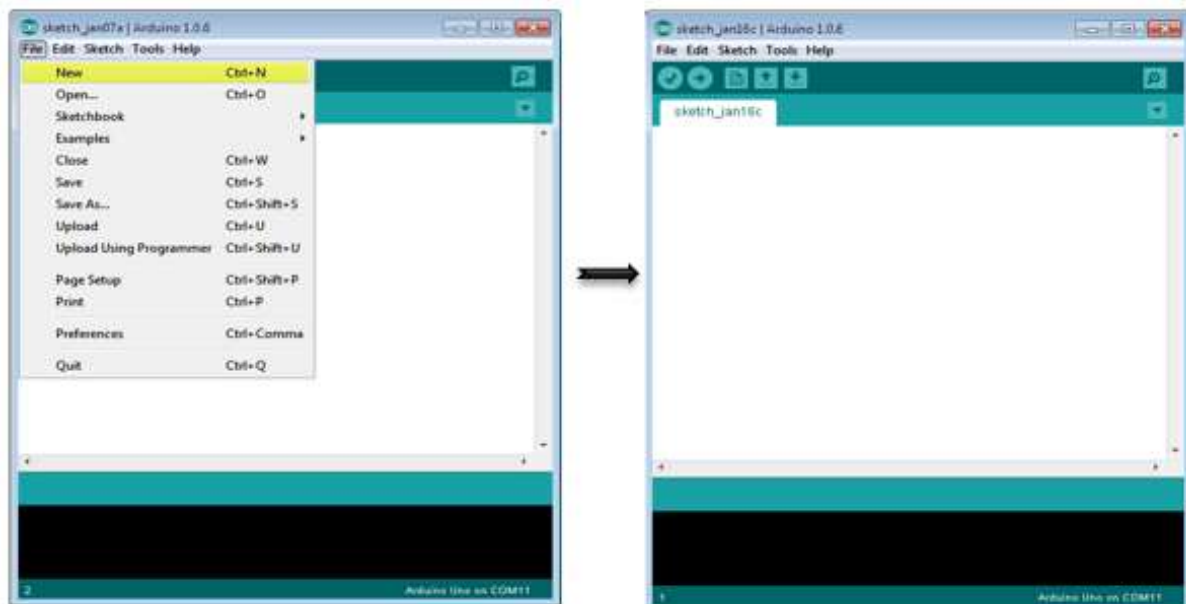
Follow the circuit diagram and hook up the components on the breadboard as shown in the image below.



Sketch

Open the Arduino IDE software on your computer. Coding in the Arduino language will control your circuit. Open a new sketch File by clicking New.

For this example, you need to use Arduino IDE 1.6.7



Arduino Code

```

/*
Button Mouse Control
For Leonardo and Due boards only .Controls the mouse from five pushbuttons on an
Arduino Leonardo, Micro or Due.

Hardware:
* 5 pushbuttons attached to D2, D3, D4, D5, D6
The mouse movement is always relative. This sketch reads
four pushbuttons, and uses them to set the movement of the mouse.
WARNING: When you use the Mouse.move() command, the Arduino takes
over your mouse! Make sure you have control before you use the mouse commands.
*/

#include "Mouse.h"
// set pin numbers for the five buttons:
const int upButton = 2;
const int downButton = 3;

```

```
const int leftButton = 4;
const int rightButton = 5;
const int mouseButton = 6;
int range = 5;           // output range of X or Y movement; affects movement speed
int responseDelay = 10; // response delay of the mouse, in ms
void setup()
{
  // initialize the buttons' inputs:
  pinMode(upButton, INPUT);
  pinMode(downButton, INPUT);
  pinMode(leftButton, INPUT);
  pinMode(rightButton, INPUT);
  pinMode(mouseButton, INPUT);
  // initialize mouse control:
  Mouse.begin();
}
void loop()
{
  // read the buttons:
  int upState = digitalRead(upButton);
  int downState = digitalRead(downButton);
  int rightState = digitalRead(rightButton);
  int leftState = digitalRead(leftButton);
  int clickState = digitalRead(mouseButton);

  // calculate the movement distance based on the button states:
  int xDistance = (leftState - rightState) * range;
  int yDistance = (upState - downState) * range;

  // if X or Y is non-zero, move:
  if ((xDistance != 0) || (yDistance != 0)) {
    Mouse.move(xDistance, yDistance, 0);
  }

  // if the mouse button is pressed:
  if (clickState == HIGH) {
```

```
// if the mouse is not pressed, press it:
if (!Mouse.isPressed(MOUSE_LEFT)) {
    Mouse.press(MOUSE_LEFT);
}
}
// else the mouse button is not pressed:
else {
    // if the mouse is pressed, release it:
    if (Mouse.isPressed(MOUSE_LEFT)) {
        Mouse.release(MOUSE_LEFT);
    }
}
// a delay so the mouse does not move too fast:
delay(responseDelay);
}
```

Code to Note

Connect your board to your computer with a micro-USB cable. The buttons are connected to digital inputs from pins 2 to 6. Make sure you use 10k pull-down resistors.

34. Arduino – Keyboard Serial

This example listens for a byte coming from the serial port. When received, the board sends a keystroke back to the computer. The sent keystroke is one higher than what is received, so if you send an "a" from the serial monitor, you will receive a "b" from the board connected to the computer. A "1" will return a "2" and so on.

Warning: When you use the **Keyboard.print()** command, the Leonardo, Micro or Due board takes over your computer's keyboard. To ensure you do not lose control of your computer while running a sketch with this function, set up a reliable control system before you call `Keyboard.print()`. This sketch is designed to only send a Keyboard command after the board has received a byte over the serial port.

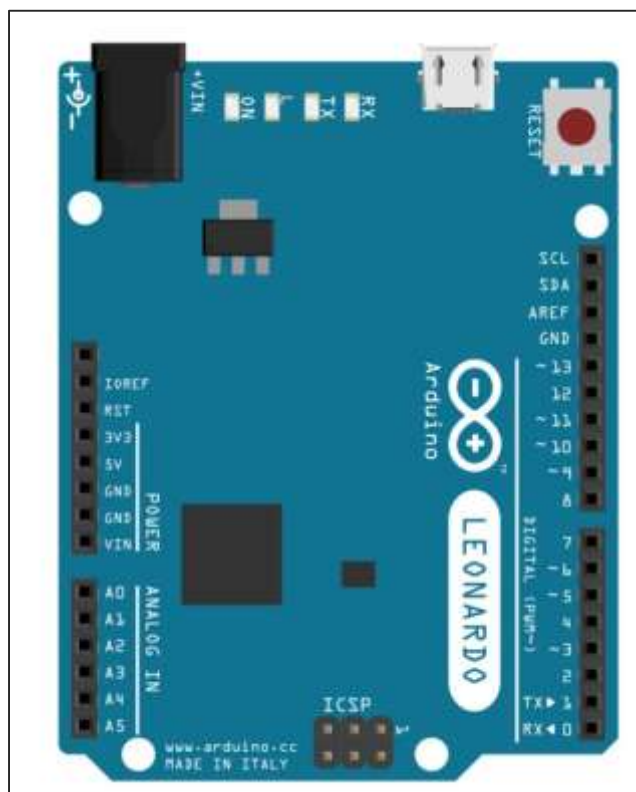
Components Required

You will need the following components:

- 1x Arduino Leonardo, Micro, or Due board

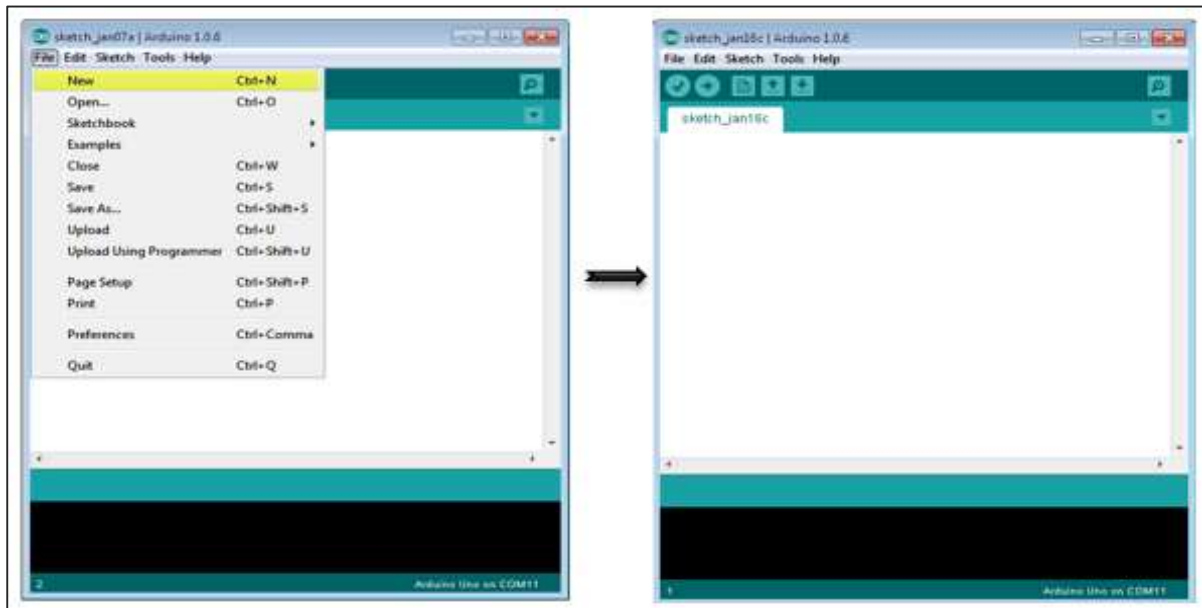
Procedure

Just connect your board to the computer using USB cable.

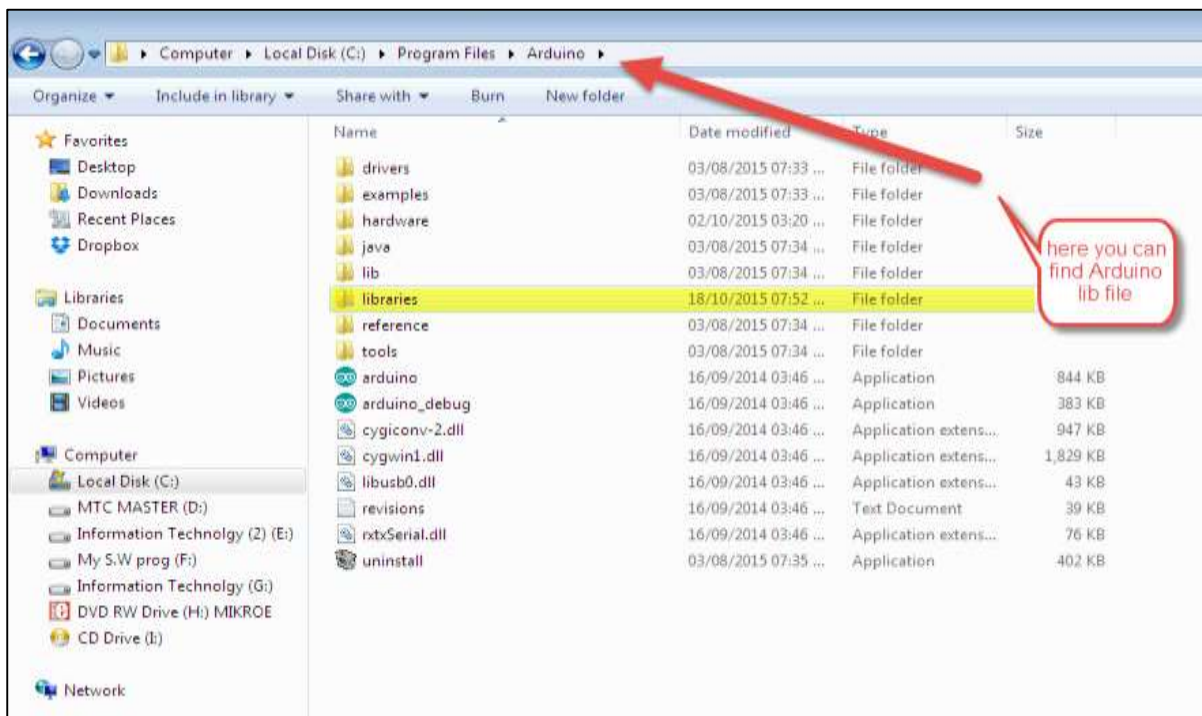


Sketch

Open the Arduino IDE software on your computer. Coding in the Arduino language will control your circuit. Open a new sketch File by clicking New.



Notes: You must include the keypad library in your Arduino library file. Copy and paste the keypad library file inside the file with the name 'libraries' highlighted with yellow color.



Arduino Code

```
/*
  Keyboard test
  For the Arduino Leonardo, Micro or Due Reads a byte from the serial port, sends
  a keystroke back. The sent keystroke is one higher than what's received, e.g. if
  you send a, you get b, send
  A you get B, and so forth.
  The circuit:
  * none
  */
#include "Keyboard.h"
void setup() {
  // open the serial port:
  Serial.begin(9600);
  // initialize control over the keyboard:
  Keyboard.begin();
}
void loop() {
  // check for incoming serial data:
  if (Serial.available() > 0) {
    // read incoming serial data:
    char inChar = Serial.read();
    // Type the next ASCII value from what you received:
    Keyboard.write(inChar + 1);
  }
}
```

Code to Note

Once programmed, open your serial monitor and send a byte. The board will reply with a keystroke, that is one number higher.

Result

The board will reply with a keystroke that is one number higher on Arduino IDE serial monitor when you send a byte.

Arduino – Sensors

35. Arduino – Humidity Sensor

In this section, we will learn how to interface our Arduino board with different sensors. We will discuss the following sensors -

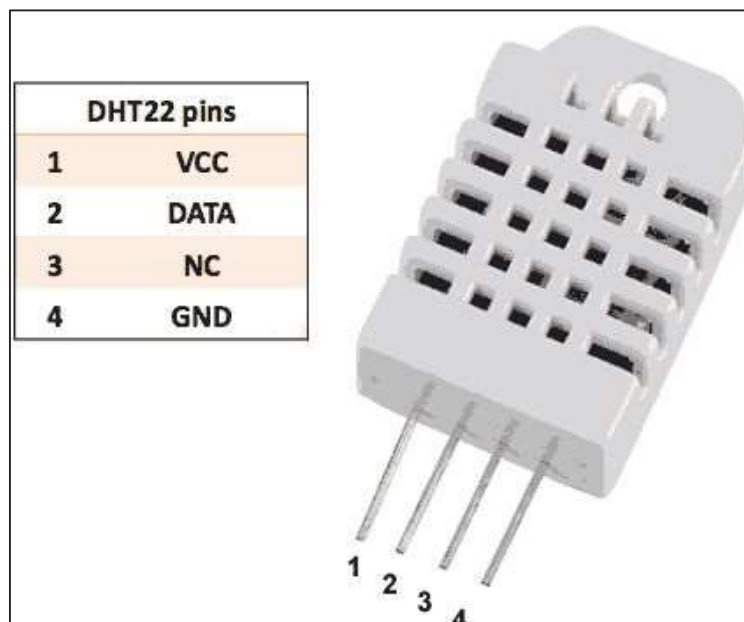
- Humidity sensor (DHT22)
- Temperature sensor (LM35)
- Water detector sensor (Simple Water Trigger)
- PIR SENSOR
- ULTRASONIC SENSOR
- GPS

Humidity Sensor (DHT22)

The DHT-22 (also named as AM2302) is a digital-output, relative humidity, and temperature sensor. It uses a capacitive humidity sensor and a thermistor to measure the surrounding air, and sends a digital signal on the data pin.

In this example, you will learn how to use this sensor with Arduino UNO. The room temperature and humidity will be printed to the serial monitor.

The DHT-22 Sensor



The connections are simple. The first pin on the left to 3-5V power, the second pin to the data input pin and the right-most pin to the ground.

Technical Details

- **Power:** 3-5V
- **Max Current:** 2.5mA
- **Humidity:** 0-100%, 2-5% accuracy
- **Temperature:** -40 to 80°C, $\pm 0.5^\circ\text{C}$ accuracy

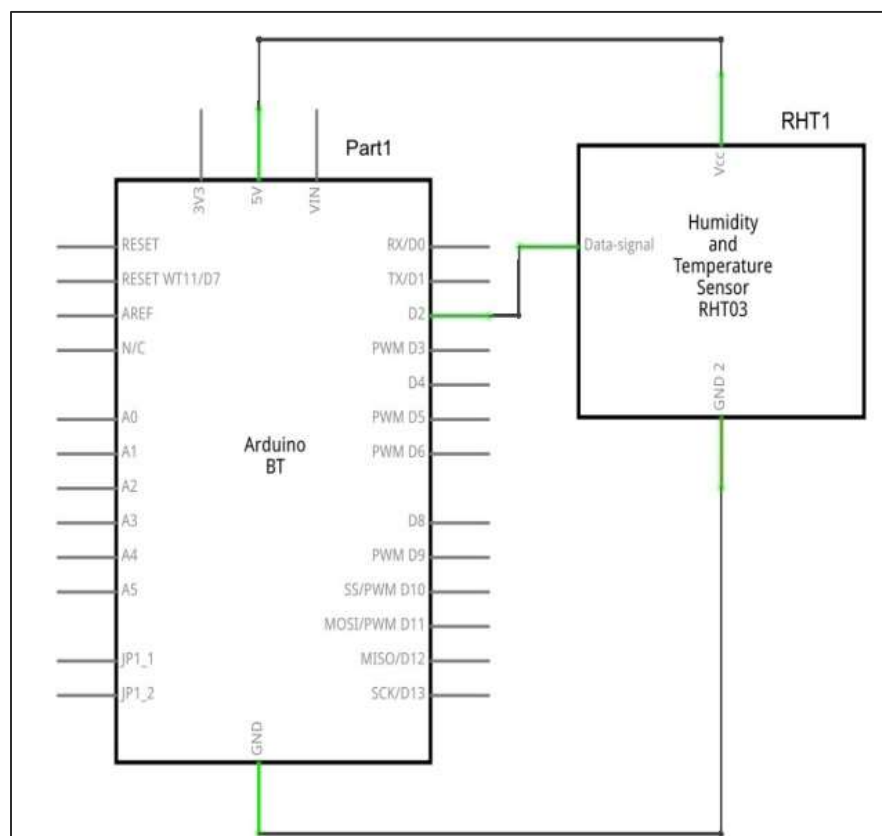
Components Required

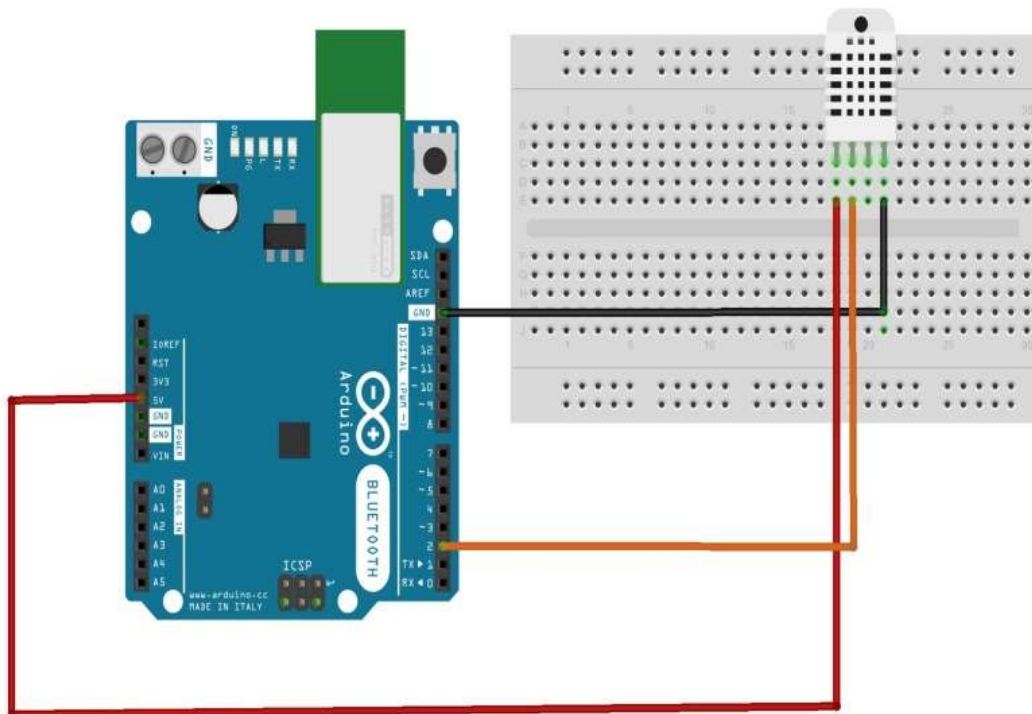
You will need the following components:

- 1x Breadboard
- 1x Arduino Uno R3
- 1x DHT22
- 1X10K ohm resistor

Procedure

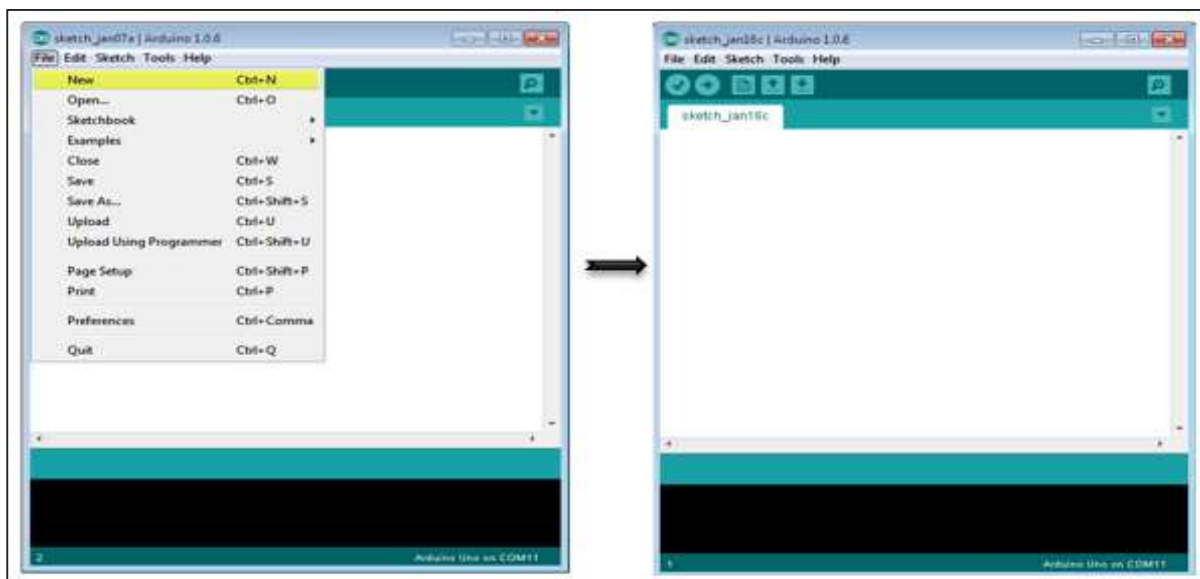
Follow the circuit diagram and hook up the components on the breadboard as shown in the image below.





Sketch

Open the Arduino IDE software on your computer. Coding in the Arduino language will control your circuit. Open a new sketch File by clicking New.



Arduino Code

```
// Example testing sketch for various DHT humidity/temperature sensors
#include "DHT.h"
#define DHTPIN 2 // what digital pin we're connected to
// Uncomment whatever type you're using!
```

```

// #define DHTTYPE DHT11 // DHT 11
#define DHTTYPE DHT22 // DHT 22 (AM2302), AM2321
// #define DHTTYPE DHT21 // DHT 21 (AM2301)
// Connect pin 1 (on the left) of the sensor to +5V
// NOTE: If using a board with 3.3V logic like an Arduino Due connect pin 1
// to 3.3V instead of 5V!
// Connect pin 2 of the sensor to whatever your DHTPIN is
// Connect pin 4 (on the right) of the sensor to GROUND
// Connect a 10K resistor from pin 2 (data) to pin 1 (power) of the sensor
// Initialize DHT sensor.
// Note that older versions of this library took an optional third parameter to
// tweak the timings for faster processors. This parameter is no longer needed
// as the current DHT reading algorithm adjusts itself to work on faster procs.
DHT dht(DHTPIN, DHTTYPE);
void setup() {
  Serial.begin(9600);
  Serial.println("DHTxx test!");

  dht.begin();
}
void loop() {
  delay(2000); // Wait a few seconds between measurements
  float h = dht.readHumidity();
  // Reading temperature or humidity takes about 250 milliseconds!

  float t = dht.readTemperature();
  // Read temperature as Celsius (the default)

  float f = dht.readTemperature(true);
  // Read temperature as Fahrenheit (isFahrenheit = true)
  // Check if any reads failed and exit early (to try again).
  if (isnan(h) || isnan(t) || isnan(f))

  {
    Serial.println("Failed to read from DHT sensor!");
    return;
  }
}

```

```
}

// Compute heat index in Fahrenheit (the default)
float hif = dht.computeHeatIndex(f, h);

// Compute heat index in Celsius (isFahreheit = false)
float hic = dht.computeHeatIndex(t, h, false);

Serial.print ("Humidity: ");
Serial.print (h);
Serial.print (" %\t");
Serial.print ("Temperature: ");
Serial.print (t);
Serial.print (" *C ");
Serial.print (f);
Serial.print (" *F\t");
Serial.print ("Heat index: ");
Serial.print (hic);
Serial.print (" *C ");
Serial.print (hif);
Serial.println (" *F");
}
```

Code to Note

DHT22 sensor has four terminals (Vcc, DATA, NC, GND), which are connected to the board as follows:

- DATA pin to Arduino pin number 2
- Vcc pin to 5 volt of Arduino board
- GND pin to the ground of Arduino board
- We need to connect 10k ohm resistor (pull up resistor) between the DATA and the Vcc pin

Once hardware connections are done, you need to add DHT22 library to your Arduino library file as described earlier.

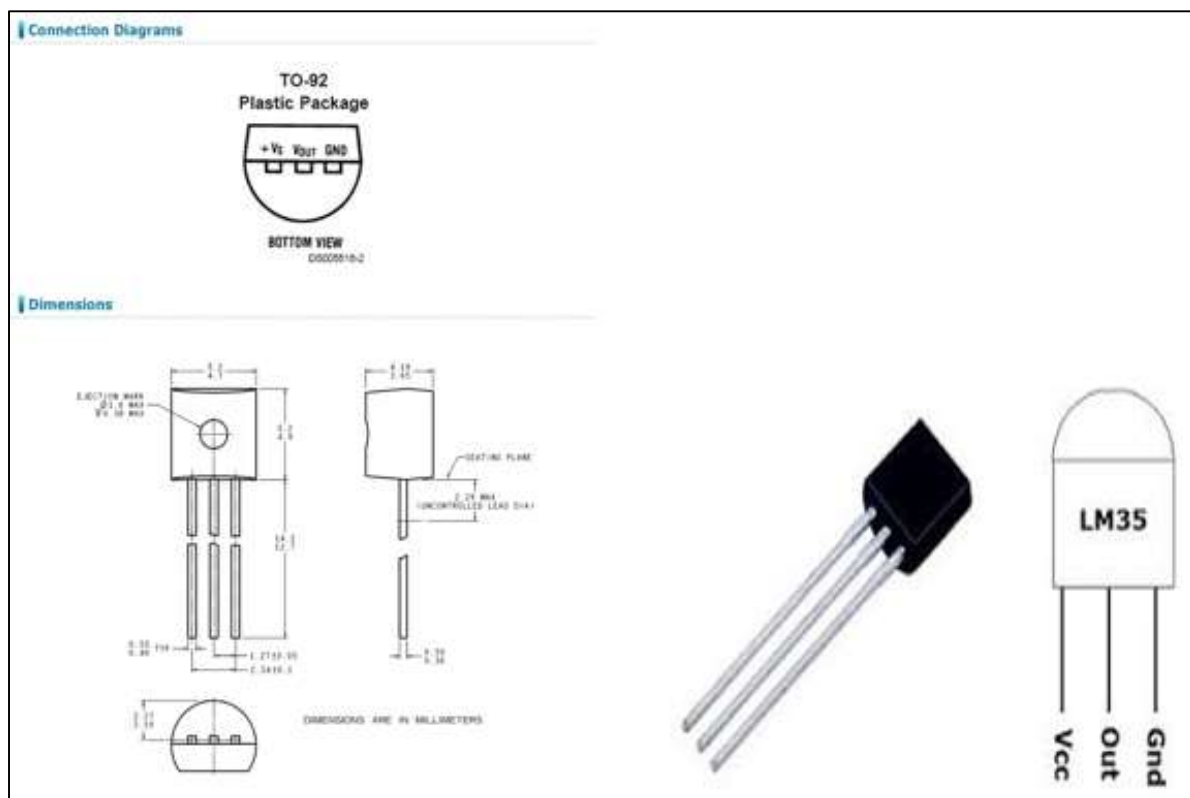
Result

You will see the temperature and humidity display on serial port monitor which is updated every 2 seconds.

36. Arduino – Temperature Sensor

The Temperature Sensor LM35 series are precision integrated-circuit temperature devices with an output voltage linearly proportional to the Centigrade temperature.

The LM35 device has an advantage over linear temperature sensors calibrated in Kelvin, as the user is not required to subtract a large constant voltage from the output to obtain convenient Centigrade scaling. The LM35 device does not require any external calibration or trimming to provide typical accuracies of $\pm 1/4^{\circ}\text{C}$ at room temperature and $\pm 3/4^{\circ}\text{C}$ over a full -55°C to 150°C temperature range.



Technical Specifications

- Calibrated directly in Celsius (Centigrade)
- Linear + 10-mV/ $^{\circ}\text{C}$ scale factor
- 0.5 $^{\circ}\text{C}$ ensured accuracy (at 25 $^{\circ}\text{C}$)
- Rated for full -55°C to 150°C range
- Suitable for remote applications

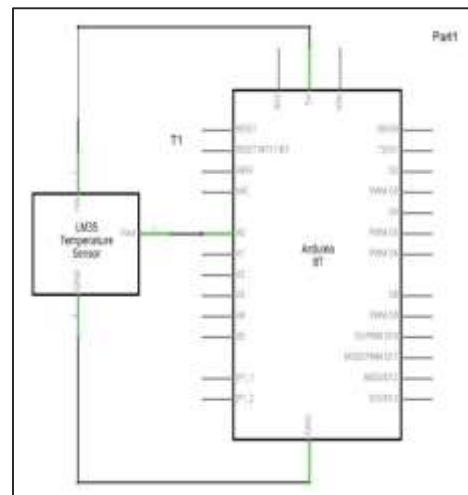
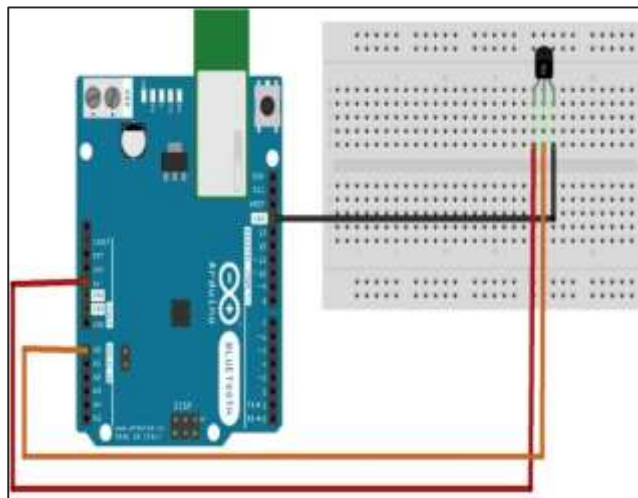
Components Required

You will need the following components:

- 1x Breadboard
- 1x Arduino Uno R3
- 1x LM35 sensor

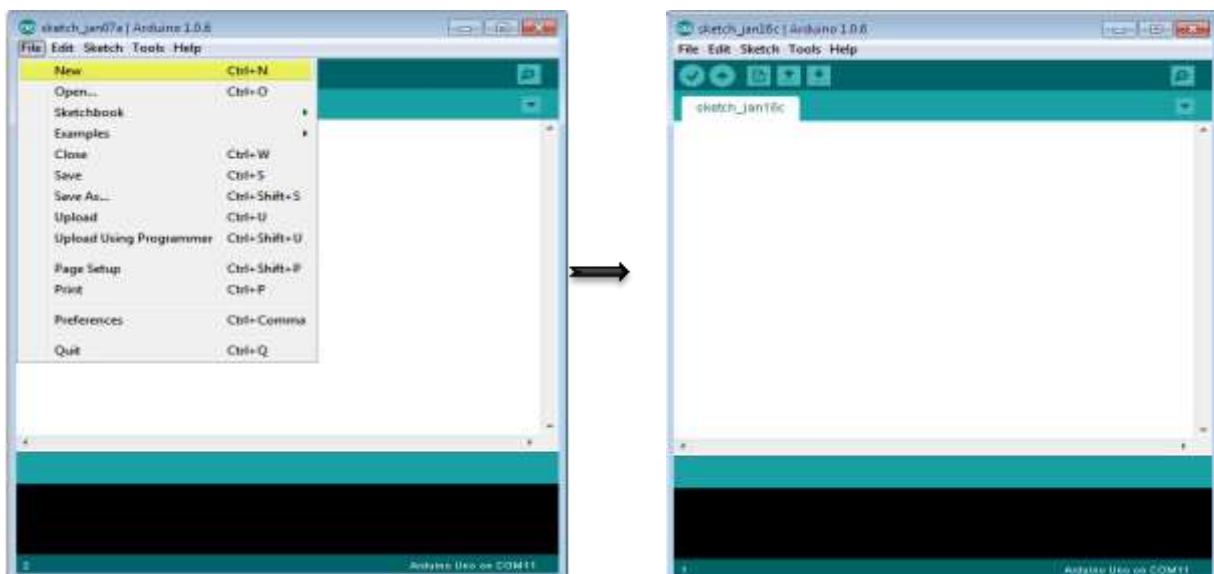
Procedure

Follow the circuit diagram and hook up the components on the breadboard as shown in the image given below.



Sketch

Open the Arduino IDE software on your computer. Coding in the Arduino language will control your circuit. Open a new sketch File by clicking New.



Arduino Code

```
float temp;
int tempPin = 0;
void setup()
{
  Serial.begin(9600);
}
void loop()
{
  temp = analogRead(tempPin);
  // read analog volt from sensor and save to variable temp

  temp = temp * 0.48828125;
  // convert the analog volt to its temperature equivalent
  Serial.print("TEMPERATURE = ");
  Serial.print(temp); // display temperature value
  Serial.print("*C");
  Serial.println();
  delay(1000); // update sensor reading each one second
}
```

Code to Note

LM35 sensor has three terminals - Vs, Vout and GND. We will connect the sensor as follows:

- Connect the +Vs to +5v on your Arduino board.
- Connect Vout to Analog0 or A0 on Arduino board.
- Connect GND with GND on Arduino.

The Analog to Digital Converter (ADC) converts analog values into a digital approximation based on the formula $ADC \text{ Value} = \text{sample} * 1024 / \text{reference voltage (+5v)}$. So with a +5 volt reference, the digital approximation will be equal to input voltage * 205.

Result

You will see the temperature display on the serial port monitor which is updated every second.

37. Arduino – Water Detector / Sensor

Water sensor brick is designed for water detection, which can be widely used in sensing rainfall, water level, and even liquid leakage.



Connecting a water sensor to an Arduino is a great way to detect a leak, spill, flood, rain, etc. It can be used to detect the presence, the level, the volume and/or the absence of water. While this could be used to remind you to water your plants, there is a better Grove sensor for that. The sensor has an array of exposed traces, which read LOW when water is detected.

In this chapter, we will connect the water sensor to Digital Pin 8 on Arduino, and will enlist the very handy LED to help identify when the water sensor comes into contact with a source of water.

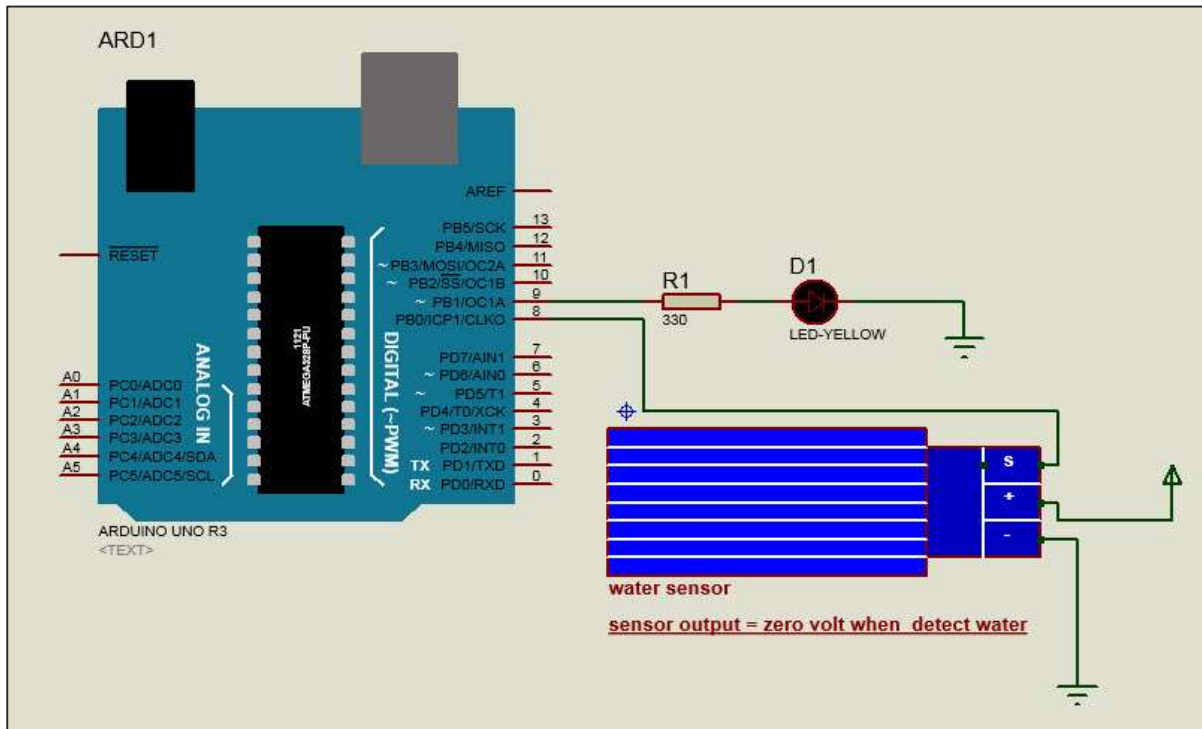
Components Required

You will need the following components:

- 1x Breadboard
- 1x Arduino Uno R3
- 1x Water Sensor
- 1x led
- 1x 330 ohm resistor

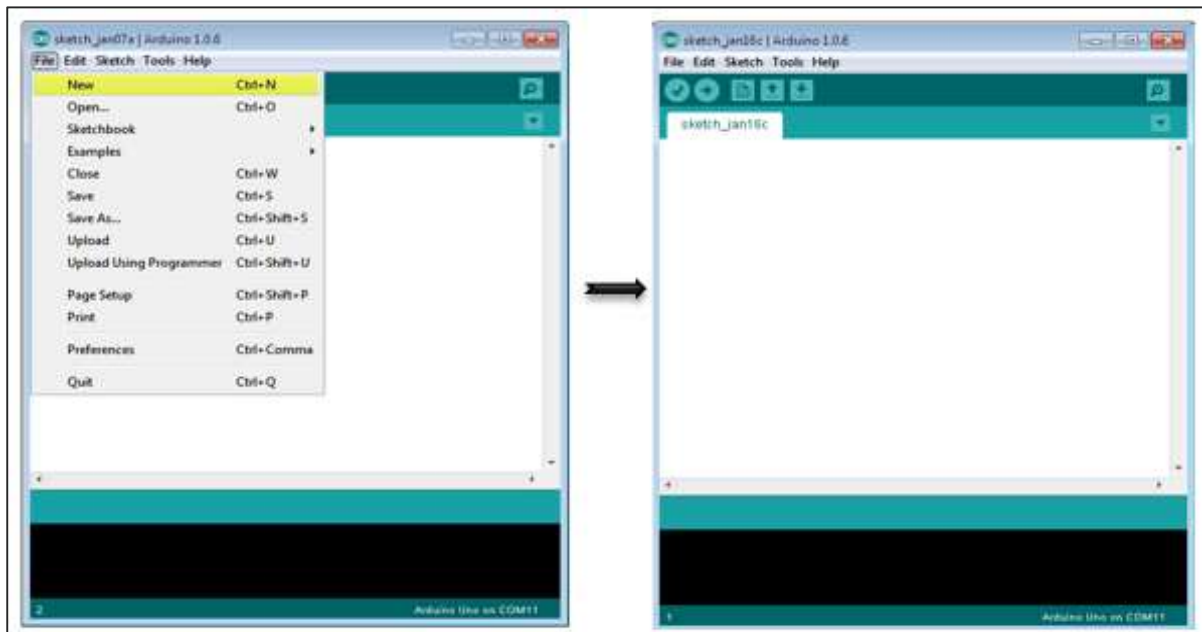
Procedure

Follow the circuit diagram and hook up the components on the breadboard as shown in the image given below.



Sketch

Open the Arduino IDE software on your computer. Coding in the Arduino language will control your circuit. Open a new sketch File by clicking on New.



Arduino Code

```

#define Grove_Water_Sensor 8 // Attach Water sensor to Arduino Digital Pin 8
#define LED 9 // Attach an LED to Digital Pin 9 (or use onboard LED)
void setup()
{
  pinMode(Grove_Water_Sensor, INPUT); // The Water Sensor is an Input
  pinMode(LED, OUTPUT); // The LED is an Output
}
void loop()
{
  /* The water sensor will switch LOW when water is detected.
   * Get the Arduino to illuminate the LED and activate the buzzer
   * when water is detected, and switch both off when no water is present
   */
  if( digitalRead(Grove_Water_Sensor) == LOW)
  {
    digitalWrite(LED,HIGH);
  }
  else
  {
    digitalWrite(LED,LOW);
  }
}

```

Code to Note

Water sensor has three terminals - S, Vout(+), and GND (-). Connect the sensor as follows:

- Connect the +Vs to +5v on your Arduino board.
- Connect S to digital pin number 8 on Arduino board.
- Connect GND with GND on Arduino.
- Connect LED to digital pin number 9 in Arduino board.

When the sensor detects water, pin 8 on Arduino becomes LOW and then the LED on Arduino is turned ON.

Result

You will see the indication LED turn ON when the sensor detects water.

38. Arduino – PIR Sensor

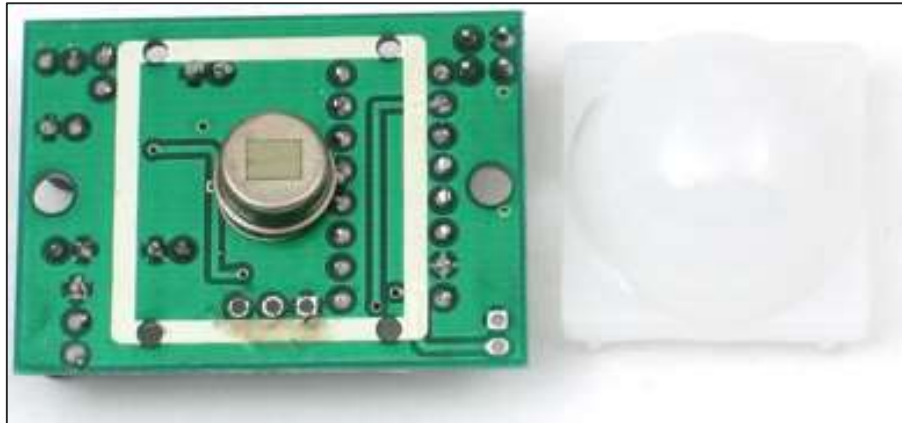
PIR sensors allow you to sense motion. They are used to detect whether a human has moved in or out of the sensor's range. They are commonly found in appliances and gadgets used at home or for businesses. They are often referred to as PIR, "Passive Infrared", "Pyroelectric", or "IR motion" sensors.

Following are the advantages of PIR Sensors -

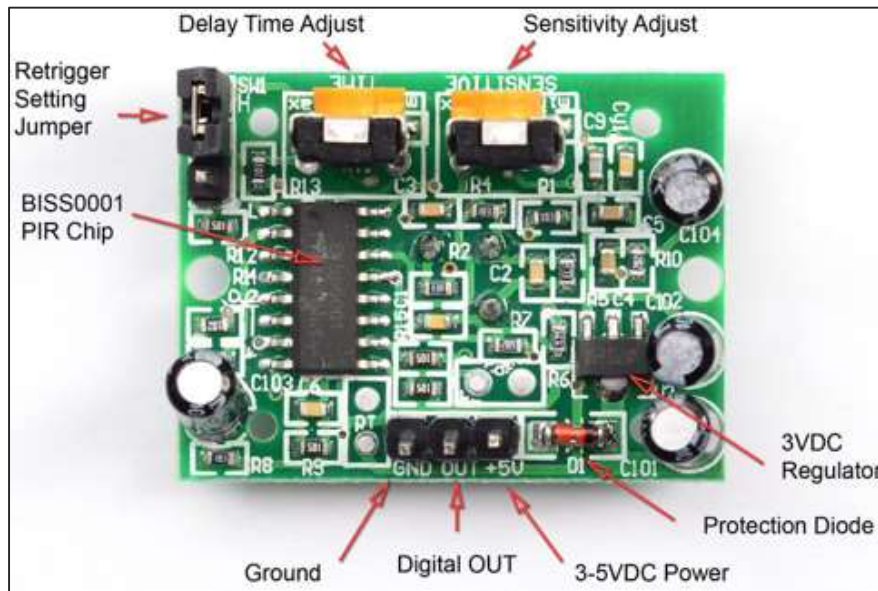
- Small in size
- Wide lens range
- Easy to interface
- Inexpensive
- Low-power
- Easy to use
- Do not wear out



PIRs are made of pyroelectric sensors, a round metal can with a rectangular crystal in the center, which can detect levels of infrared radiation. Everything emits low-level radiation, and the hotter something is, the more radiation is emitted. The sensor in a motion detector is split in two halves. This is to detect motion (change) and not average IR levels. The two halves are connected so that they cancel out each other. If one-half sees more or less IR radiation than the other, the output will swing high or low.



PIRs have adjustable settings and have a header installed in the 3-pin ground/out/power pads.



For many basic projects or products that need to detect when a person has left or entered the area, PIR sensors are great. Note that PIRs do not tell you the number of people around or their closeness to the sensor. The lens is often fixed to a certain sweep at a distance and they are sometimes set off by the pets in the house.

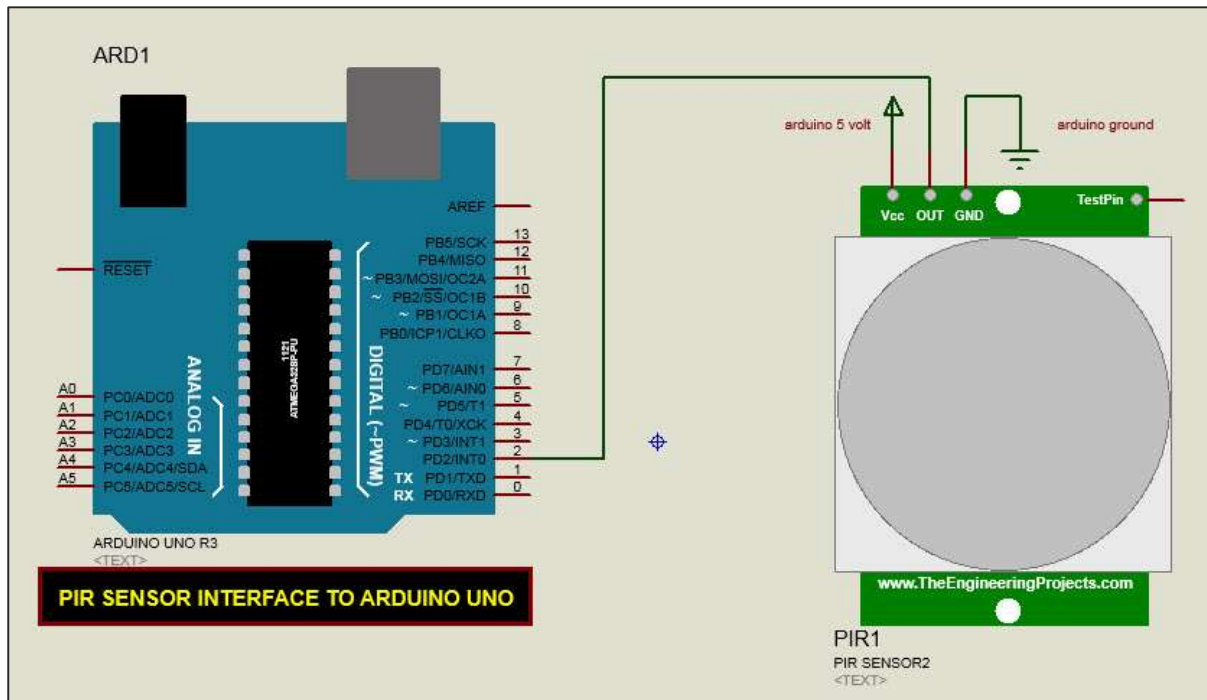
Components Required

You will need the following components:

- 1x Breadboard
- 1x Arduino Uno R3
- 1x PIR Sensor (MQ3)

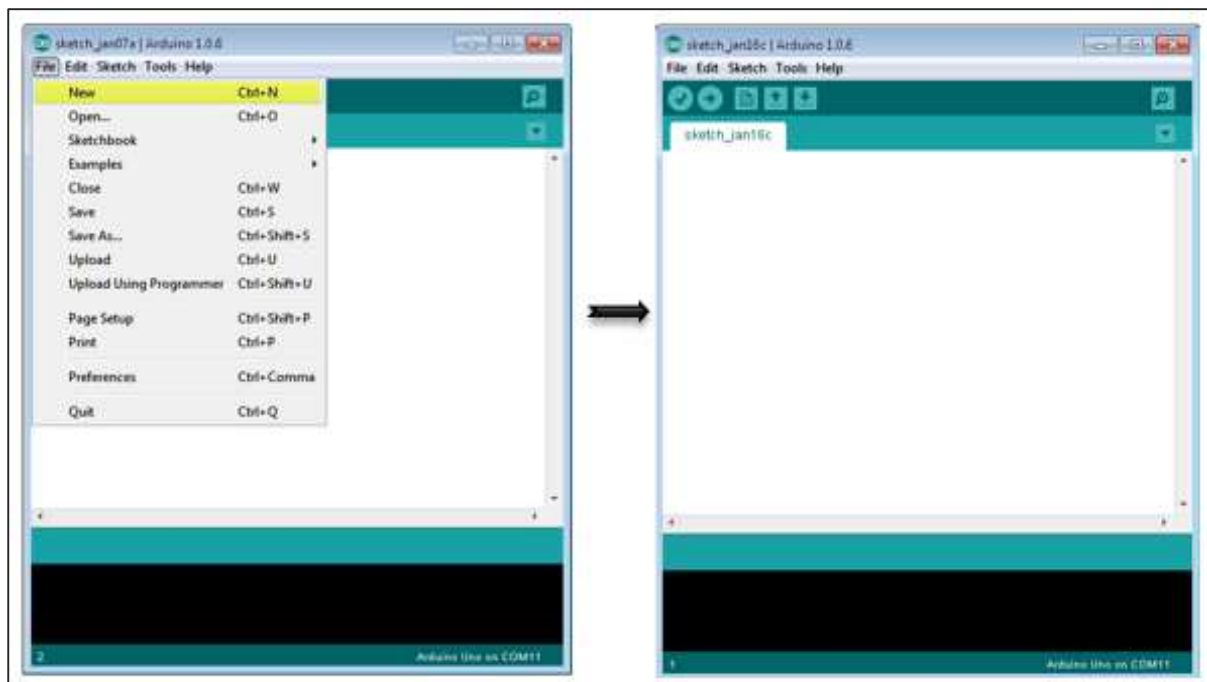
Procedure

Follow the circuit diagram and make the connections as shown in the image below.



Sketch

Open the Arduino IDE software on your computer. Coding in the Arduino language will control your circuit. Open a new sketch File by clicking New.



Arduino Code

```
#define pirPin 2
int calibrationTime = 30;
long unsigned int lowIn;
long unsigned int pause = 5000;
boolean lockLow = true;
boolean takeLowTime;
int PIRValue = 0;
void setup()
{
  Serial.begin(9600);
  pinMode(pirPin, INPUT);
}
void loop()
{
  PIRSensor();
}
void PIRSensor()
{
  if(digitalRead(pirPin) == HIGH)
  {
    if(lockLow)
    {
      PIRValue = 1;
      lockLow = false;
      Serial.println("Motion detected.");
      delay(50);
    }
    takeLowTime = true;
  }
  if(digitalRead(pirPin) == LOW)
```

```

    {
        if(takeLowTime){lowIn = millis();takeLowTime = false;}
        if(!lockLow && millis() - lowIn > pause)
        {
            PIRValue = 0;
            lockLow = true;
            Serial.println("Motion ended.");
            delay(50);
        }
    }
}

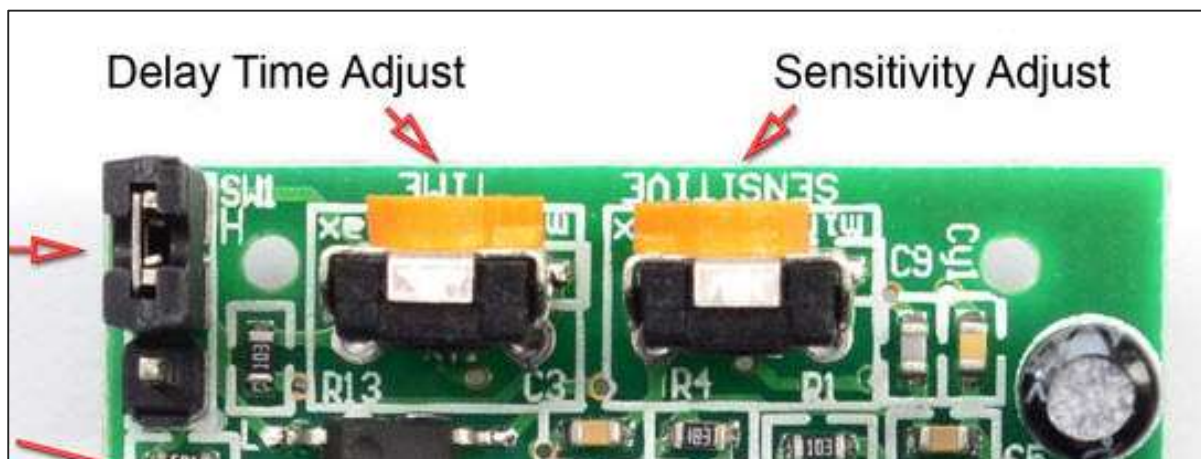
```

Code to Note

PIR sensor has three terminals - Vcc, OUT and GND. Connect the sensor as follows:

- Connect the +Vcc to +5v on Arduino board.
- Connect OUT to digital pin 2 on Arduino board.
- Connect GND with GND on Arduino.

You can adjust the sensor sensitivity and delay time via two variable resistors located at the bottom of the sensor board.



Once the sensor detects any motion, Arduino will send a message via the serial port to say that a motion is detected. The PIR sense motion will delay for certain time to check if there is a new motion. If there is no motion detected, Arduino will send a new message saying that the motion has ended.

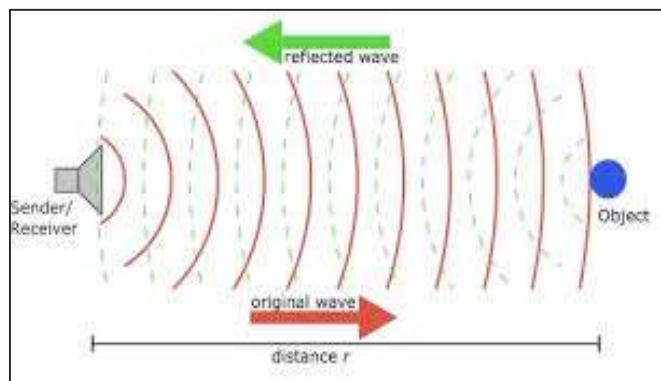
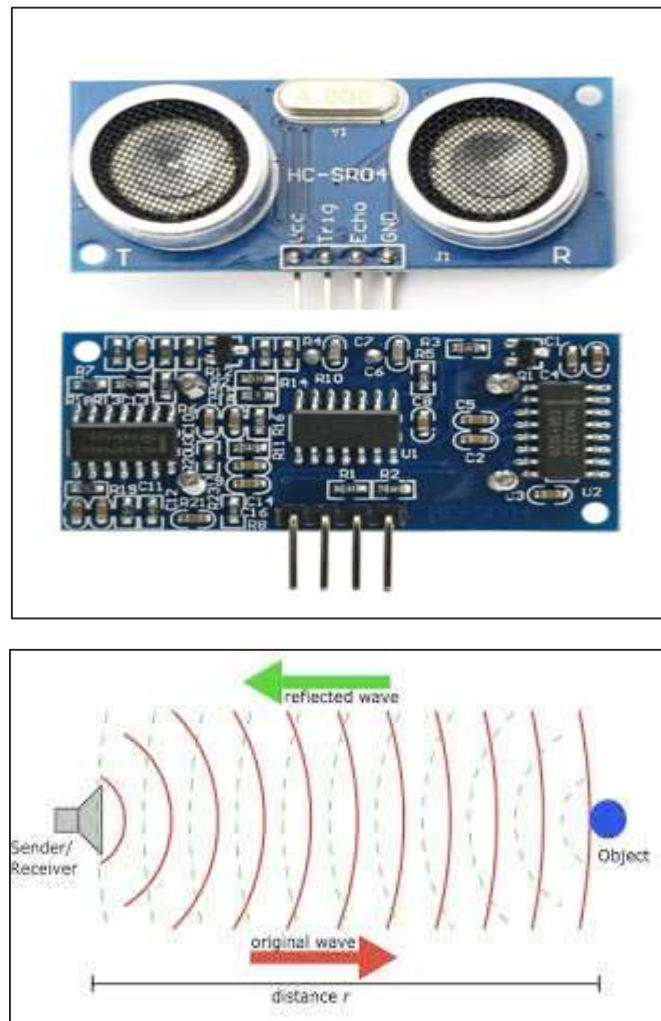
Result

You will see a message on your serial port if a motion is detected and another message when the motion stops.

39. Arduino – Ultrasonic Sensor

The HC-SR04 ultrasonic sensor uses SONAR to determine the distance of an object just like the bats do. It offers excellent non-contact range detection with high accuracy and stable readings in an easy-to-use package from 2 cm to 400 cm or 1" to 13 feet.

The operation is not affected by sunlight or black material, although acoustically, soft materials like cloth can be difficult to detect. It comes complete with ultrasonic transmitter and receiver module.



Technical Specifications

- Power Supply: +5V DC
- Quiescent Current: <2mA
- Working Current: 15mA
- Effectual Angle: <15°
- Ranging Distance: 2cm – 400 cm/1" – 13ft

- Resolution: 0.3 cm
- Measuring Angle: 30 degree

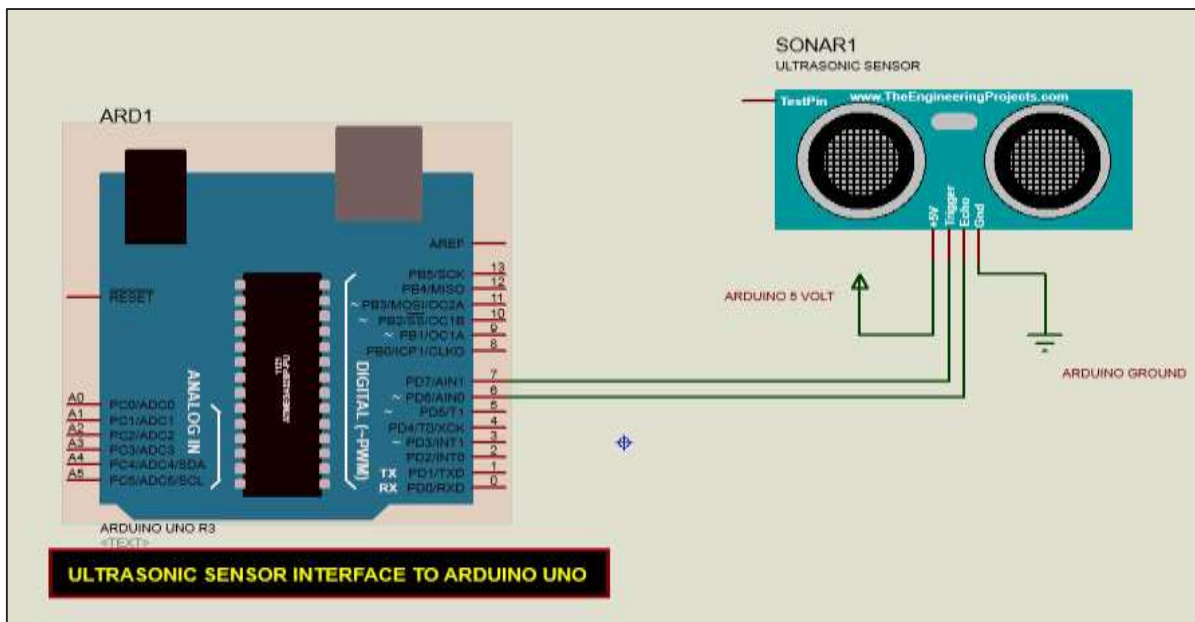
Components Required

You will need the following components:

- 1x Breadboard
- 1x Arduino Uno R3
- 1x ULTRASONIC Sensor (HC-SR04)

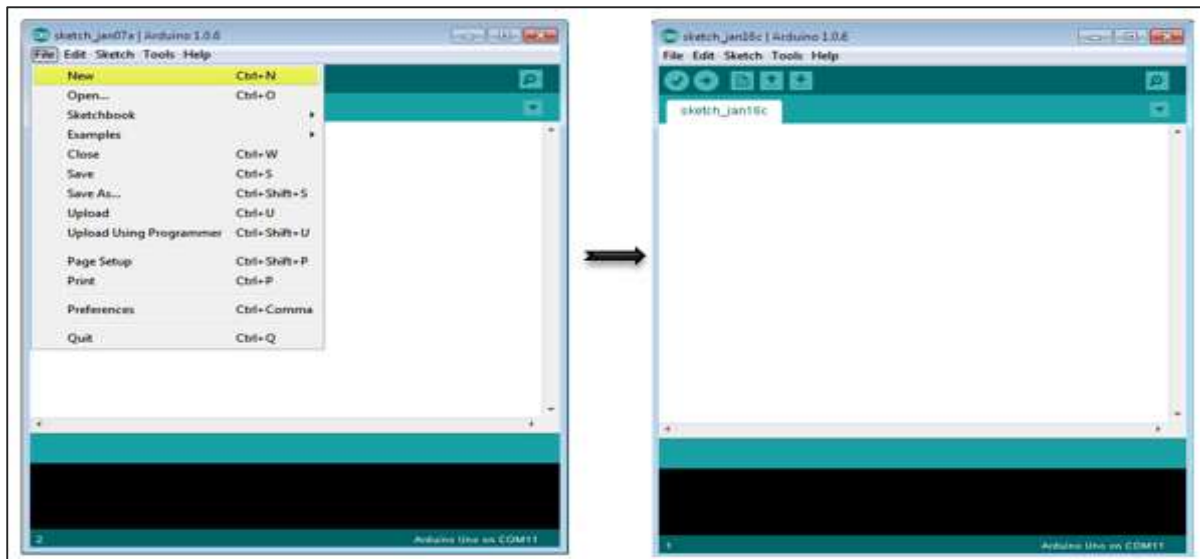
Procedure

Follow the circuit diagram and make the connections as shown in the image given below.



Sketch

Open the Arduino IDE software on your computer. Coding in the Arduino language will control your circuit. Open a new sketch File by clicking New.



Arduino Code

```

const int pingPin = 7; // Trigger Pin of Ultrasonic Sensor
const int echoPin = 6; // Echo Pin of Ultrasonic Sensor
void setup()
{
  Serial.begin(9600); // Starting Serial Terminal
}
void loop()
{
  long duration, inches, cm;
  pinMode(pingPin, OUTPUT);
  digitalWrite(pingPin, LOW);
  delayMicroseconds(2);
  digitalWrite(pingPin, HIGH);
  delayMicroseconds(10);
  digitalWrite(pingPin, LOW);
  pinMode(echoPin, INPUT);
  duration = pulseIn(echoPin, HIGH);

  inches = microsecondsToInches(duration);
  cm = microsecondsToCentimeters(duration);
  Serial.print(inches);
  Serial.print("in, ");
  Serial.print(cm);

```

```
Serial.print("cm");
Serial.println();
delay(100);
}
long microsecondsToInches(long microseconds)
{
return microseconds / 74 / 2;
}
long microsecondsToCentimeters(long microseconds)
{
return microseconds / 29 / 2;
}
```

Code to Note

The Ultrasonic sensor has four terminals - +5V, Trigger, Echo, and GND connected as follows:

- Connect the +5V pin to +5v on your Arduino board.
- Connect Trigger to digital pin 7 on your Arduino board.
- Connect Echo to digital pin 6 on your Arduino board.
- Connect GND with GND on Arduino.

In our program, we have displayed the distance measured by the sensor in inches and cm via the serial port.

Result

You will see the distance measured by sensor in inches and cm on Arduino serial monitor.

40. Arduino – Connecting Switch

Pushbuttons or switches connect two open terminals in a circuit. This example turns on the LED on pin 2 when you press the pushbutton switch connected to pin 8.

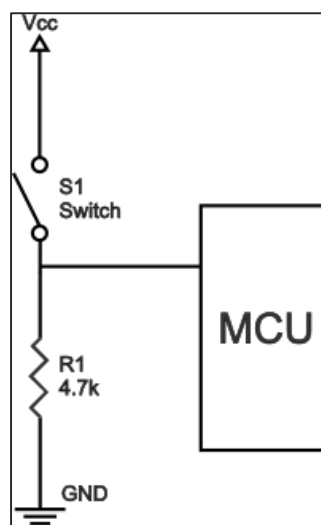


Pull-down Resistor

Pull-down resistors are used in electronic logic circuits to ensure that inputs to Arduino settle at expected logic levels if external devices are disconnected or are at high-impedance. As nothing is connected to an input pin, it does not mean that it is a logical zero. Pull down resistors are connected between the ground and the appropriate pin on the device.

An example of a pull-down resistor in a digital circuit is shown in the following figure. A pushbutton switch is connected between the supply voltage and a microcontroller pin. In such a circuit, when the switch is closed, the micro-controller input is at a logical high value, but when the switch is open, the pull-down resistor pulls the input voltage down to the ground (logical zero value), preventing an undefined state at the input.

The pull-down resistor must have a larger resistance than the impedance of the logic circuit, or else it might pull the voltage down too much and the input voltage at the pin would remain at a constant logical low value, regardless of the switch position.



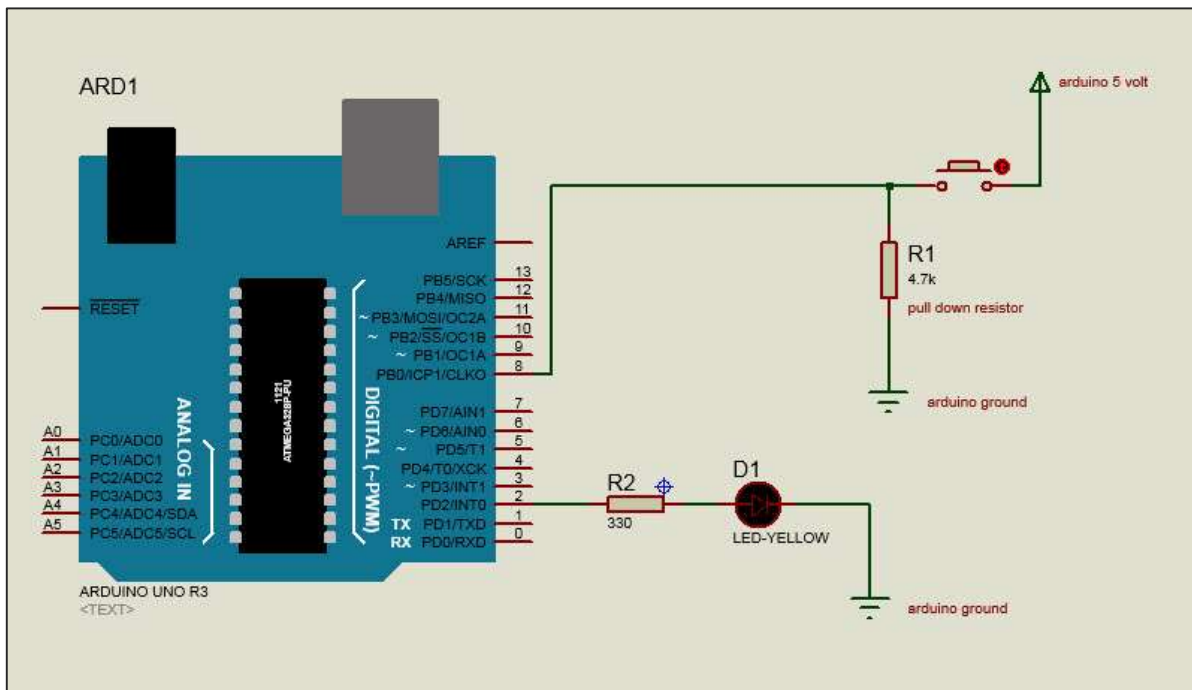
Components Required

You will need the following components:

- 1x Arduino UNO board
- 1x330 ohm resistor
- 1x 4.7K ohm resistor (pull down)
- 1x LED

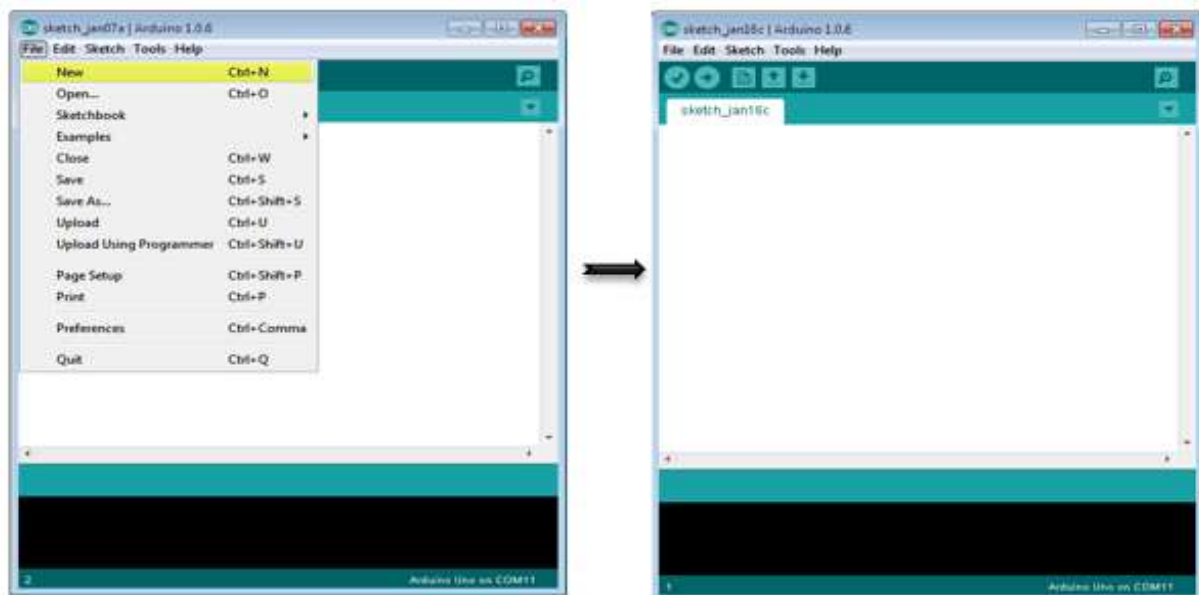
Procedure

Follow the circuit diagram and make the connections as shown in the image given below.



Sketch

Open the Arduino IDE software on your computer. Coding in the Arduino language will control your circuit. Open a new sketch File by clicking on New.



Arduino Code

```
// constants won't change. They're used here to
// set pin numbers:
const int buttonPin = 8;    // the number of the pushbutton pin
const int ledPin = 2;      // the number of the LED pin

// variables will change:
int buttonState = 0;        // variable for reading the pushbutton status
void setup()
{
  // initialize the LED pin as an output:
  pinMode(ledPin, OUTPUT);
  // initialize the pushbutton pin as an input:
  pinMode(buttonPin, INPUT);
}
void loop()
{
  // read the state of the pushbutton value:
  buttonState = digitalRead(buttonPin);
```

```
// check if the pushbutton is pressed.  
// if it is, the buttonState is HIGH:  
if (buttonState == HIGH) {  
    // turn LED on:  
    digitalWrite(ledPin, HIGH);  
} else {  
    // turn LED off:  
    digitalWrite(ledPin, LOW);  
}  
}
```

Code to Note

When the switch is open, (pushbutton is not pressed), there is no connection between the two terminals of the pushbutton, so the pin is connected to the ground (through the pull-down resistor) and we read a LOW. When the switch is closed (pushbutton is pressed), it makes a connection between its two terminals, connecting the pin to 5 volts, so that we read a HIGH.

Result

LED is turned ON when the pushbutton is pressed and OFF when it is released.

Arduino – Motor Control

41. Arduino – DC Motor

In this chapter, we will interface different types of motors with the Arduino board (UNO) and show you how to connect the motor and drive it from your board.

There are three different type of motors -

- DC motor
- Servo motor
- Stepper motor

A DC motor (Direct Current motor) is the most common type of motor. DC motors normally have just two leads, one positive and one negative. If you connect these two leads directly to a battery, the motor will rotate. If you switch the leads, the motor will rotate in the opposite direction.



Warning: Do not drive the motor directly from Arduino board pins. This may damage the board. Use a driver Circuit or an IC.

We will divide this chapter into three parts-

- Just make your motor spin
- Control motor speed
- Control the direction of the spin of DC motor

Components Required

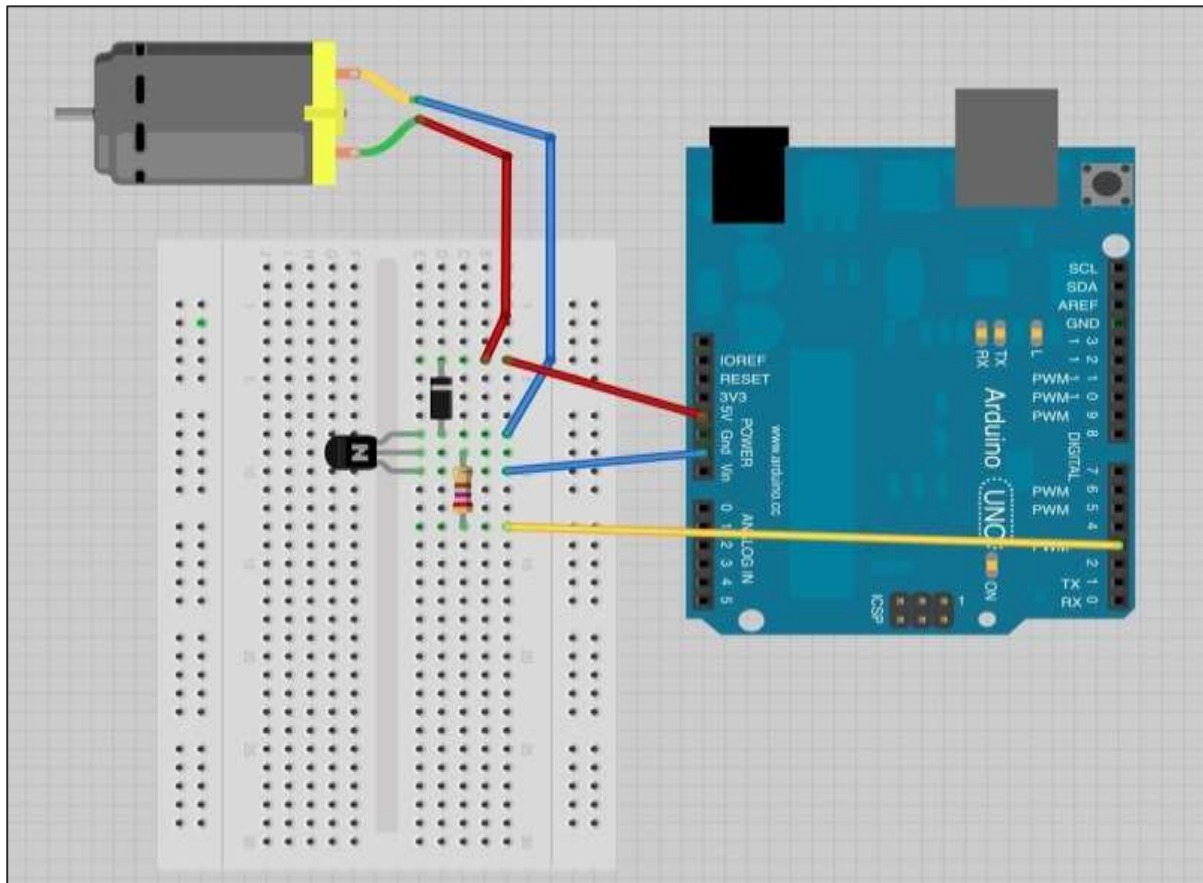
You will need the following components:

- 1x Arduino UNO board
- 1x PN2222 Transistor

- 1x Small 6V DC Motor
- 1x 1N4001 diode
- 1x 270 Ω Resistor

Procedure

Follow the circuit diagram and make the connections as shown in the image given below.



Precautions

Take the following precautions while making the connections.

- First, make sure that the transistor is connected in the right way. The flat side of the transistor should face the Arduino board as shown in the arrangement.
- Second, the striped end of the diode should be towards the +5V power line according to the arrangement shown in the image.

Spin Control Arduino Code

```
int motorPin = 3;

void setup()
{
  pinMode(motorPin, OUTPUT);
}
```

```

}
void loop()
{
    digitalWrite(motorPin, HIGH);
}

```

Code to Note

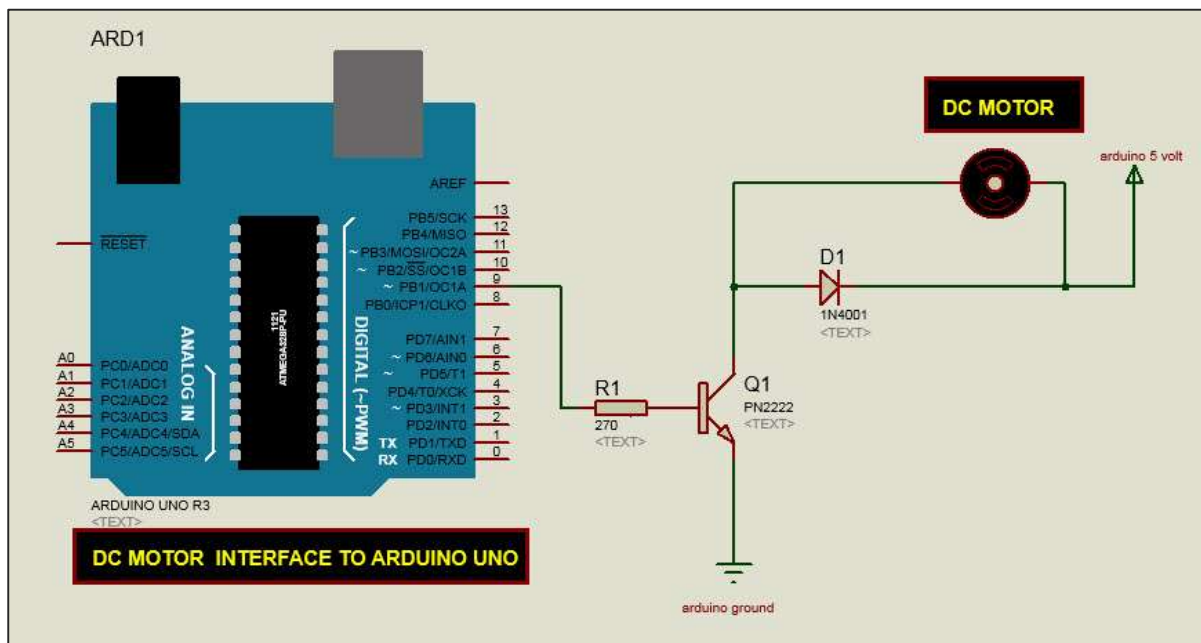
The transistor acts like a switch, controlling the power to the motor. Arduino pin 3 is used to turn the transistor on and off and is given the name 'motorPin' in the sketch.

Result

Motor will spin in full speed when the Arduino pin number 3 goes high.

Motor Speed Control

Following is the schematic diagram of a DC motor, connected to the Arduino board.



Arduino Code

```

int motorPin = 9;
void setup()
{
    pinMode(motorPin, OUTPUT);
    Serial.begin(9600);
    while (! Serial);
}

```

```

    Serial.println("Speed 0 to 255");
}
void loop()
{
    if (Serial.available())
    {
        int speed = Serial.parseInt();
        if (speed >= 0 && speed <= 255)

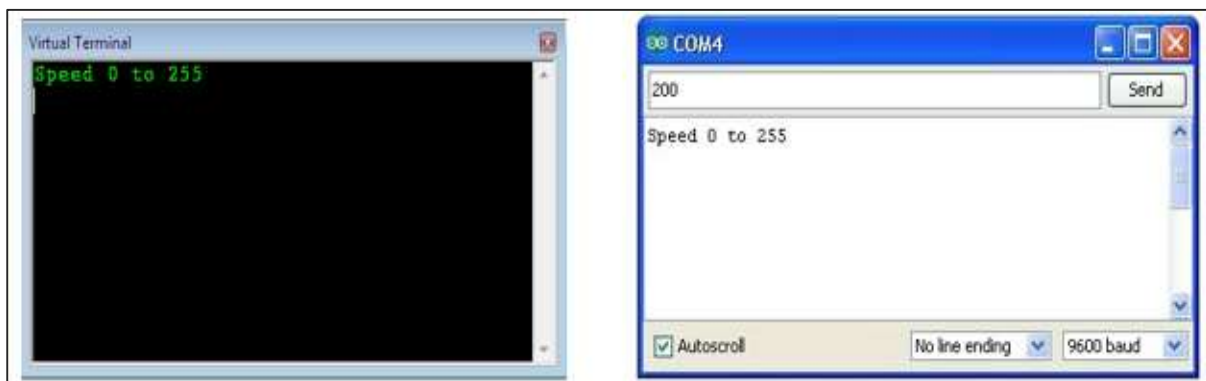
        {
            analogWrite(motorPin, speed);
        }
    }
}
}

```

Code to Note

The transistor acts like a switch, controlling the power of the motor. Arduino pin 3 is used to turn the transistor on and off and is given the name 'motorPin' in the sketch.

When the program starts, it prompts you to give the values to control the speed of the motor. You need to enter a value between 0 and 255 in the Serial Monitor.



In the 'loop' function, the command 'Serial.parseInt' is used to read the number entered as text in the Serial Monitor and convert it into an 'int'. You can type any number here. The 'if' statement in the next line simply does an analog write with this number, if the number is between 0 and 255.

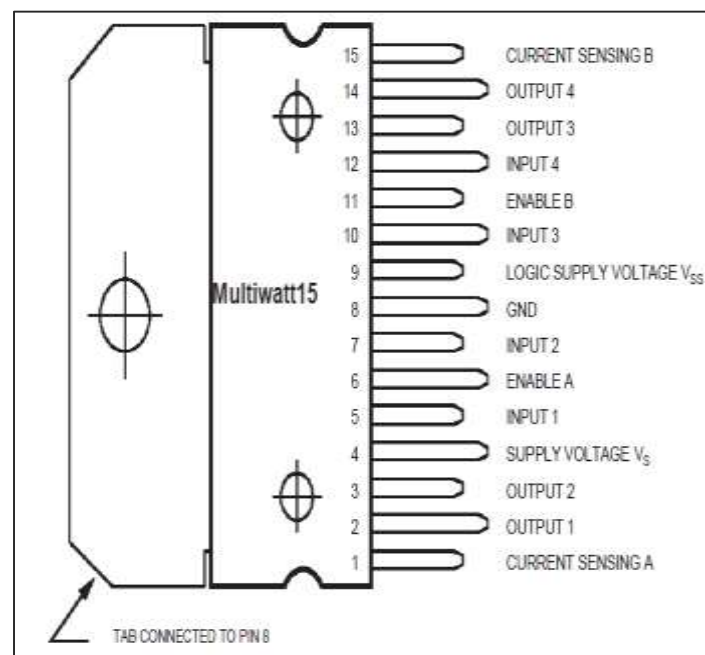
Result

The DC motor will spin with different speeds according to the value (0 to 250) received via the serial port.

Spin Direction Control

To control the direction of the spin of DC motor, without interchanging the leads, you can use a circuit called an **H-Bridge**. An H-bridge is an electronic circuit that can drive the motor in both directions. H-bridges are used in many different applications. One of the most common application is to control motors in robots. It is called an H-bridge because it uses four transistors connected in such a way that the schematic diagram looks like an "H."

We will be using the L298 H-Bridge IC here. The L298 can control the speed and direction of DC motors and stepper motors, and can control two motors simultaneously. Its current rating is 2A for each motor. At these currents, however, you will need to use heat sinks.



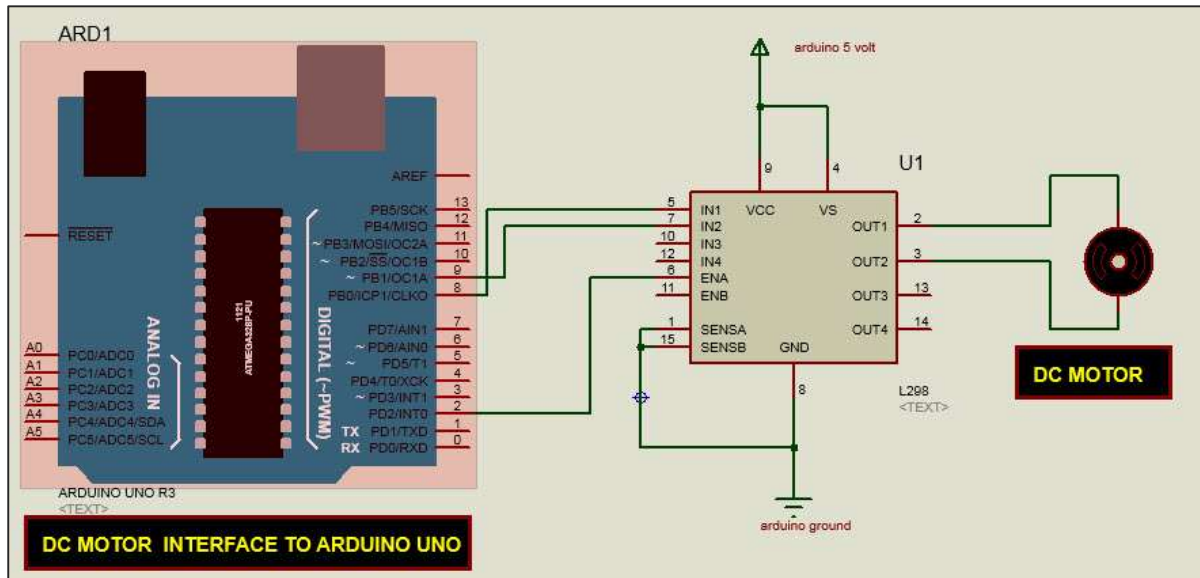
Components Required

You will need the following components:

- 1 x L298 bridge IC
- 1 x DC motor
- 1 x Arduino UNO
- 1 x breadboard
- 10 x jumper wires

Procedure

Following is the schematic diagram of the DC motor interface to Arduino Uno board.



The above diagram shows how to connect the L298 IC to control two motors. There are three input pins for each motor, Input1 (IN1), Input2 (IN2), and Enable1 (EN1) for Motor1 and Input3, Input4, and Enable2 for Motor2.

Since we will be controlling only one motor in this example, we will connect the Arduino to IN1 (pin 5), IN2 (pin 7), and Enable1 (pin 6) of the L298 IC. Pins 5 and 7 are digital, i.e. ON or OFF inputs, while pin 6 needs a pulse-width modulated (PWM) signal to control the motor speed.

The following table shows which direction the motor will turn based on the digital values of IN1 and IN2.

IN1	IN2	Motor Behavior
		BRAKE
1		FORWARD
	1	BACKWARD
1	1	BRAKE

Pin IN1 of the IC L298 is connected to pin 8 of Arduino while IN2 is connected to pin 9. These two digital pins of Arduino control the direction of the motor. The EN A pin of IC is connected to the PWM pin 2 of Arduino. This will control the speed of the motor.

To set the values of Arduino pins 8 and 9, we have used the digitalWrite() function, and to set the value of pin 2, we have to use the analogWrite() function.

Connection Steps

- Connect 5V and the ground of the IC to 5V and the ground of Arduino, respectively.
- Connect the motor to pins 2 and 3 of the IC.
- Connect IN1 of the IC to pin 8 of Arduino.
- Connect IN2 of the IC to pin 9 of Arduino.
- Connect EN1 of IC to pin 2 of Arduino.
- Connect SENS A pin of IC to the ground.
- Connect Arduino using Arduino USB cable and upload the program to Arduino using Arduino IDE software.
- Provide power to Arduino board using power supply, battery, or USB cable.

Arduino Code

```
const int pwm = 2 ;      //initializing pin 2 as pwm
const int in_1 = 8 ;
const int in_2 = 9 ;

//For providing logic to L298 IC to choose the direction of the DC motor
void setup()
{
  pinMode(pwm,OUTPUT) ;   //we have to set PWM pin as output
  pinMode(in_1,OUTPUT) ;  //Logic pins are also set as output
  pinMode(in_2,OUTPUT) ;
}
void loop()
{
  //For Clock wise motion , in_1 = High , in_2 = Low
  digitalWrite(in_1,HIGH) ;
  digitalWrite(in_2,LOW) ;
  analogWrite(pwm,255) ;

  /* setting pwm of the motor to 255 we can change the speed of rotation
  by changing pwm input but we are only using arduino so we are using highest
  value to driver the motor */
}
```



```
//Clockwise for 3 secs
delay(3000) ;
//For brake
digitalWrite(in_1,HIGH) ;
digitalWrite(in_2,HIGH) ;
delay(1000) ;
//For Anti Clock-wise motion - IN_1 = LOW , IN_2 = HIGH
digitalWrite(in_1,LOW) ;
digitalWrite(in_2,HIGH) ;
delay(3000) ;
//For brake
digitalWrite(in_1,HIGH) ;
digitalWrite(in_2,HIGH) ;
delay(1000) ;
}
```

Result

The motor will run first in the clockwise (CW) direction for 3 seconds and then counter-clockwise (CCW) for 3 seconds.

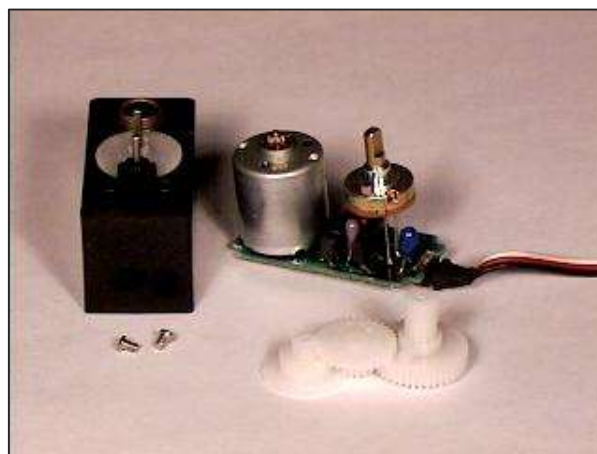
42. Arduino – Servo Motor

A Servo Motor is a small device that has an output shaft. This shaft can be positioned to specific angular positions by sending the servo a coded signal. As long as the coded signal exists on the input line, the servo will maintain the angular position of the shaft. If the coded signal changes, the angular position of the shaft changes. In practice, servos are used in radio-controlled airplanes to position control surfaces like the elevators and rudders. They are also used in radio-controlled cars, puppets, and of course, robots.



Servos are extremely useful in robotics. The motors are small, have built-in control circuitry, and are extremely powerful for their size. A standard servo such as the Futaba S-148 has 42 oz/inches of torque, which is strong for its size. It also draws power proportional to the mechanical load. A lightly loaded servo, therefore, does not consume much energy.

The guts of a servo motor is shown in the following picture. You can see the control circuitry, the motor, a set of gears, and the case. You can also see the 3 wires that connect to the outside world. One is for power (+5volts), ground, and the white wire is the control wire.



Working of a Servo Motor

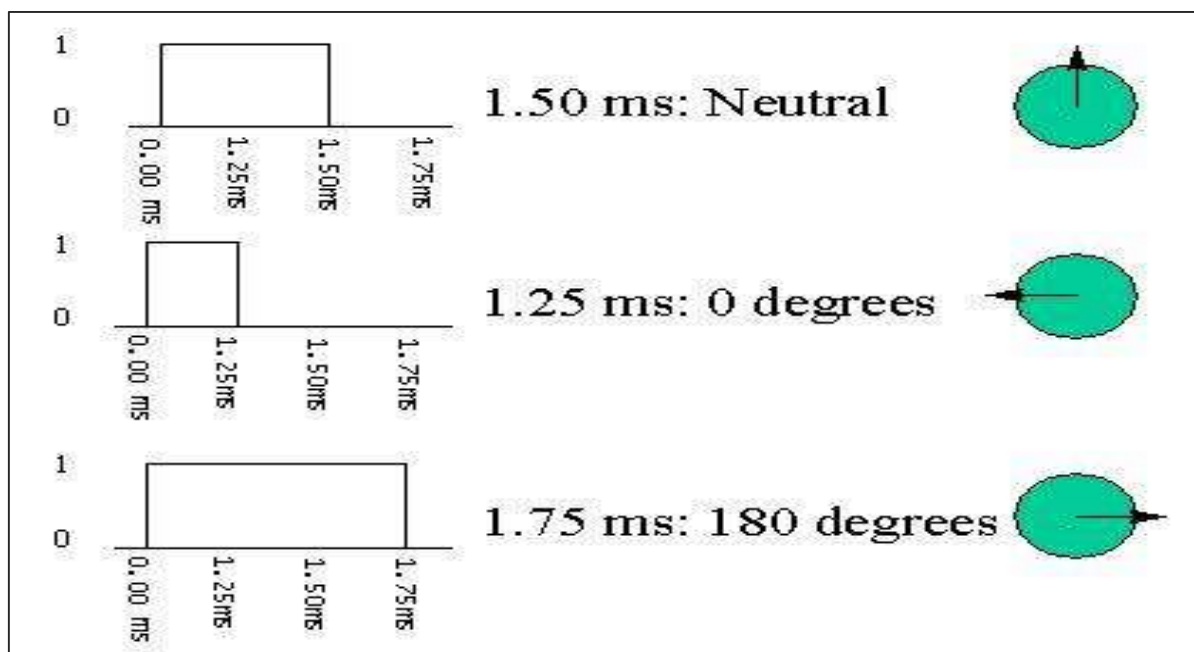
The servo motor has some control circuits and a potentiometer (a variable resistor, aka pot) connected to the output shaft. In the picture above, the pot can be seen on the right side of the circuit board. This pot allows the control circuitry to monitor the current angle of the servo motor.

If the shaft is at the correct angle, then the motor shuts off. If the circuit finds that the angle is not correct, it will turn the motor until it is at a desired angle. The output shaft of the servo is capable of traveling somewhere around 180 degrees. Usually, it is somewhere in the 210-degree range, however, it varies depending on the manufacturer. A normal servo is used to control an angular motion of 0 to 180 degrees. It is mechanically not capable of turning any farther due to a mechanical stop built on to the main output gear.

The power applied to the motor is proportional to the distance it needs to travel. So, if the shaft needs to turn a large distance, the motor will run at full speed. If it needs to turn only a small amount, the motor will run at a slower speed. This is called **proportional control**.

How Do You Communicate the Angle at Which the Servo Should Turn?

The control wire is used to communicate the angle. The angle is determined by the duration of a pulse that is applied to the control wire. This is called **Pulse Coded Modulation**. The servo expects to see a pulse every 20 milliseconds (.02 seconds). The length of the pulse will determine how far the motor turns. A 1.5 millisecond pulse, for example, will make the motor turn to the 90-degree position (often called as the neutral position). If the pulse is shorter than 1.5 milliseconds, then the motor will turn the shaft closer to 0 degrees. If the pulse is longer than 1.5 milliseconds, the shaft turns closer to 180 degrees.



Components Required

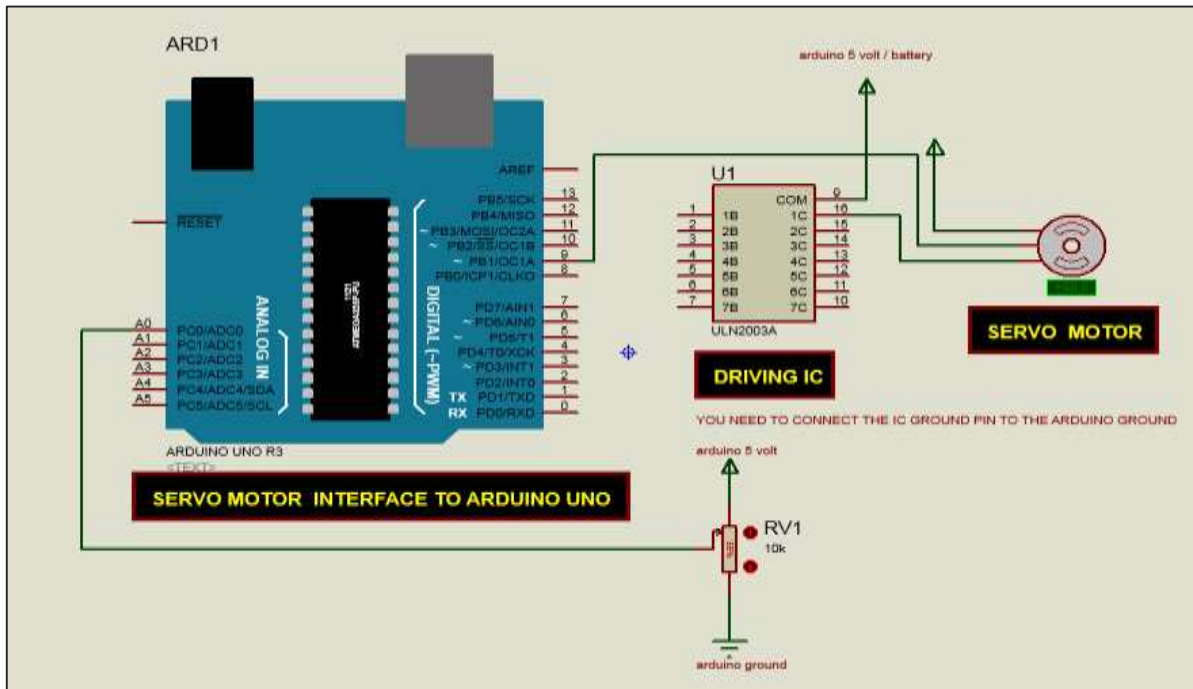
You will need the following components:

- 1x Arduino UNO board
- 1x Servo Motor

- 1x ULN2003 driving IC
- 1x 10 KΩ Resistor

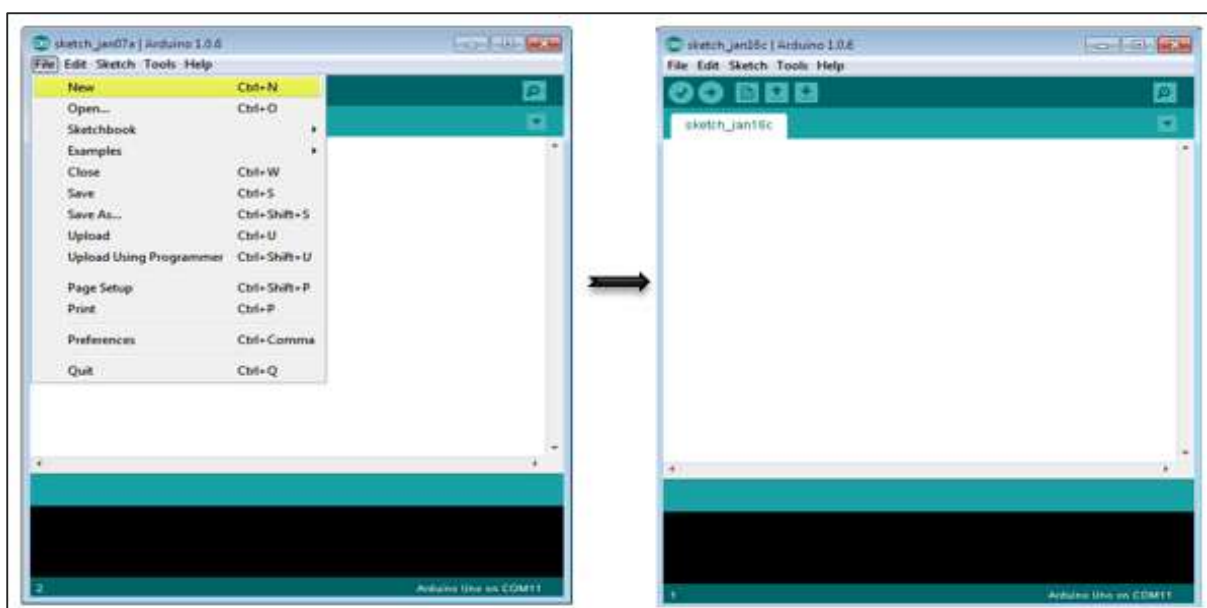
Procedure

Follow the circuit diagram and make the connections as shown in the image given below.



Sketch

Open the Arduino IDE software on your computer. Coding in the Arduino language will control your circuit. Open a new sketch File by clicking on New.



Arduino Code

```
/* Controlling a servo position using a potentiometer (variable resistor) */

#include <Servo.h>

Servo myservo;    // create servo object to control a servo
int potpin = 0;   // analog pin used to connect the potentiometer
int val;         // variable to read the value from the analog pin
void setup()
{
  myservo.attach(9);    // attaches the servo on pin 9 to the servo object
}
void loop()
{
  val = analogRead(potpin);
  // reads the value of the potentiometer (value between 0 and 1023)

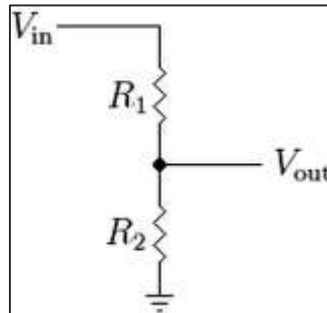
  val = map(val, 0, 1023, 0, 180);
  // scale it to use it with the servo (value between 0 and 180)
  myservo.write(val); // sets the servo position according to the scaled value
  delay(15);
}
```

Code to Note

Servo motors have three terminals - power, ground, and signal. The power wire is typically red, and should be connected to the 5V pin on the Arduino. The ground wire is typically black or brown and should be connected to one terminal of ULN2003 IC (10 -16). To protect your Arduino board from damage, you will need some driver IC to do that. Here we have used ULN2003 IC to drive the servo motor. The signal pin is typically yellow or orange and should be connected to Arduino pin number 9.

Connecting the Potentiometer

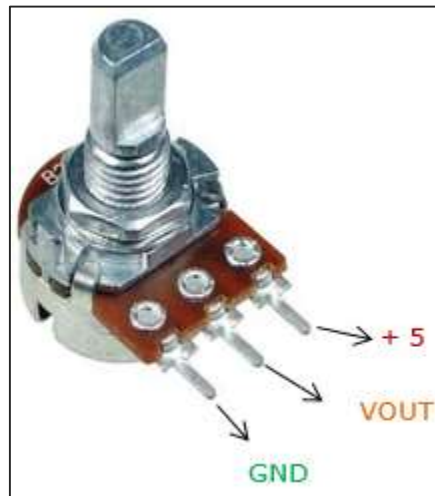
A voltage divider/potential divider are resistors in a series circuit that scale the output voltage to a particular ratio of the input voltage applied. Following is the circuit diagram -



$$V_{out} = (V_{in} \times R_2) / (R_1 + R_2)$$

V_{out} is the output potential, which depends on the applied input voltage (V_{in}) and resistors (R_1 and R_2) in the series. It means that the current flowing through R_1 will also flow through R_2 without being divided. In the above equation, as the value of R_2 changes, the V_{out} scales accordingly with respect to the input voltage, V_{in} .

Typically, a potentiometer is a potential divider, which can scale the output voltage of the circuit based on the value of the variable resistor, which is scaled using the knob. It has three pins: GND, Signal, and +5V as shown in the diagram below -



Result

By changing the pot's NOP position, servo motor will change its angle.

43. Arduino – Stepper Motor

A Stepper Motor or a step motor is a brushless, synchronous motor, which divides a full rotation into a number of steps. Unlike a brushless DC motor, which rotates continuously when a fixed DC voltage is applied to it, a step motor rotates in discrete step angles.

The Stepper Motors therefore are manufactured with steps per revolution of 12, 24, 72, 144, 180, and 200, resulting in stepping angles of 30, 15, 5, 2.5, 2, and 1.8 degrees per step. The stepper motor can be controlled with or without feedback.

Imagine a motor on an RC airplane. The motor spins very fast in one direction or another. You can vary the speed with the amount of power given to the motor, but you cannot tell the propeller to stop at a specific position.

Now imagine a printer. There are lots of moving parts inside a printer, including motors. One such motor acts as the paper feed, spinning rollers that move the piece of paper as ink is being printed on it. This motor needs to be able to move the paper an exact distance to be able to print the next line of text or the next line of an image.

There is another motor attached to a threaded rod that moves the print head back and forth. Again, that threaded rod needs to be moved an exact amount to print one letter after another. This is where the stepper motors come in handy.



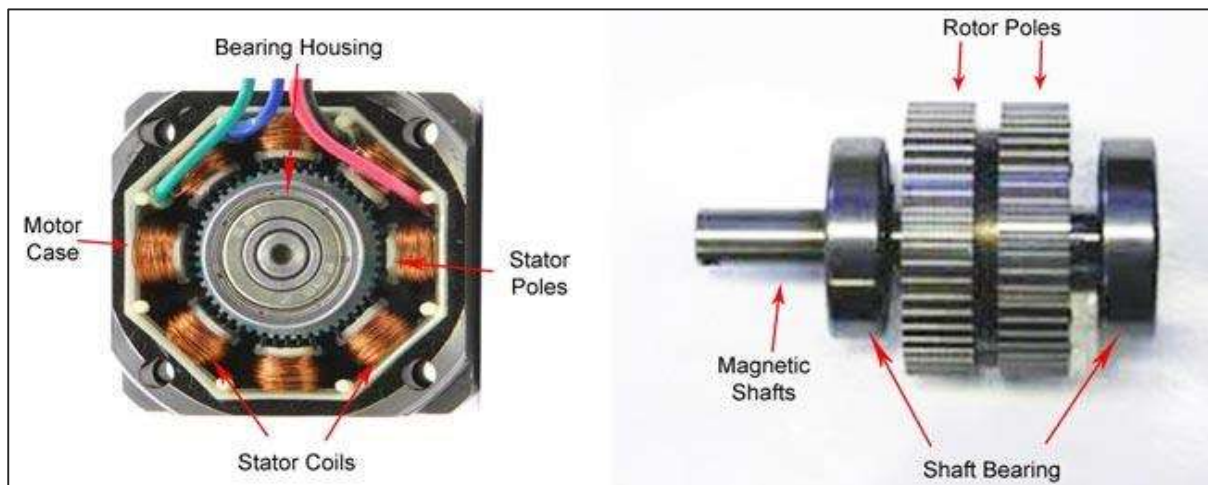
How a Stepper Motor Works?

A regular DC motor spins in only direction whereas a Stepper motor can spin in precise increments.

Stepper motors can turn an exact amount of degrees (or steps) as desired. This gives you total control over the motor, allowing you to move it to an exact location and hold that position. It does so by powering the coils inside the motor for very short periods of time. The disadvantage is that you have to power the motor all the time to keep it in the position that you desire.

All you need to know for now is that, to move a stepper motor, you tell it to move a certain number of steps in one direction or the other, and tell it the speed at which to step in that direction. There are numerous varieties of stepper motors. The methods described here can be used to infer how to use other motors and drivers which are not mentioned in this

tutorial. However, it is always recommended that you consult the datasheets and guides of the motors and drivers specific to the models you have.



Components Required

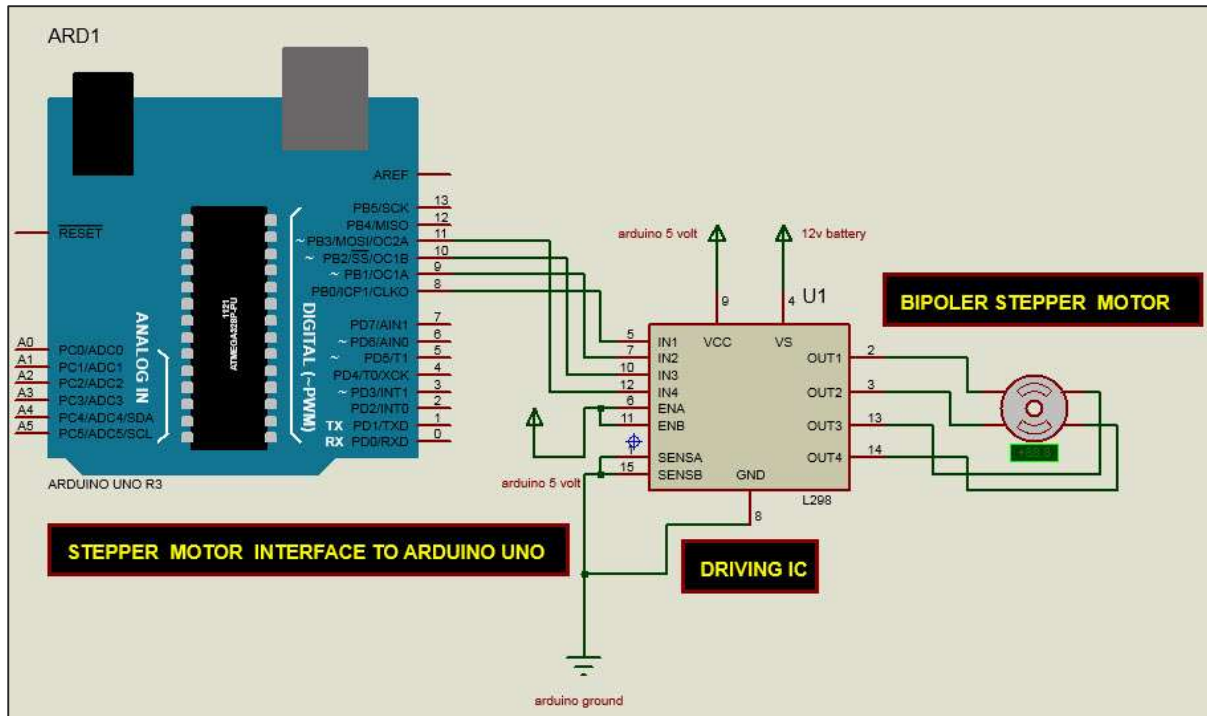
You will need the following components -

- 1x Arduino UNO board
- 1x small bipolar stepper Motor as shown in the image given below
- 1x LM298 driving IC



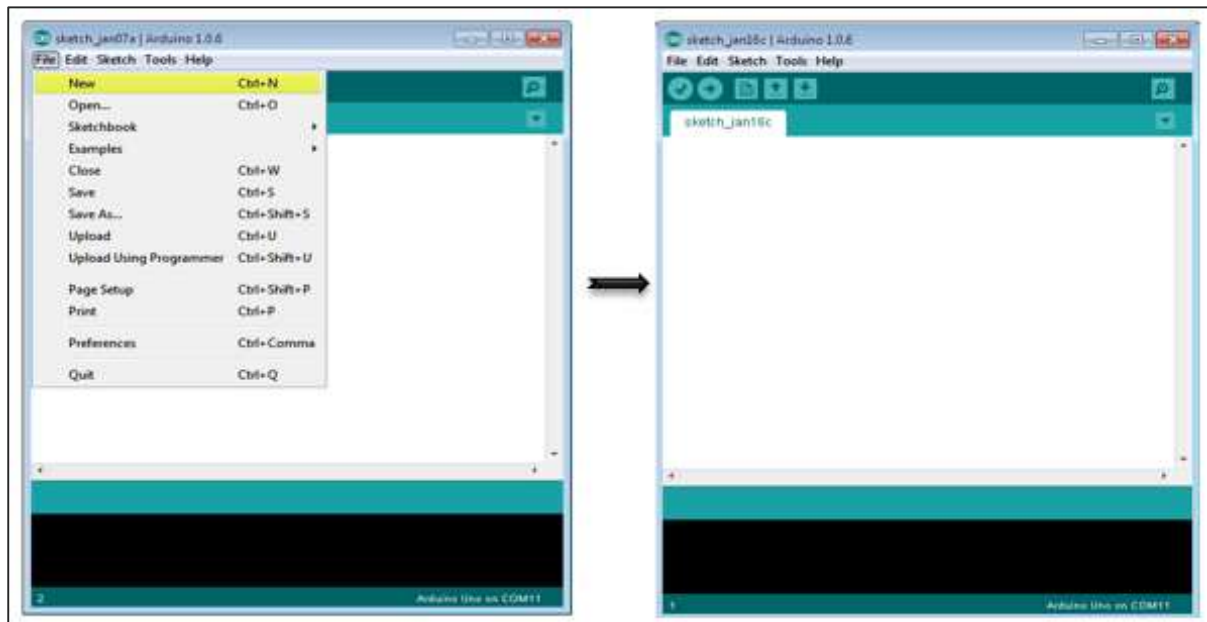
Procedure

Follow the circuit diagram and make the connections as shown in the image given below.



Sketch

Open the Arduino IDE software on your computer. Coding in the Arduino language will control your circuit. Open a new sketch File by clicking New.



Arduino Code

```
/* Stepper Motor Control */
#include <Stepper.h>
const int stepsPerRevolution = 90;
// change this to fit the number of steps per revolution
// for your motor
// initialize the stepper library on pins 8 through 11:
Stepper myStepper(stepsPerRevolution, 8, 9, 10, 11);

void setup() {
  // set the speed at 60 rpm:
  myStepper.setSpeed(5);
  // initialize the serial port:
  Serial.begin(9600);
}
void loop() {
  // step one revolution in one direction:
  Serial.println("clockwise");
  myStepper.step(stepsPerRevolution);
  delay(500);
  // step one revolution in the other direction:
  Serial.println("counterclockwise");
  myStepper.step(-stepsPerRevolution);
  delay(500);
}}
```

Code to Note

This program drives a unipolar or bipolar stepper motor. The motor is attached to digital pins 8 - 11 of Arduino.

Result

The motor will take one revolution in one direction, then one revolution in the other direction.

Arduino and Sound

44. Arduino – Tone Library

In this chapter, we will use the Arduino Tone Library. It is nothing but an Arduino Library, which produces square-wave of a specified frequency (and 50% duty cycle) on any Arduino pin. A duration can optionally be specified, otherwise the wave continues until the stop() function is called. The pin can be connected to a piezo buzzer or a speaker to play the tones.

Warning: Do not connect the pin directly to any audio input. The voltage is considerably higher than the standard line level voltages, and can damage sound card inputs, etc. You can use a voltage divider to bring the voltage down.

You MUST have a resistor in line with the speaker, or you WILL damage the controller.

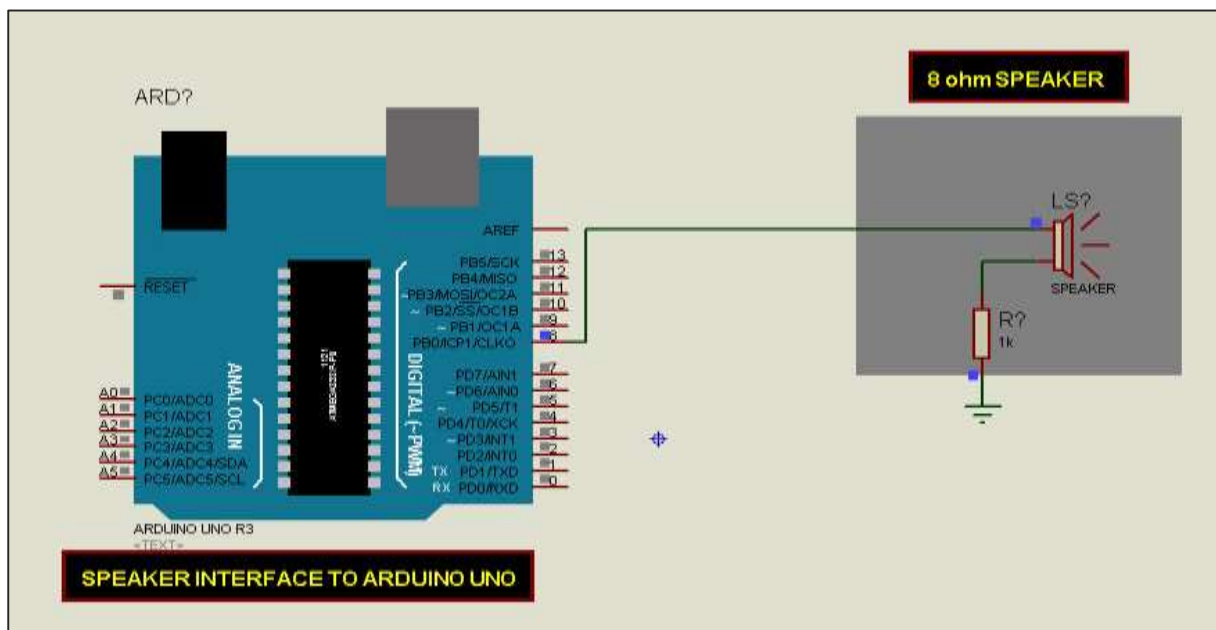
Components Required

You will need the following components -

- 1x 8-ohm speaker
- 1x 1k resistor
- 1x Arduino UNO board

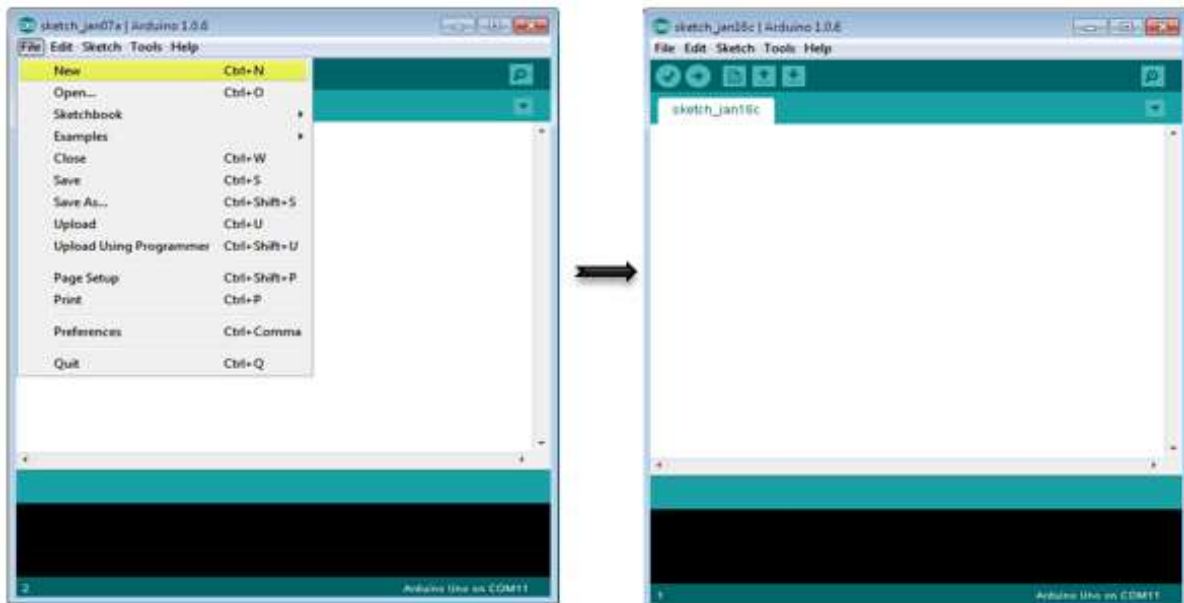
Procedure

Follow the circuit diagram and make the connections as shown in the image given below.



Sketch

Open the Arduino IDE software on your computer. Coding in the Arduino language will control your circuit. Open a new sketch File by clicking New.



To make the pitches.h file, either click the button just below the serial monitor icon and choose "New Tab", or use Ctrl+Shift+N.



Then paste the following code:

```
/******  
 * Public Constants  
******/  
  
#define NOTE_B0 31  
#define NOTE_C1 33  
#define NOTE_CS1 35  
#define NOTE_D1 37  
#define NOTE_DS1 39  
#define NOTE_E1 41  
#define NOTE_F1 44  
#define NOTE_FS1 46  
#define NOTE_G1 49  
#define NOTE_GS1 52  
#define NOTE_A1 55  
#define NOTE_AS1 58  
#define NOTE_B1 62  
#define NOTE_C2 65  
#define NOTE_CS2 69  
#define NOTE_D2 73  
#define NOTE_DS2 78  
#define NOTE_E2 82  
#define NOTE_F2 87  
#define NOTE_FS2 93  
#define NOTE_G2 98  
#define NOTE_GS2 104  
#define NOTE_A2 110  
#define NOTE_AS2 117  
#define NOTE_B2 123  
#define NOTE_C3 131  
#define NOTE_CS3 139  
#define NOTE_D3 147
```

```
#define NOTE_DS3 156
#define NOTE_E3 165
#define NOTE_F3 175
#define NOTE_FS3 185
#define NOTE_G3 196
#define NOTE_GS3 208
#define NOTE_A3 220
#define NOTE_AS3 233
#define NOTE_B3 247
#define NOTE_C4 262
#define NOTE_CS4 277
#define NOTE_D4 294
#define NOTE_DS4 311
#define NOTE_E4 330
#define NOTE_F4 349
#define NOTE_FS4 370
#define NOTE_G4 392
#define NOTE_GS4 415
#define NOTE_A4 440
#define NOTE_AS4 466
#define NOTE_B4 494
#define NOTE_C5 523
#define NOTE_CS5 554
#define NOTE_D5 587
#define NOTE_DS5 622
#define NOTE_E5 659
#define NOTE_F5 698
#define NOTE_FS5 740
#define NOTE_G5 784
#define NOTE_GS5 831
#define NOTE_A5 880
#define NOTE_AS5 932
#define NOTE_B5 988
#define NOTE_C6 1047
#define NOTE_CS6 1109
```

```

#define NOTE_D6  1175
#define NOTE_DS6 1245
#define NOTE_E6  1319
#define NOTE_F6  1397
#define NOTE_FS6 1480
#define NOTE_G6  1568
#define NOTE_GS6 1661
#define NOTE_A6  1760
#define NOTE_AS6 1865
#define NOTE_B6  1976
#define NOTE_C7  2093
#define NOTE_CS7 2217
#define NOTE_D7  2349
#define NOTE_DS7 2489
#define NOTE_E7  2637
#define NOTE_F7  2794
#define NOTE_FS7 2960
#define NOTE_G7  3136
#define NOTE_GS7 3322
#define NOTE_A7  3520
#define NOTE_AS7 3729
#define NOTE_B7  3951
#define NOTE_C8  4186
#define NOTE_CS8 4435
#define NOTE_D8  4699
#define NOTE_DS8 4978

```

Save the above given code as **pitches.h**

Arduino Code

```

#include "pitches.h"
// notes in the melody:
int melody[] = {
NOTE_C4, NOTE_G3,NOTE_G3, NOTE_GS3, NOTE_G3,0, NOTE_B3, NOTE_C4};
// note durations: 4 = quarter note, 8 = eighth note, etc.:
int noteDurations[] = {
  4, 8, 8, 4,4,4,4,4 };

```



```

void setup() {
  // iterate over the notes of the melody:
  for (int thisNote = 0; thisNote < 8; thisNote++) {
    // to calculate the note duration, take one second
    // divided by the note type.
    //e.g. quarter note = 1000 / 4, eighth note = 1000/8, etc.
    int noteDuration = 1000/noteDurations[thisNote];
    tone(8, melody[thisNote],noteDuration);
    //pause for the note's duration plus 30 ms:
    delay(noteDuration +30);
  }
}
void loop()
{
  // no need to repeat the melody.
}

```

Code to Note

The code uses an extra file, pitches.h. This file contains all the pitch values for typical notes. For example, NOTE_C4 is middle C. NOTE_FS4 is F sharp, and so forth. This note table was originally written by Brett Hagman, on whose work the tone() command was based. You may find it useful whenever you want to make musical notes.

Result

You will hear musical notes saved in the pitches.h. file.

45. Arduino – Wireless Communication

The wireless transmitter and receiver modules work at 315 Mhz. They can easily fit into a breadboard and work well with microcontrollers to create a very simple wireless data link. With one pair of transmitter and receiver, the modules will only work communicating data one-way, however, you would need two pairs (of different frequencies) to act as a transmitter/receiver pair.

Note: These modules are indiscriminate and receive a fair amount of noise. Both the transmitter and receiver work at common frequencies and do not have IDs.



Receiver Module Specifications

- Product Model: MX-05V
- Operating voltage: DC5V
- Quiescent Current: 4mA
- Receiving frequency: 315Mhz
- Receiver sensitivity: -105DB
- Size: 30 * 14 * 7mm

Transmitter Module Specifications

- Product Model: MX-FS-03V
- Launch distance: 20-200 meters (different voltage, different results)
- Operating voltage: 3.5-12V
- Dimensions: 19 * 19mm
- Operating mode: AM
- Transfer rate: 4KB / S
- Transmitting power: 10mW
- Transmitting frequency: 315Mhz

- An external antenna: 25cm ordinary multi-core or single-core line
- Pinout from left → right: (DATA; VCC; GND)

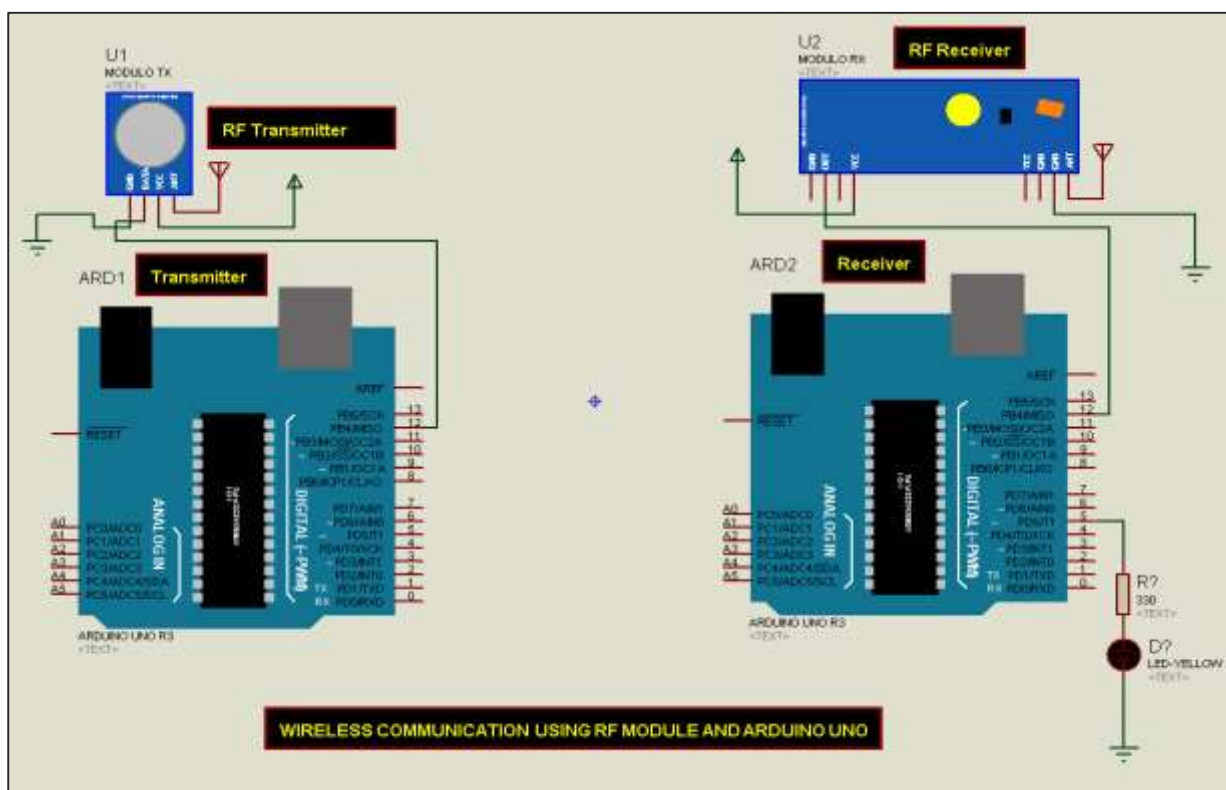
Components Required

You will need the following components-

- 2x Arduino UNO board
- 1x Rf link transmitter
- 1x Rf link receiver

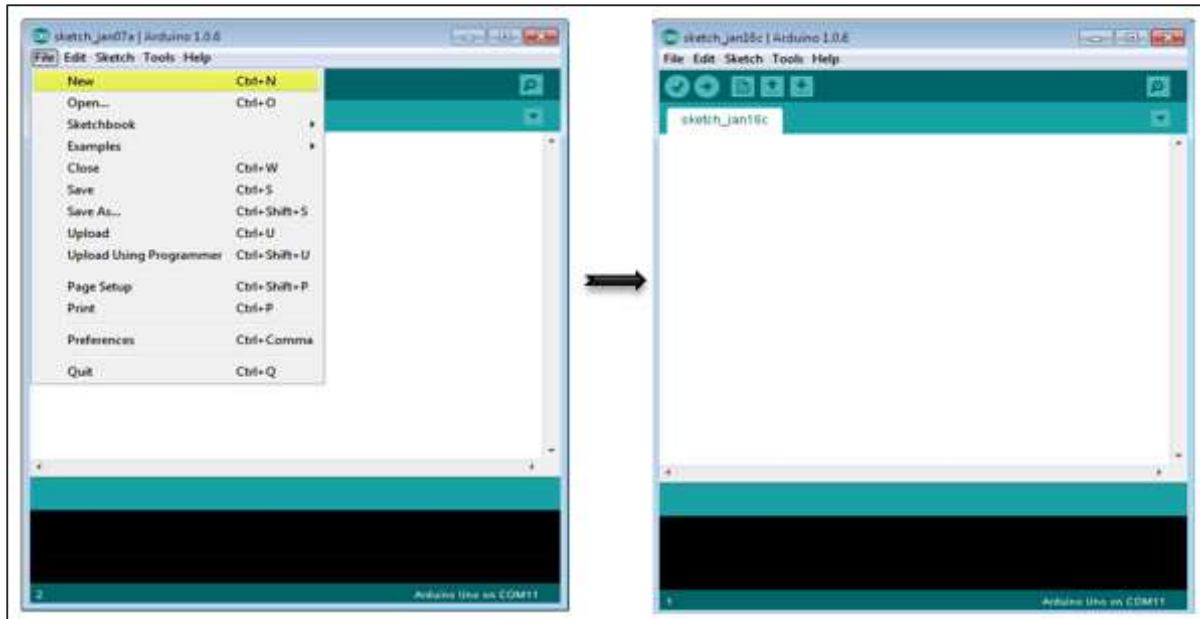
Procedure

Follow the circuit diagram and make the connections as shown in the image given below.

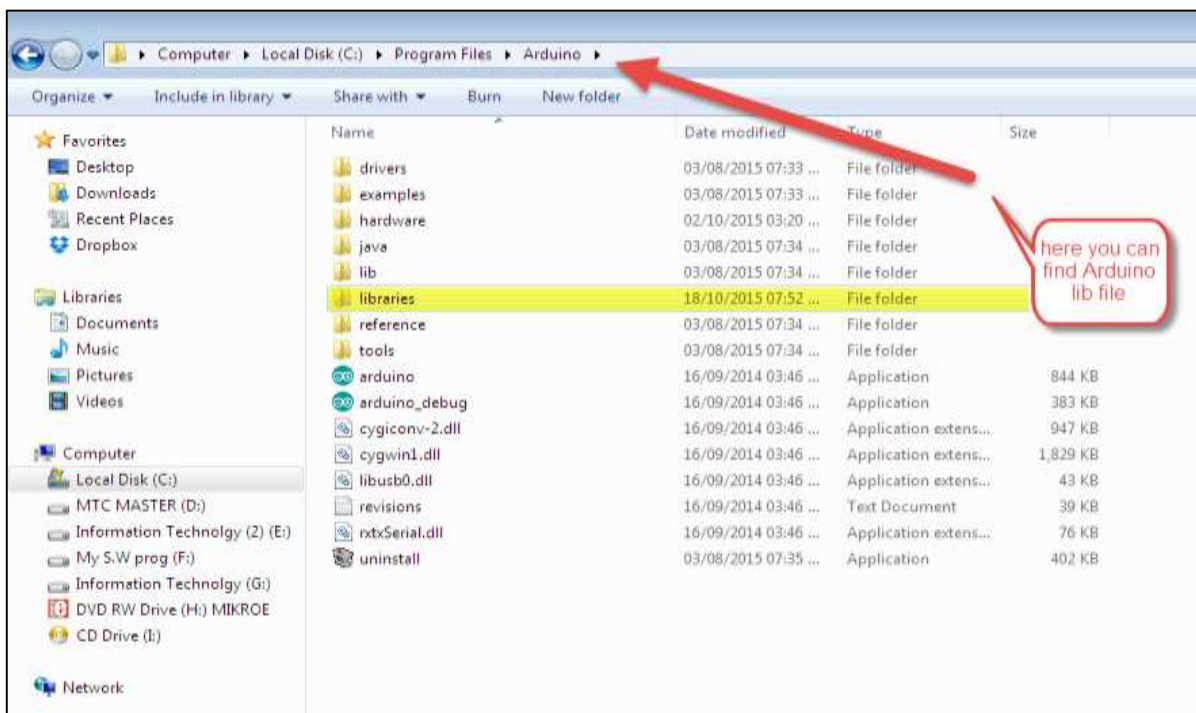


Sketch

Open the Arduino IDE software on your computer. Coding in the Arduino language will control your circuit. Open a new sketch File by clicking New.



Note: You must include the keypad library in your Arduino library file. Copy and paste the VirtualWire.lib file in the libraries folder as highlighted in the screenshot given below.



Arduino Code for Transmitter

```
//simple Tx on pin D12
#include <VirtualWire.h>
char *controller;
void setup() {
    pinMode(13,OUTPUT);
```

```

vw_set_ptt_inverted(true);
vw_set_tx_pin(12);
vw_setup(4000); // speed of data transfer Kbps
}
void loop()
{
controller="1" ;
vw_send((uint8_t *)controller, strlen(controller));
vw_wait_tx(); // Wait until the whole message is gone
digitalWrite(13,1);
delay(2000);
controller="0" ;
vw_send((uint8_t *)controller, strlen(controller));
vw_wait_tx(); // Wait until the whole message is gone
digitalWrite(13,0);
delay(2000);
}

```

Code to Note

This is a simple code. First, it will send character '1' and after two seconds it will send character '0' and so on.

Arduino Code for Receiver

```

//simple Rx on pin D12
#include <VirtualWire.h>
void setup()
{
vw_set_ptt_inverted(true); // Required for DR3100
vw_set_rx_pin(12);
vw_setup(4000); // Bits per sec
pinMode(5, OUTPUT);
vw_rx_start(); // Start the receiver PLL running
}
void loop()
{
uint8_t buf[VW_MAX_MESSAGE_LEN];

```

```
uint8_t buflen = VW_MAX_MESSAGE_LEN;
if (vw_get_message(buf, &buflen) // Non-blocking
{
    if(buf[0]=='1'){
digitalWrite(5,1);
    }
    if(buf[0]=='0'){
digitalWrite(5,0);
    }
}
}
```

Code to Note

The LED connected to pin number 5 on the Arduino board is turned ON when character '1' is received and turned OFF when character '0' received.

46. Arduino – Network Communication

The CC3000 WiFi module from Texas Instruments is a small silver package, which finally brings easy-to-use, affordable WiFi functionality to your Arduino projects.

It uses SPI for communication (not UART!) so you can push data as fast as you want or as slow as you want. It has a proper interrupt system with IRQ pin so you can have asynchronous connections. It supports 802.11b/g, open/WEP/WPA/WPA2 security, TKIP & AES. A built-in TCP/IP stack with a "BSD socket" interface supports TCP and UDP in both the client and the server mode.



Components Required

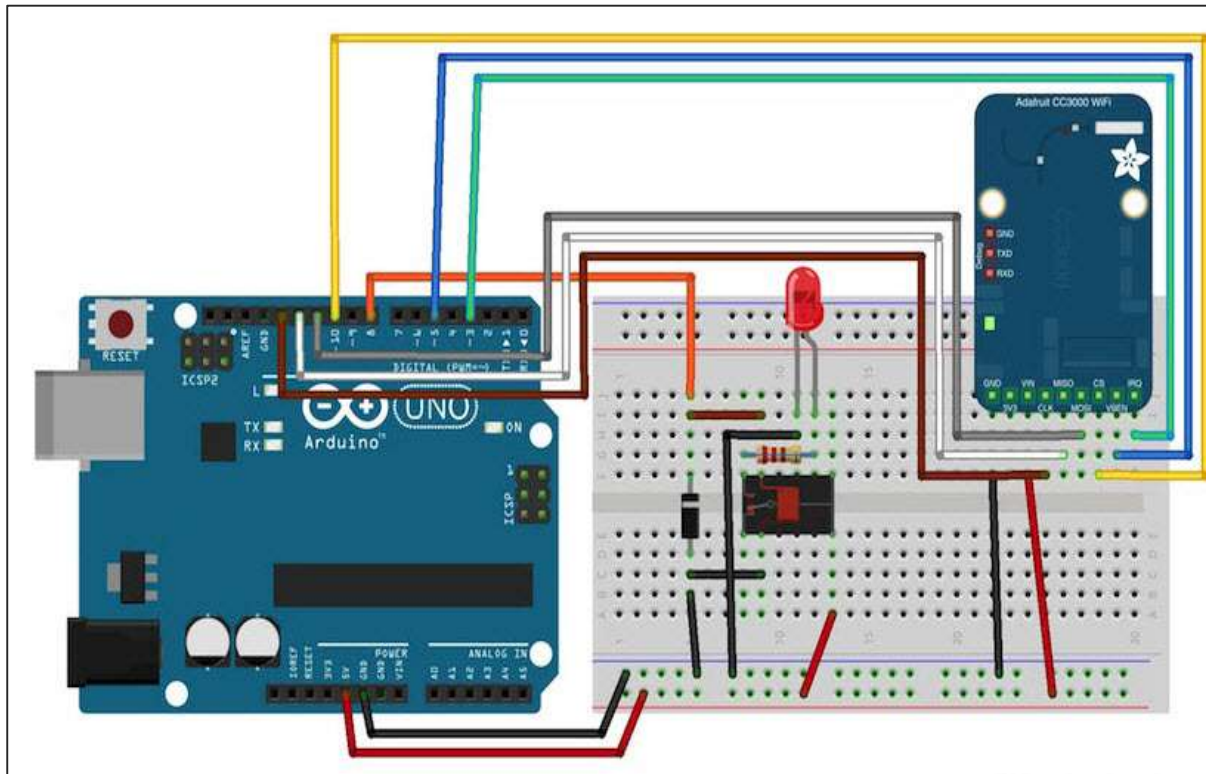
You will need the following components:

- 1xArduino Uno
- 1x Adafruit CC3000 breakout board
- 1x5V relay
- 1xRectifier diode
- 1x LED
- 1x220 Ohm resistor
- 1xBreadboard and some jumper wires

For this project, you just need the usual Arduino IDE, the Adafruit's CC3000 library, and the CC3000 MDNS library. We are also going to use the aREST library to send commands to the relay via WiFi.

Procedure

Follow the circuit diagram and make the connections as shown in the image given below.



The hardware configuration for this project is very easy.

- Connect the IRQ pin of the CC3000 board to pin number 3 of the Arduino board.
- VBAT to pin 5, and CS to pin 10.
- Connect the SPI pins to Arduino board: MOSI, MISO, and CLK to pins 11, 12, and 13, respectively.
- V_{in} is connected to Arduino 5V, and GND to GND.

Let us now connect the relay.

After placing the relay on the breadboard, you can start identifying the two important parts on your relay: the coil part which commands the relay, and the switch part where we will attach the LED.

- First, connect pin number 8 of Arduino board to one pin of the coil.
- Connect the other pin to the ground of Arduino board.

You also have to place the rectifier diode (anode connected to the ground pin) over the pins of the coil to protect your circuit when the relay is switching.

- Connect the +5V of Arduino board to the common pin of the relay's switch.

- Finally, connect one of the other pin of the switch (usually, the one which is not connected when the relay is off) to the LED in series with the 220 Ohm resistor, and connect the other side of the LED to the ground of Arduino board.

Testing Individual Components

You can test the relay with the following sketch:

```
const int relay_pin = 8; // Relay pin

void setup()
{
  Serial.begin(9600);
  pinMode(relay_pin,OUTPUT);
}

void loop()
{
  // Activate relay
  digitalWrite(relay_pin, HIGH);
  // Wait for 1 second
  delay(1000);
  // Deactivate relay
  digitalWrite(relay_pin, LOW);
  // Wait for 1 second
  delay(1000);
}
```

Code to Note

The code is self-explanatory. You can just upload it to the board and the relay will switch states every second, and the LED will switch ON and OFF accordingly.

Adding WiFi Connectivity

Let us now control the relay wirelessly using the CC3000 WiFi chip. The software for this project is based on the TCP protocol. However, for this project, Arduino board will be running a small web server, so we can "listen" for commands coming from the computer. We will first take care of Arduino sketch, and then we will see how to write the server-side code and create a nice interface.

First, the Arduino sketch. The goal here is to connect to your WiFi network, create a web server, check if there are incoming TCP connections, and then change the state of the relay accordingly.

Important Parts of the Code

```
#include <Adafruit_CC3000.h>
#include <SPI.h>
#include <CC3000_MDNS.h>
#include <Ethernet.h>
#include <aREST.h>
```

You need to define inside the code what is specific to your configuration, i.e. Wi-Fi name and password, and the port for TCP communications (we have used 80 here).

```
// WiFi network (change with your settings!)
#define WLAN_SSID "yourNetwork" // cannot be longer than 32 characters!
#define WLAN_PASS "yourPassword"
#define WLAN_SECURITY WLAN_SEC_WPA2 // This can be WLAN_SEC_UNSEC,
WLAN_SEC_WEP, WLAN_SEC_WPA or WLAN_SEC_WPA2
// The port to listen for incoming TCP connections
#define LISTEN_PORT 80
```

We can then create the CC3000 instance, server and aREST instance:

```
// Server instance
Adafruit_CC3000_Server restServer(LISTEN_PORT); // DNS responder instance
MDNSResponder mdns; // Create aREST instance
aREST rest = aREST();
```

In the setup() part of the sketch, we can now connect the CC3000 chip to the network:

```
cc3000.connectToAP(WLAN_SSID, WLAN_PASS, WLAN_SECURITY);
```

How will the computer know where to send the data? One way would be to run the sketch once, then get the IP address of the CC3000 board, and modify the server code again. However, we can do better, and that is where the CC3000 MDNS library comes into play. We will assign a fixed name to our CC3000 board with this library, so we can write down this name directly into the server code.

This is done with the following piece of code:

```
if (!mdns.begin("arduino", cc3000))
{
    while(1);
}
```

We also need to listen for incoming connections.

```
restServer.begin();
```

Next, we will code the loop() function of the sketch that will be continuously executed. We first have to update the mDNS server.

```
mdns.update();
```

The server running on Arduino board will wait for the incoming connections and handle the requests.

```
Adafruit_CC3000_ClientRef client = restServer.available();
rest.handle(client);
```

It is now quite easy to test the projects via WiFi. Make sure you updated the sketch with your own WiFi name and password, and upload the sketch to your Arduino board. Open your Arduino IDE serial monitor, and look for the IP address of your board.

Let us assume for the rest here that it is something like 192.168.1.103.

Then, simply go to your favorite web browser, and type:

```
192.168.1.103/digital/8/1
```

You should see that your relay automatically turns ON.

Building the Relay Interface

We will now code the interface of the project. There will be two parts here: an HTML file containing the interface, and a client-side Javascript file to handle the clicks on the interface. The interface here is based on the **aREST.js** project, which was made to easily control WiFi devices from your computer.

Let us first see the HTML file, called interface.html. The first part consists importing all the required libraries for the interface:

```
<head>
<meta charset=utf-8 />
<title> Relay Control </title>
<link rel="stylesheet" type="text/css"
href="https://maxcdn.bootstrapcdn.com/bootstrap/3.3.4/css/bootstrap.min.css">
  <link rel="stylesheet" type="text/css" href="style.css">
  <script type="text/javascript" src="https://code.jquery.com/jquery-
2.1.4.min.js"></script>
  <script type="text/javascript"
src="https://cdn.rawgit.com/Foliotek/AjaxQ/master/ajaxq.js"></script>
  <script type="text/javascript"
src="https://cdn.rawgit.com/marcoschwartz/aREST.js/master/aREST.js"></script>
  <script type="text/javascript" src="script.js"></script>
```

```
</head>
```

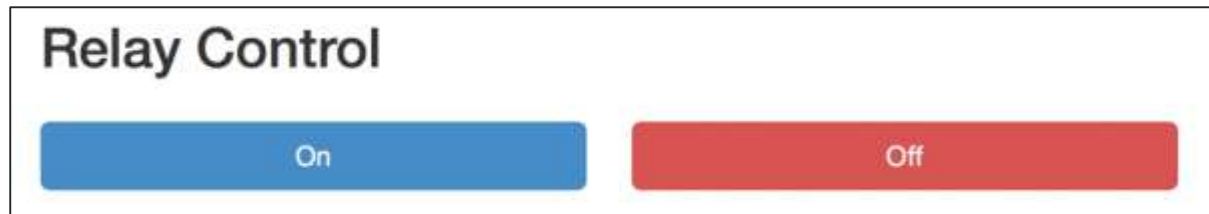
Then, we define two buttons inside the interface, one to turn the relay on, and the other to turn it off again.

```
<div class='container'>
  <h1>Relay Control</h1>
  <div class='row'>
    <div class="col-md-1">Relay</div>
    <div class="col-md-2">
      <button id='on' class='btn btn-block btn-success'>On</button>
    </div>
    <div class="col-md-2">
      <button id='off' class='btn btn-block btn-danger'>On</button>
    </div>
  </div>
</div>
```

Now, we also need a client-side Javascript file to handle the clicks on the buttons. We will also create a device that we will link to the mDNS name of our Arduino device. If you changed this in Arduino code, you will need to modify it here as well.

```
// Create device
var device = new Device("arduino.local");
// Button
$('#on').click(function() {
  device.digitalWrite(8, 1);
});
$('#off').click(function() {
  device.digitalWrite(8, 0);
});
```

The complete code for this project can be found on the **GitHub** repository. Go into the interface folder, and simply open the HTML file with your favorite browser. You should see something similar inside your browser:



Try to click a button on the web interface; it should change the state of the relay nearly instantly.

If you managed to get it working, bravo! You just built a Wi-Fi-controlled light switch. Of course, you can control much more than lights with this project. Just make sure your relay supports the power required for the device you want to control, and you are good to go.